



Assembly Instruction

ITEM#: 1575 - 5 DRESSER

1575 - 6 MIRROR

PART LIST

1	DRESSER	1 PC
2	MIRROR	1 PC
3	MIRROR SUPPORT	2 PCS

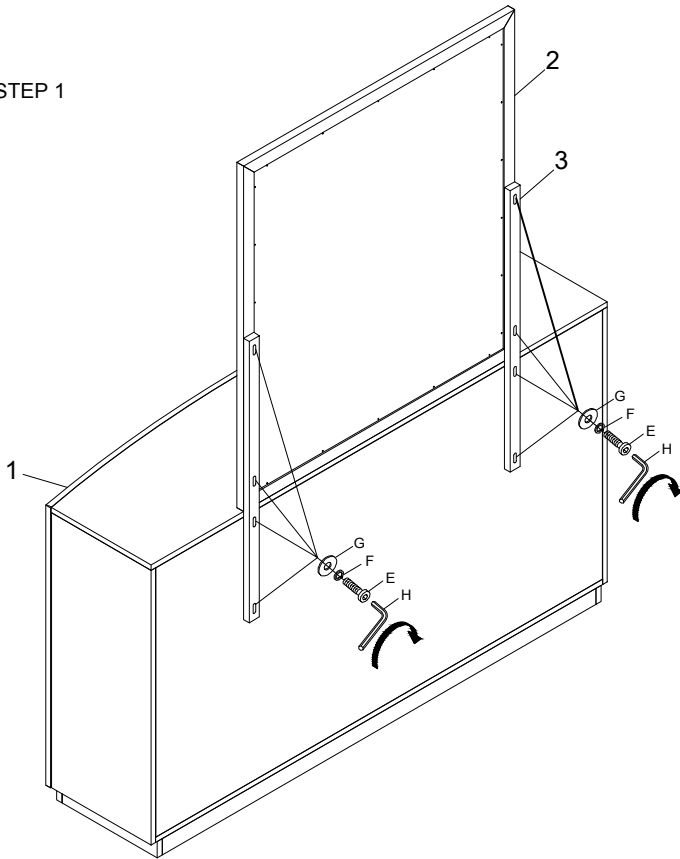
ANTI-TIPPING HARDWARE PACK

A		BRACKET	2 PCS
B		TIE WRAP	1 PC
C		LONG SCREW #8x2"L	1 PC
D		SHORT SCREW #8x5/8"L	1 PC

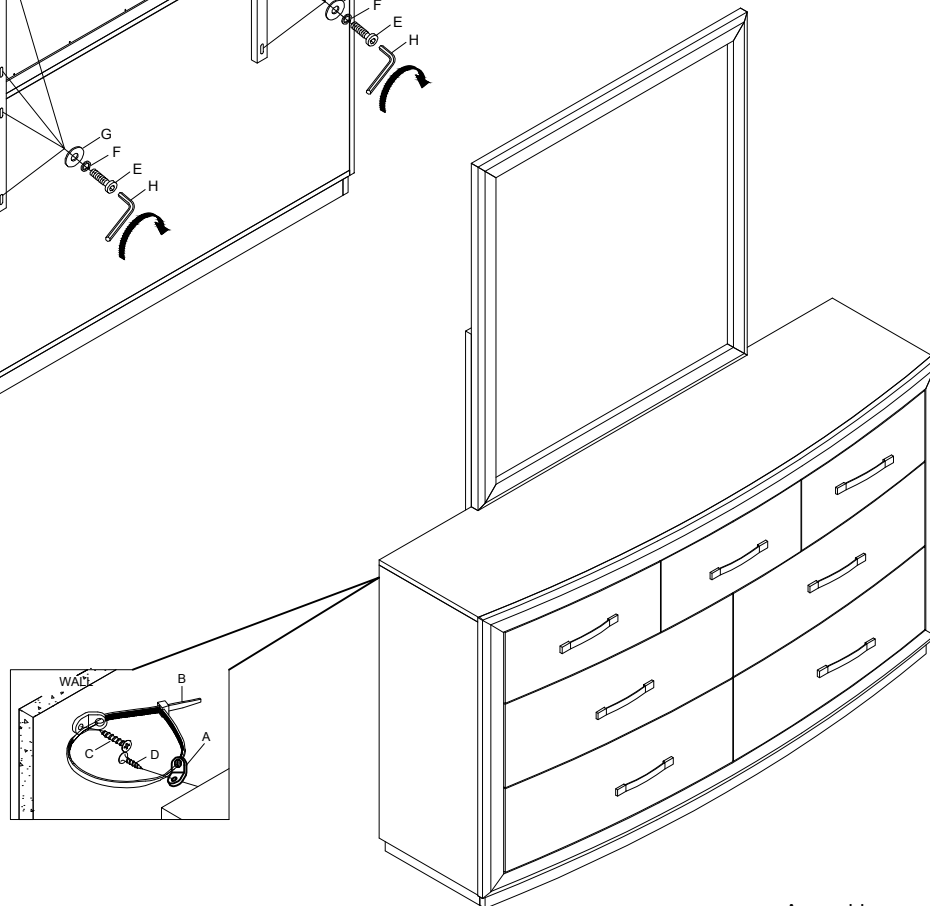
HARDWARE LIST IN -6

E		BOLT $\varnothing 1/4 \times 1 1/2$ "L	8 PCS
F		SPRING WASHER $\varnothing 1/2 \times \varnothing 1/4$ "	8 PCS
G		FLAT WASHER $\varnothing 3/4 \times \varnothing 1/4$ "	8 PCS
H		ALLEN KEY 1/4"	1 PC

STEP 1



STEP 2



Assembly completed



**For items use on wooden floor hard surfaces or carpets
It is recommended to install protective pads under all legs and supports
to avoid/prevent from damages/scratches and discoloration**

MADE IN VIETNAM