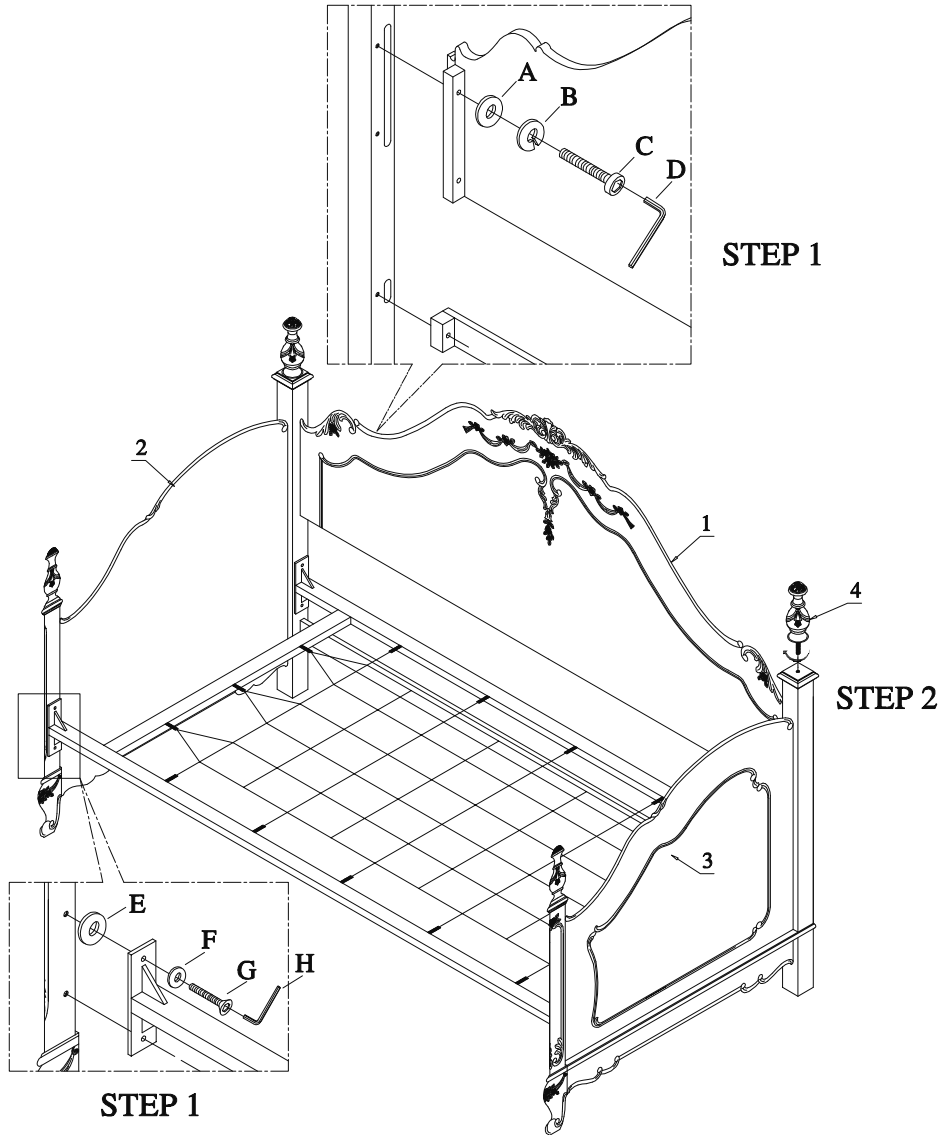




H O M E E L E G A N C E

MODEL: 1386DNW DAYBED ARMS  
1386DNW-1 DAYBED BACK PANEL



**HARDWARE LIST OF 1386DNW-1**

NO.	DRAWING	Q 'TY	DESCRIPTION
A		6	Φ5/16"*19MM FLAT WASHER
B		6	Φ5/16" LOCK WASHER
C		6	Φ5/16*2" BOLT
D		1	5MM ALLEN WRENCH
E		8	RUBBER RINGS
F		8	Φ1/4" LOCK WASHER
G		8	Φ1/4"*1" LBOLT
H		1	4MM ALLEN WRENCH

**PARTS LIST**

1	BACK PANEL	1 PC
2	LSF ARM	1 PC
3	RSF ARM	2 PCS
4	FINIAL	4 PCS