

ASSEMBLY INSTRUCTIONS INSTRUCTIONS D'ASSEMBLAGE





ITEM NO. :1162GY/1162BR-5




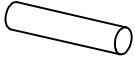
Chaise / Chaise Longue

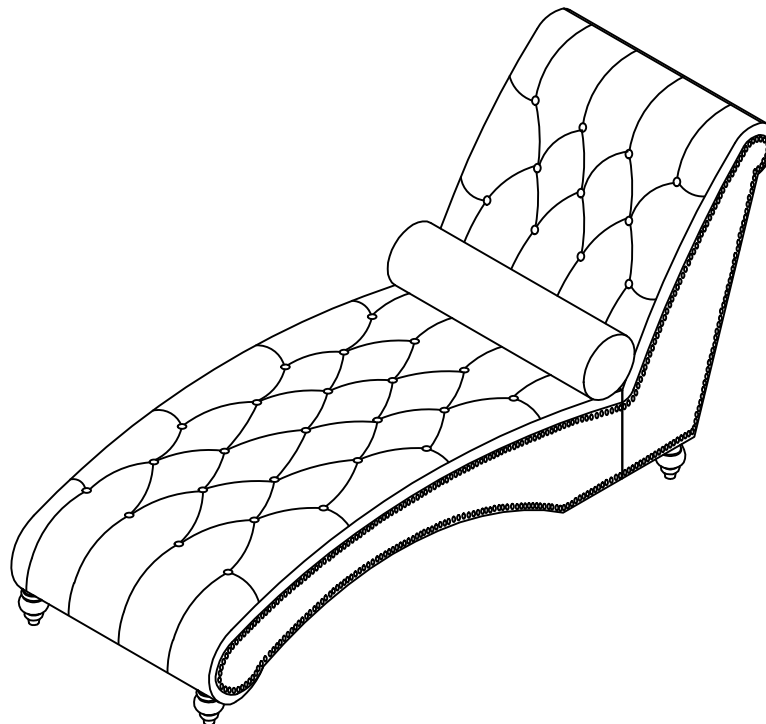
▲ It is recommended to install protective pads under all legs and supports to avoid damage or scratches when placing furniture on a wood floor or other hard surface, and to limit indentation and prevent discoloration if placing on carpet.

▲ Il est recommandé de placer des coussins protecteurs sous tous les pieds et toutes les bases des meubles pour éviter d'endommager ou d'égratigner les planchers en bois ou autres surfaces dures, et pour limiter l'empreinte et empêcher la décoloration quand les meubles reposent sur la moquette.

HARDWARE LIST/ LISTE DE QUINCAILLERIE PARTS LIST/ LISTE DE PIÉCES

No.	DESCRIPTION	SKETCH	SIZE	QTY
A	BOLT		Ø5/16" x 55mmL	4 PCS
B	SPRING WASHER		Ø5/16"	4 PCS
C	FLAT WASHER		Ø5/16" x 19mm	4 PCS
D	ALLEN KEY		4mm	1 PC

NO.	DESCRIPTION	DRAWING	QTY
1	BACK REST		1 PC
2	SEAT		1 PC
3	BUN FOOT		4 PCS
4	PILLOW		1 PC

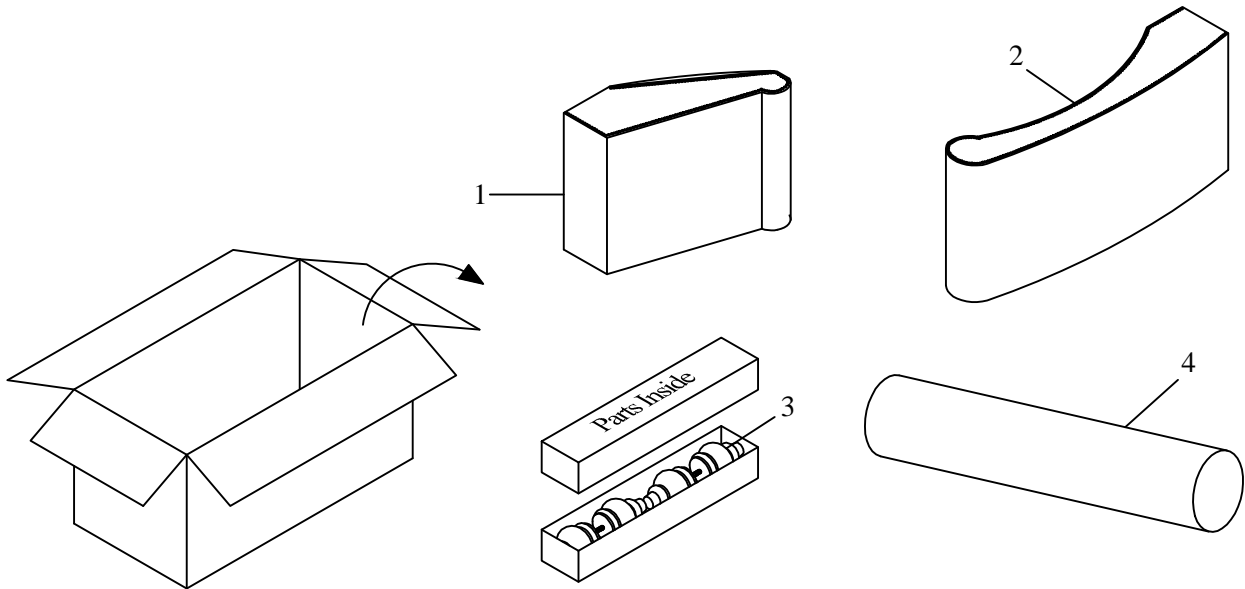


Assembly Completed

ASSEMBLY INSTRUCTIONS INSTRUCTIONS D'ASSEMBLAGE

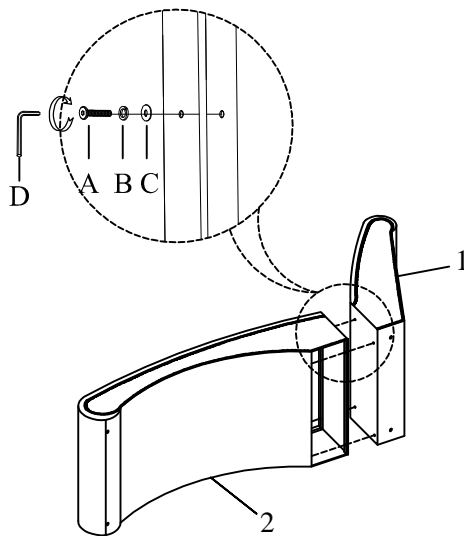
ITEM NO. :1162GY/1162BR-5
Chaise / Chaise Longue

* Please remove all parts from carton before assembly.



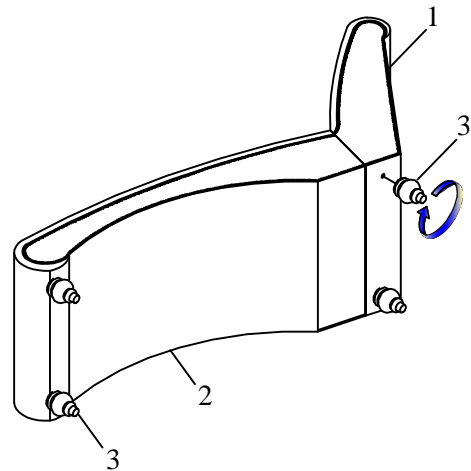
STEP 1/ ÉTAPE 1:

Attach Seat (2) to Back Rest (1) by using Bolt (A), Spring Washer (B), Flat Washer (C) and Allen Key (D).



STEP 2/ ÉTAPE 2:

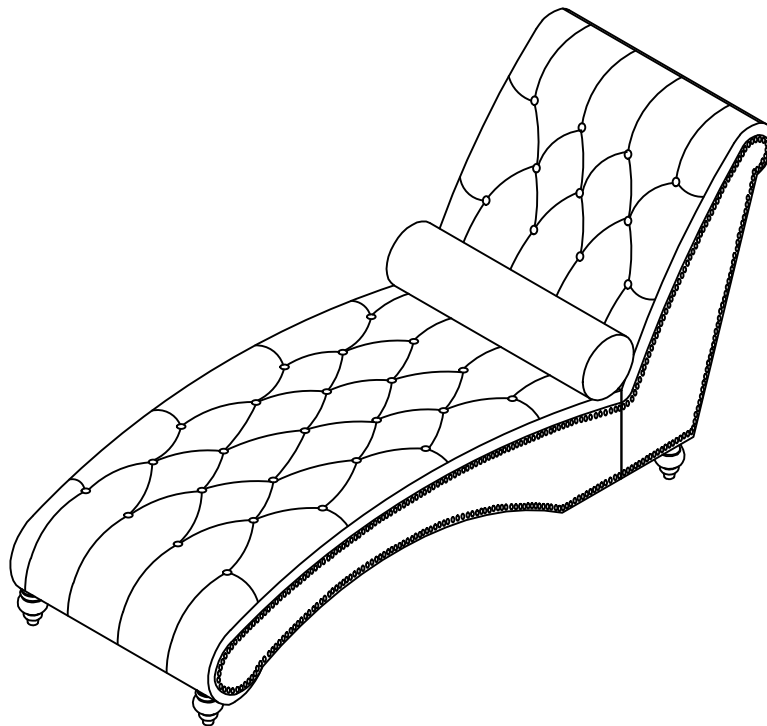
Attach Bun Foot (3) to Seat (2) and Back Rest (1). Rotate to tighten it.



ASSEMBLY INSTRUCTIONS INSTRUCTIONS D'ASSEMBLAGE

ITEM NO. :1162GY/1162BR-5
Chaise / Chaise Longue

Assembly Completed



CARE INSTRUCTION FOR FABRIC FURNITURE

In order to maintain the original appearance of your fabric furniture, please follow below care procedures:

• Avoid exposing furniture directly to sunlight or heating and air conditioning outlets. Sunlight and / or exposure to heating and air conditioning outlets will fade/damage fabric. Do not place your upholstered furniture too close to windows, radiators, or vents and be sure to use window treatments to block the sun's rays.

• Use soft brush to remove dust.