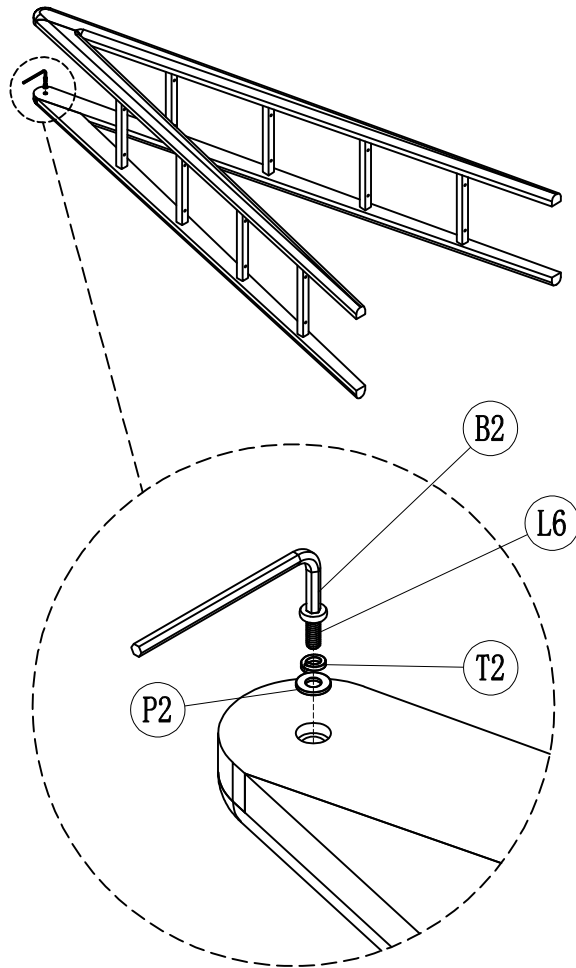
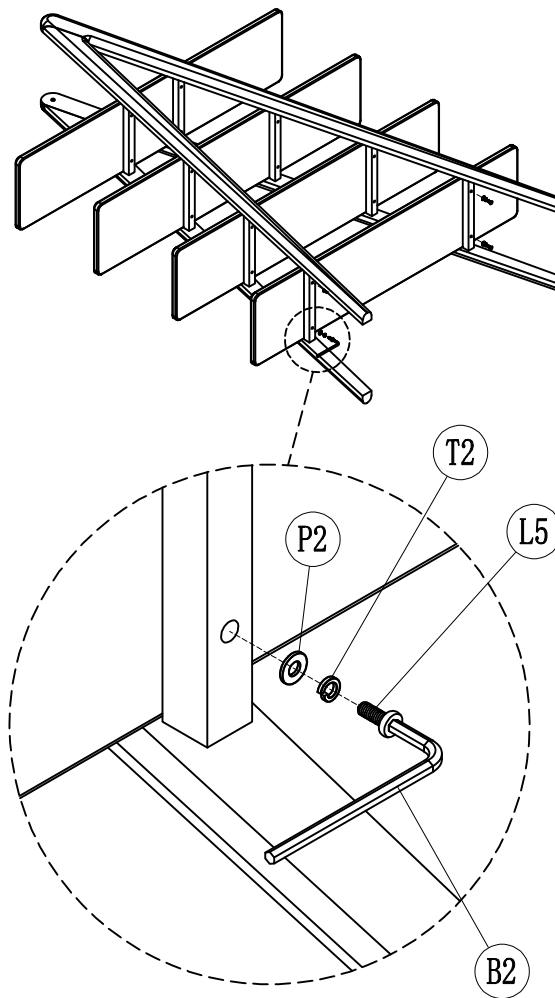


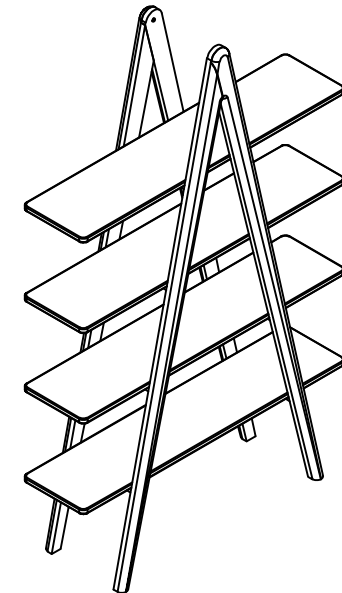
# Assembly Instruction








Step 1



Step 2



Step 3

	R5/16X16X1.5	18PCS		R5/16X30	2PCS
	R5/16X13X1.5	18PCS		M5	1PC
	R5/16X20	16PCS			