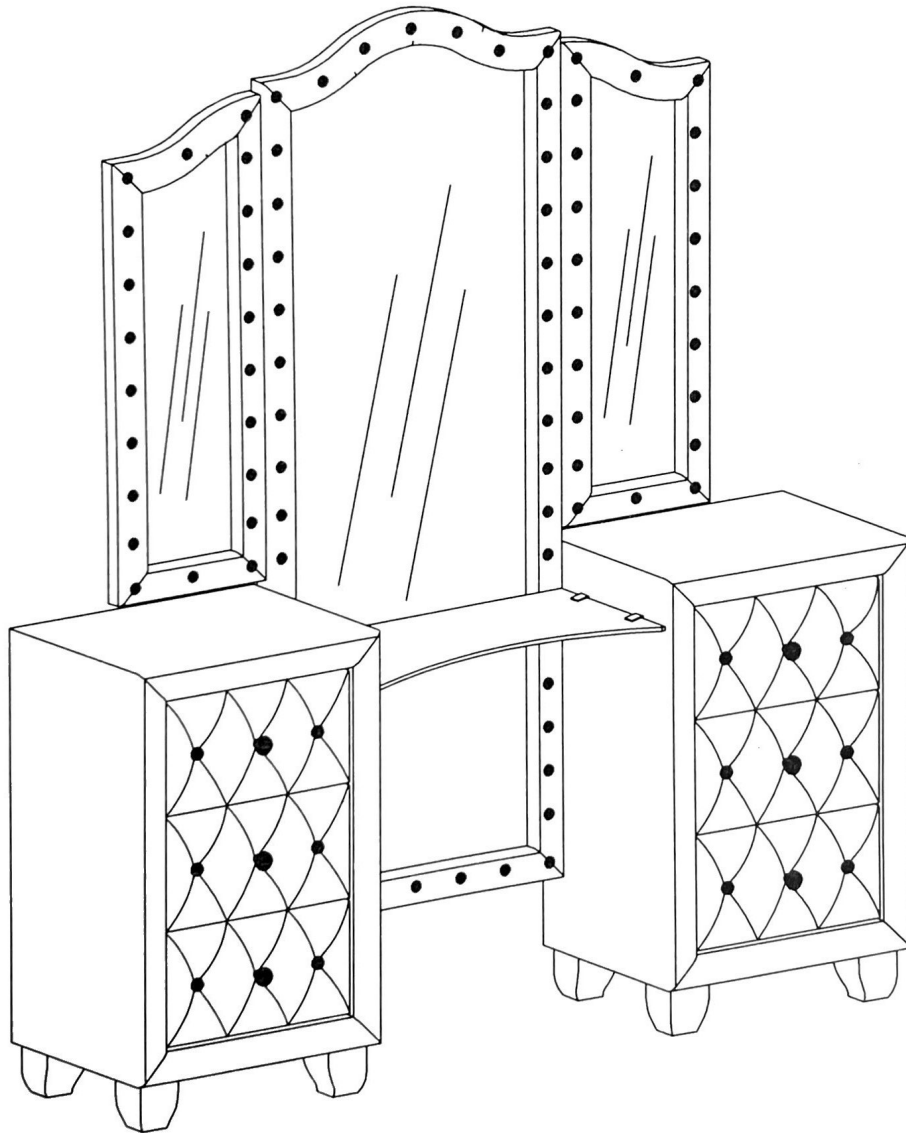


Assembly Instructions

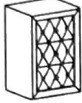
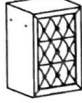






ITEM: F1979 VANITY











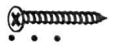
Assembly Instructions

ITEM: F1979 VANITY




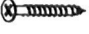
PARTS LIST

NO	DECS	PHOTO	Q'TY
A	Upholstery Vanity Desk (Left)		1 pc
B	Upholstery Vanity Desk (Right)		1 pc
C	Legs		8 pcs
D	Vanity Mirror center		1pc
E	Vanity Mirror side (left)		1 pc
F	Vanity Mirror side (Right)		1 pc
G	Support Rail		2 pcs
H	Glass shelf		1 pc

HARDWARE LIST

NO	DECS	PHOTO	Q'TY
1	Long Bolts Ø5/16" x 100mm		8 pcs
2	Spring washer		8 pcs
3	Flats washer		8 pcs
4	Bolts Ø1/4" x 40mm		12 pcs
5	Spring washer		12 pcs
6	Flats washer		12 pcs
7	Allen key 4mm		1 pc
8	Clamp the Glass 25x25x16mm		4 pcs
9	Screw		20 pcs

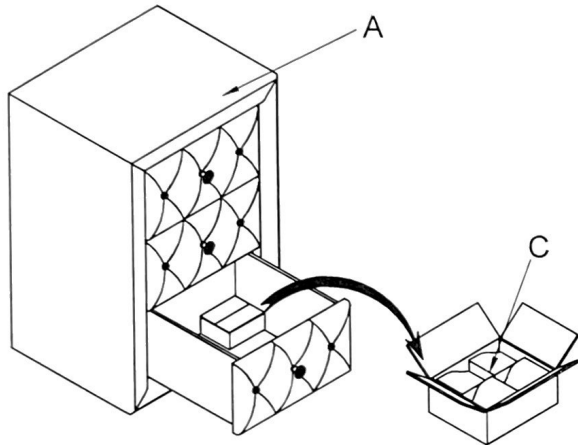
ANTI-TIP RES TRAI NT LIST

NO	COMPONENT		Q'TY
a	L Bracket		4pcs
b	Strap		2pcs
c	Long Screw		2pcs
d	Shot screw		2pcs

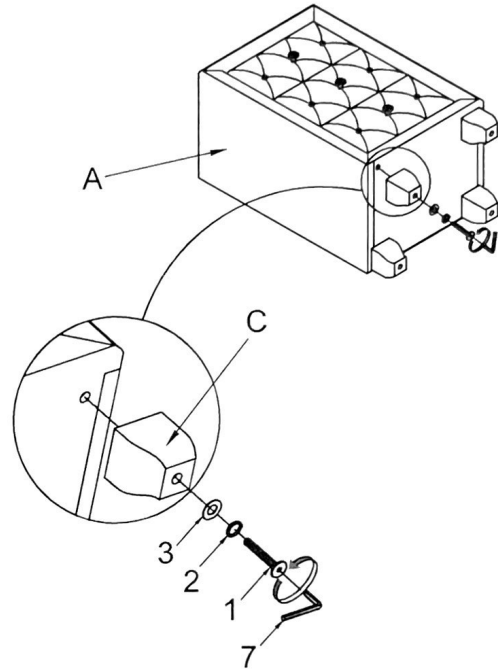
Assembly Instructions

ITEM: F1979 VANITY

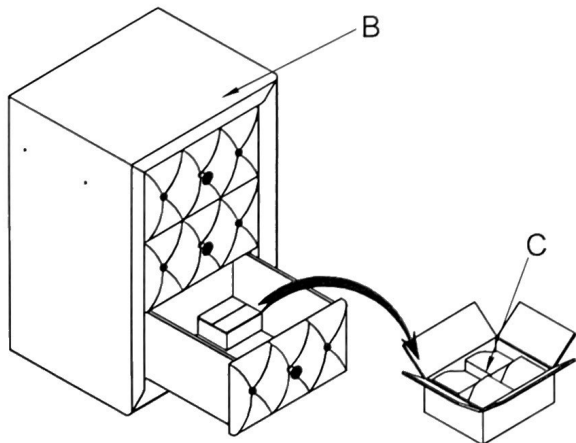
Step 1



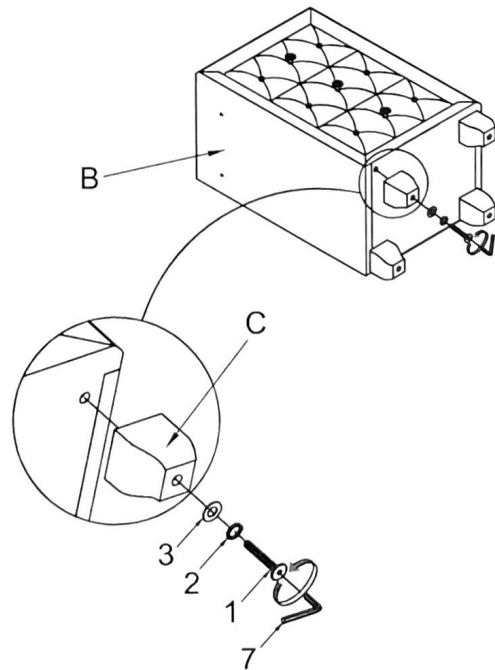
Step 2



Step 3



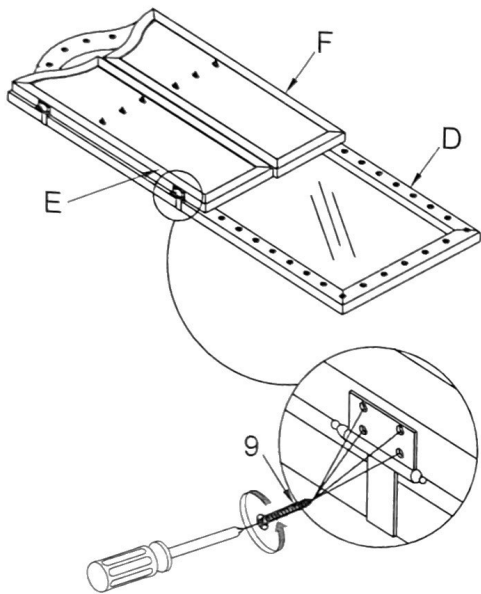
Step 4



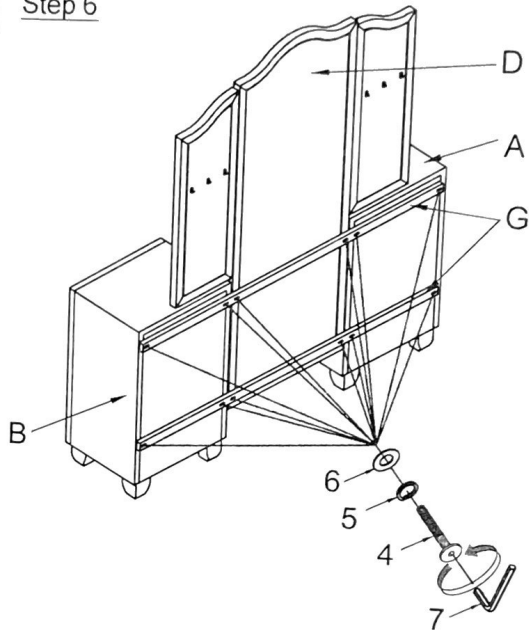
Assembly Instructions

ITEM: F1979 VANITY

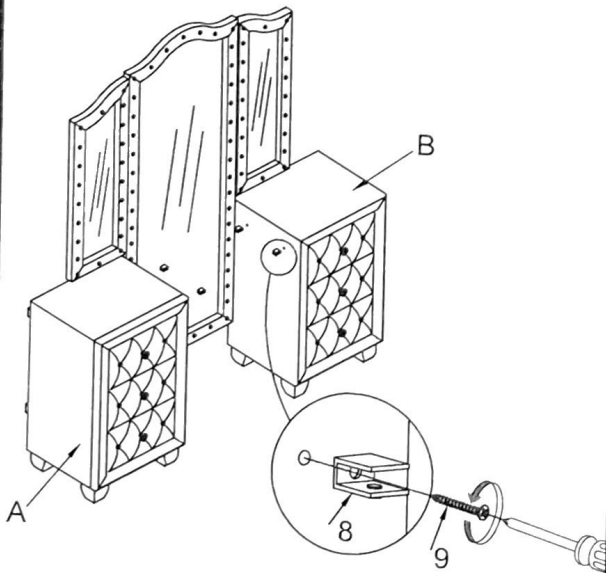
Step 5



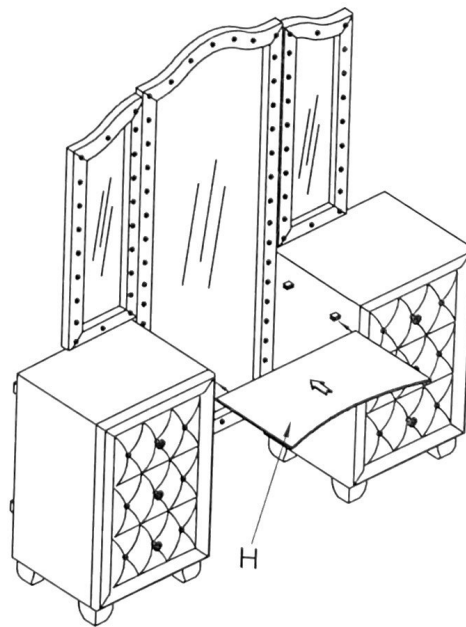
Step 6



Step 7



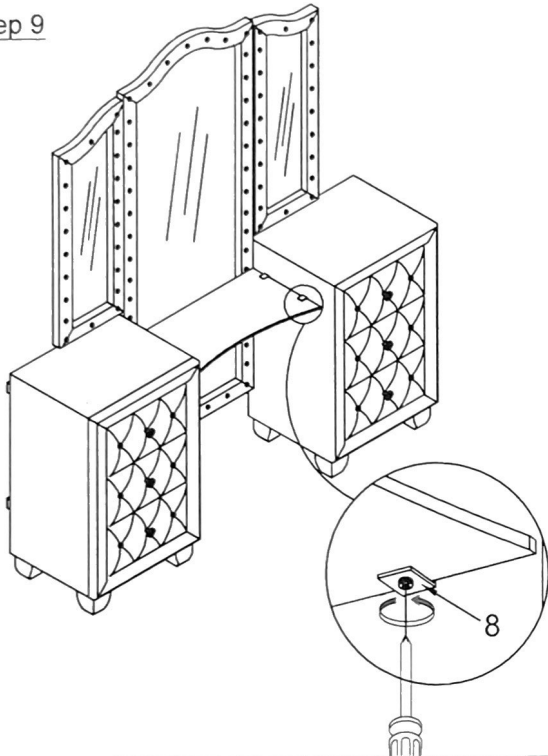
Step 8



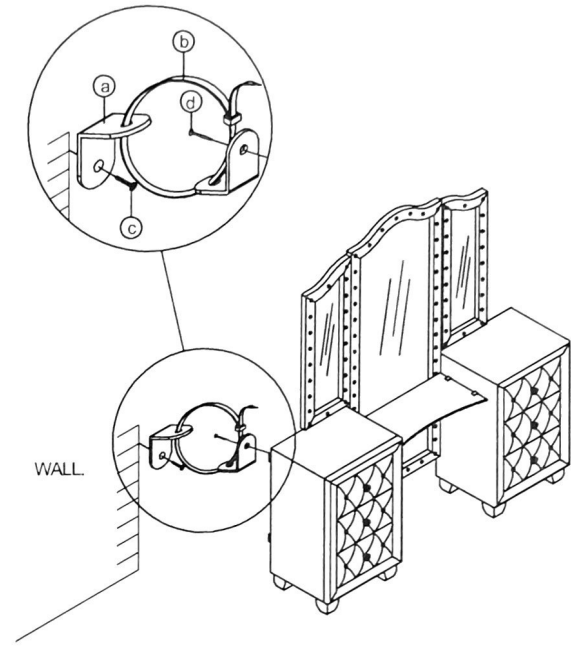
Assembly Instructions

ITEM: F1979 VANITY

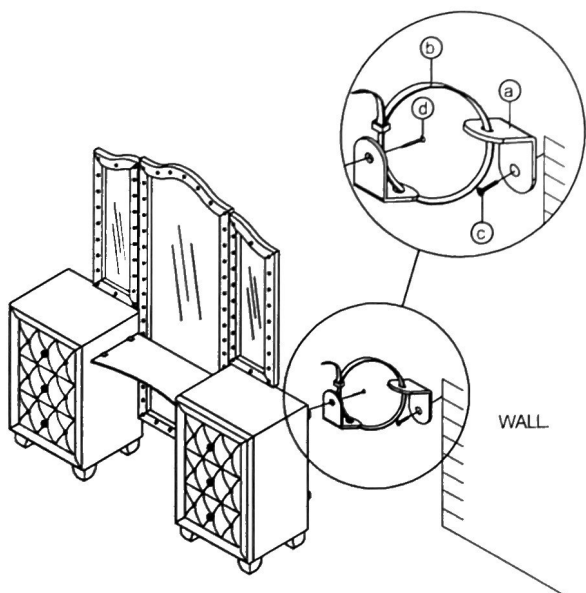
Step 9



Step 10



Step 11



Completed

