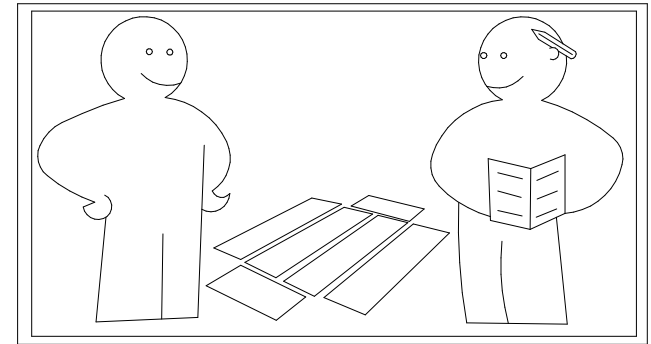
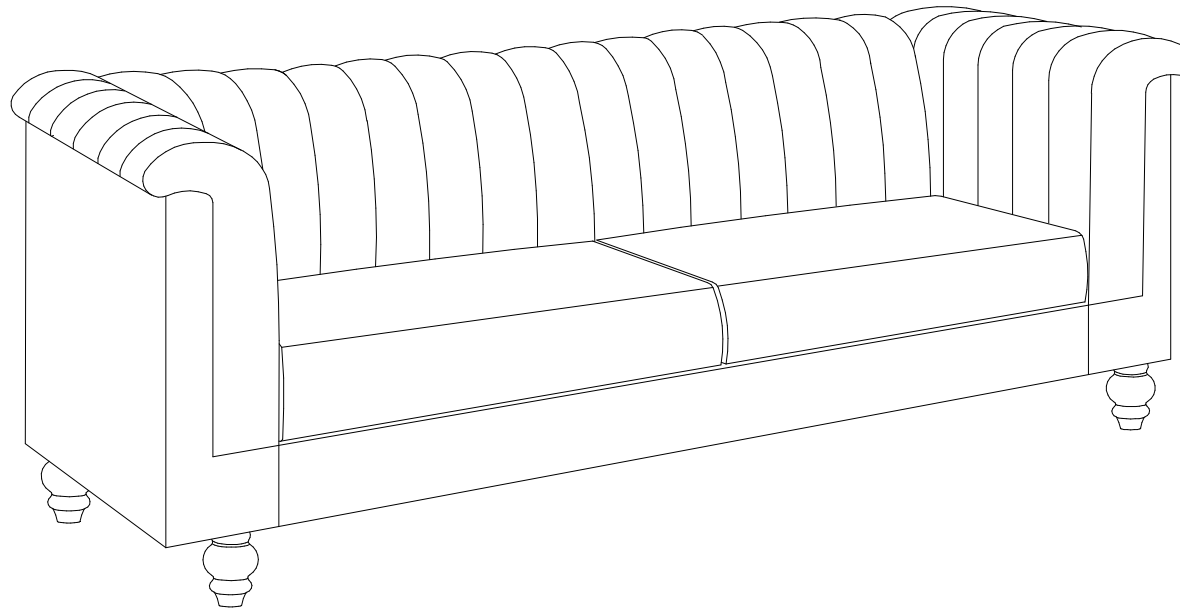


# ASSEMBLY INSTRUCTION

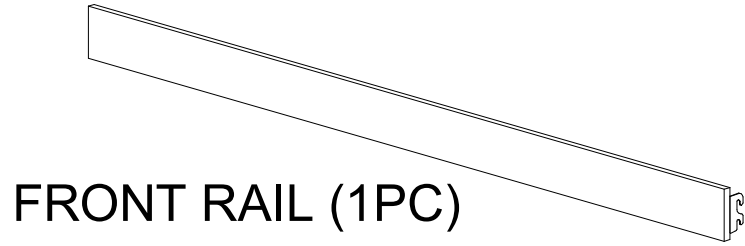


**Attention:**  
Two people are required for assembly and lifting unit.

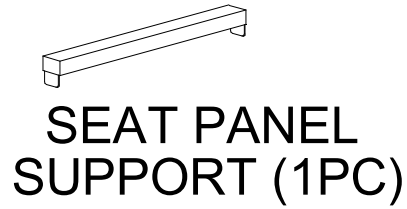


# ASSEMBLY PART

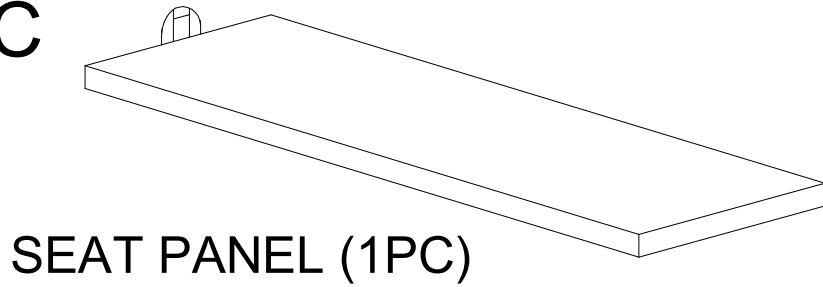
**A**



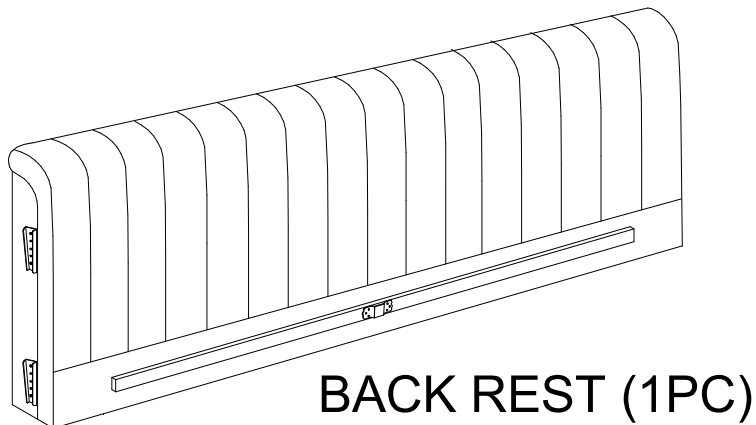
**B**



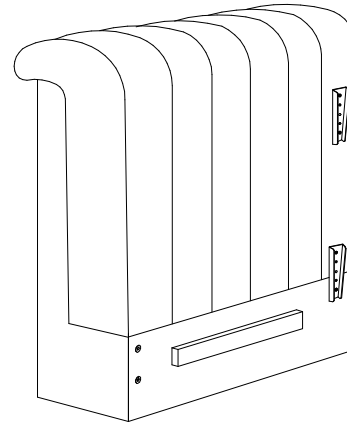
**C**



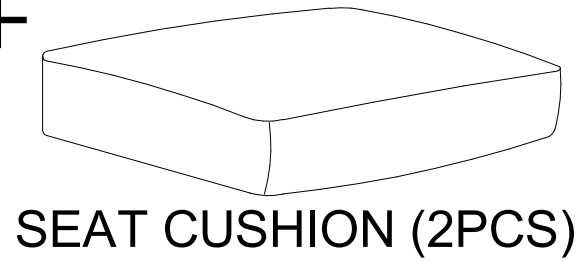
**H**



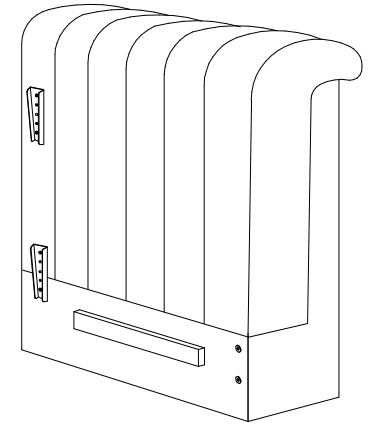
**D**



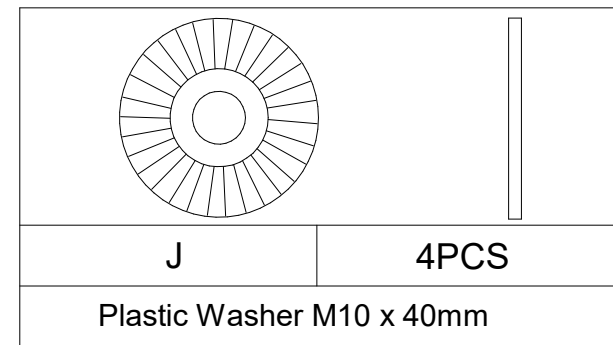
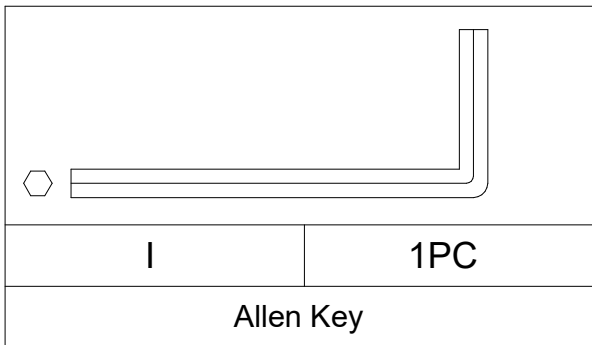
**F**



**E**



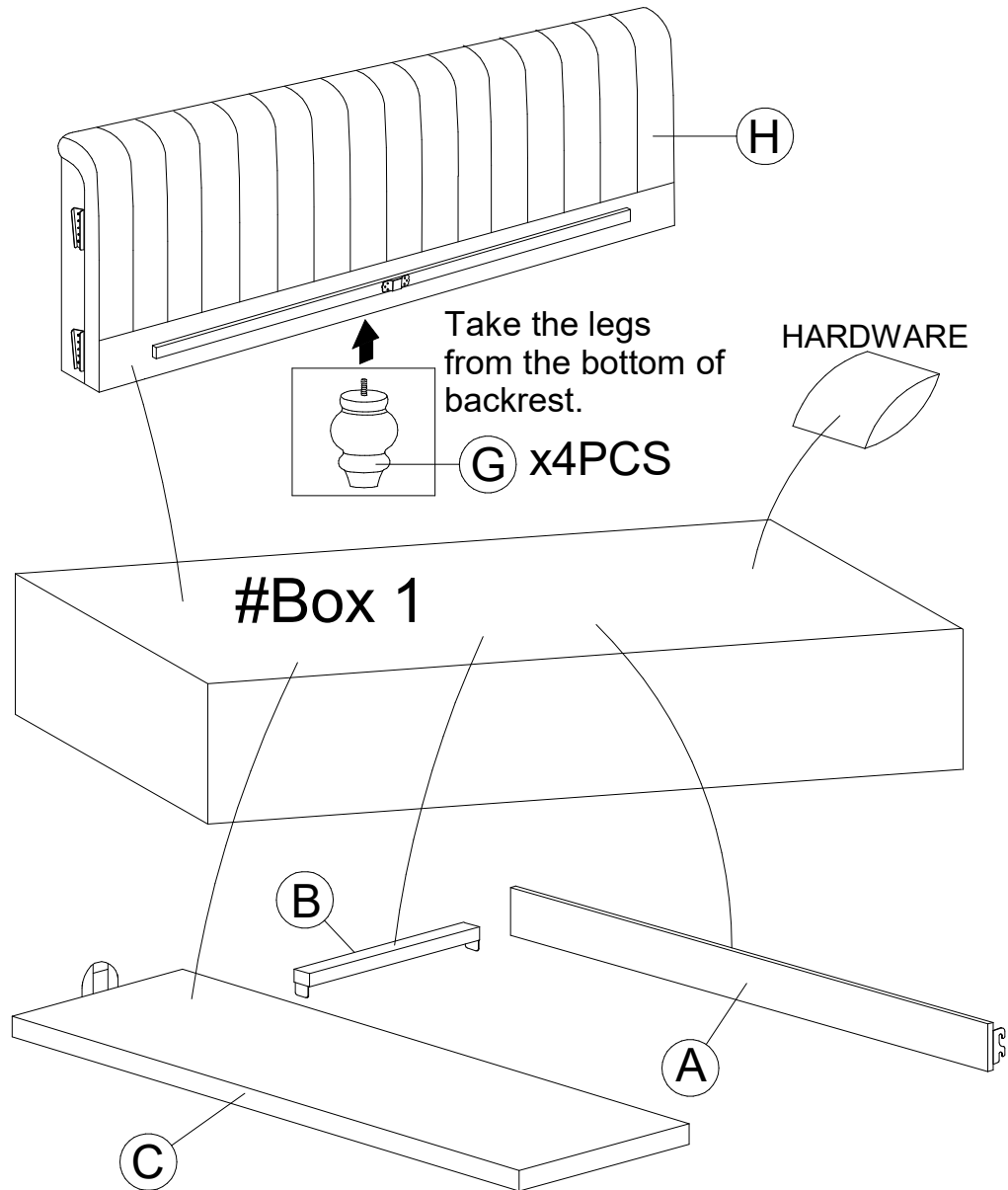
**G**



# BOX OPENING

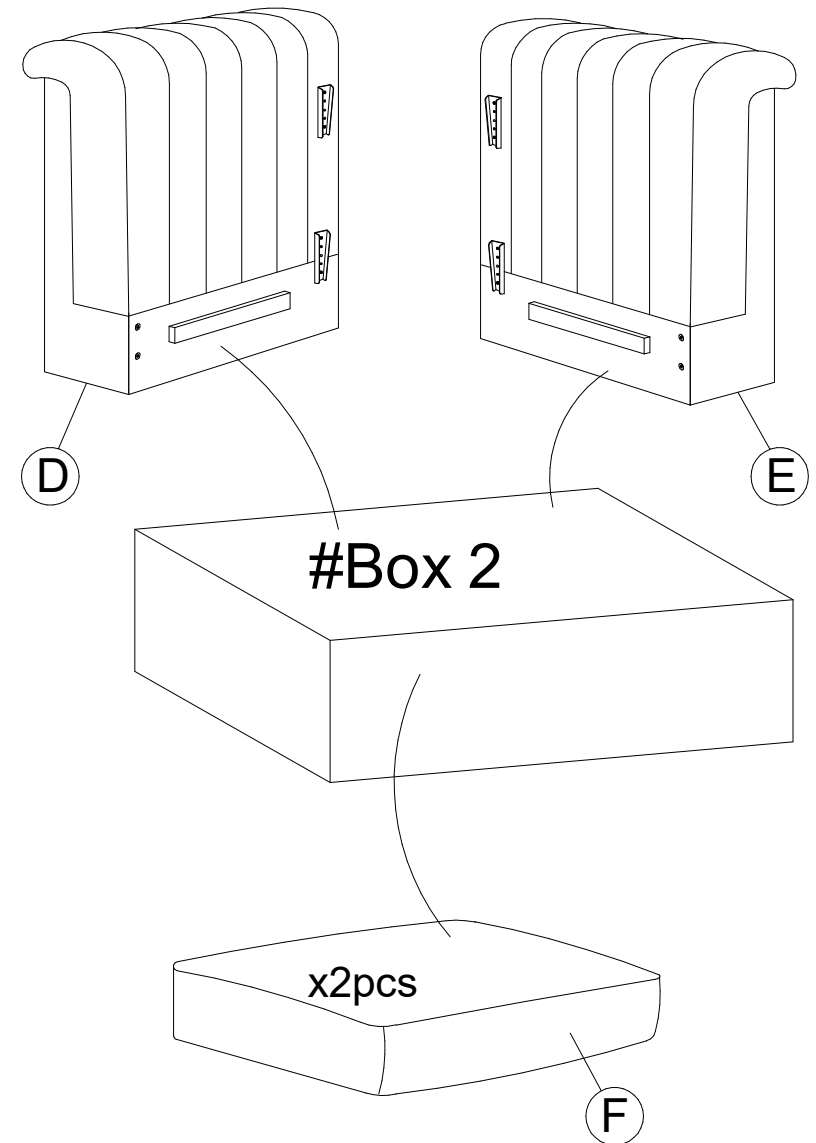
## Box Opening 1

Please remove all the part from box.



## Box Opening 2

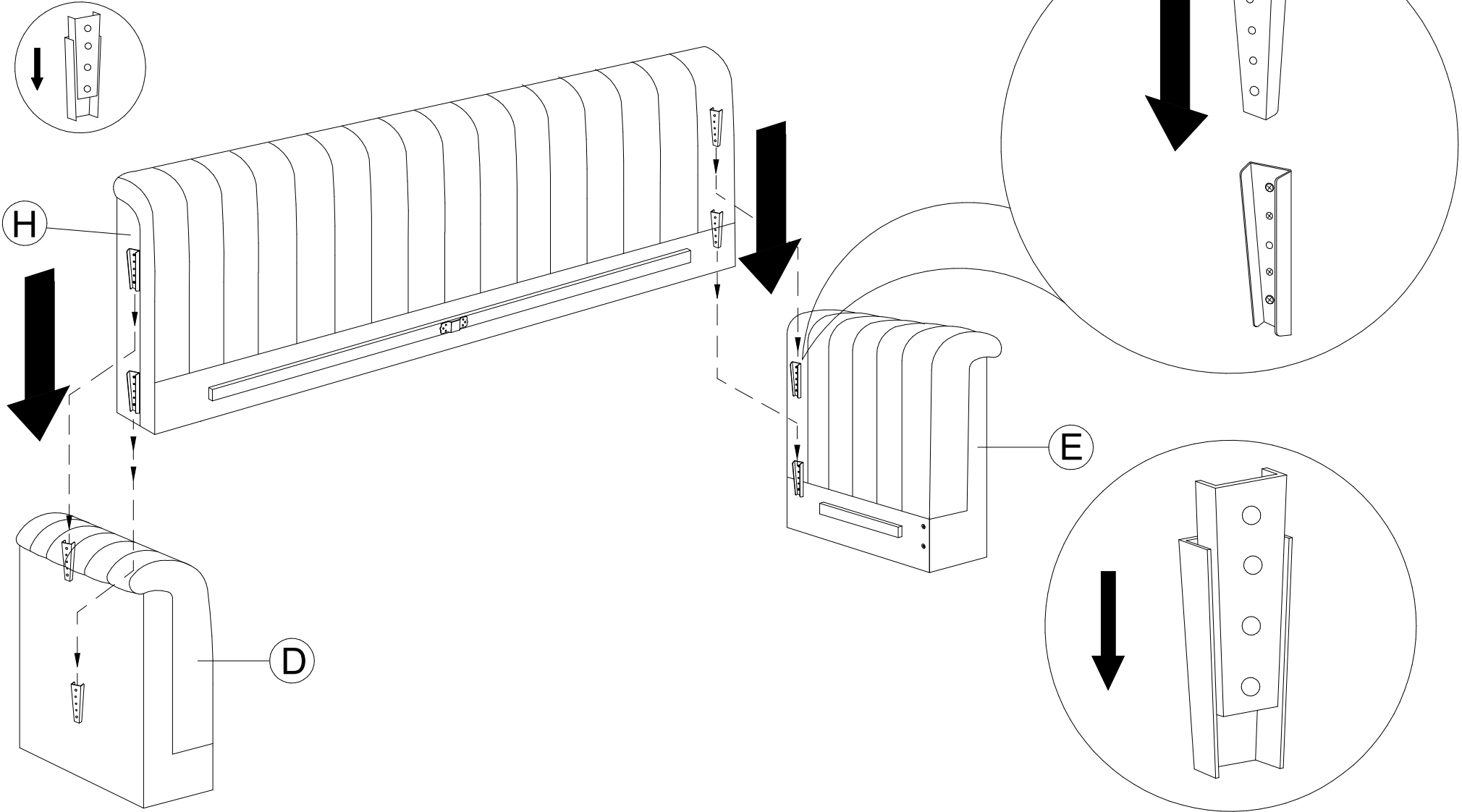
Please remove all the part from box.



# ASSEMBLY INSTRUCTION

## STEP 1.

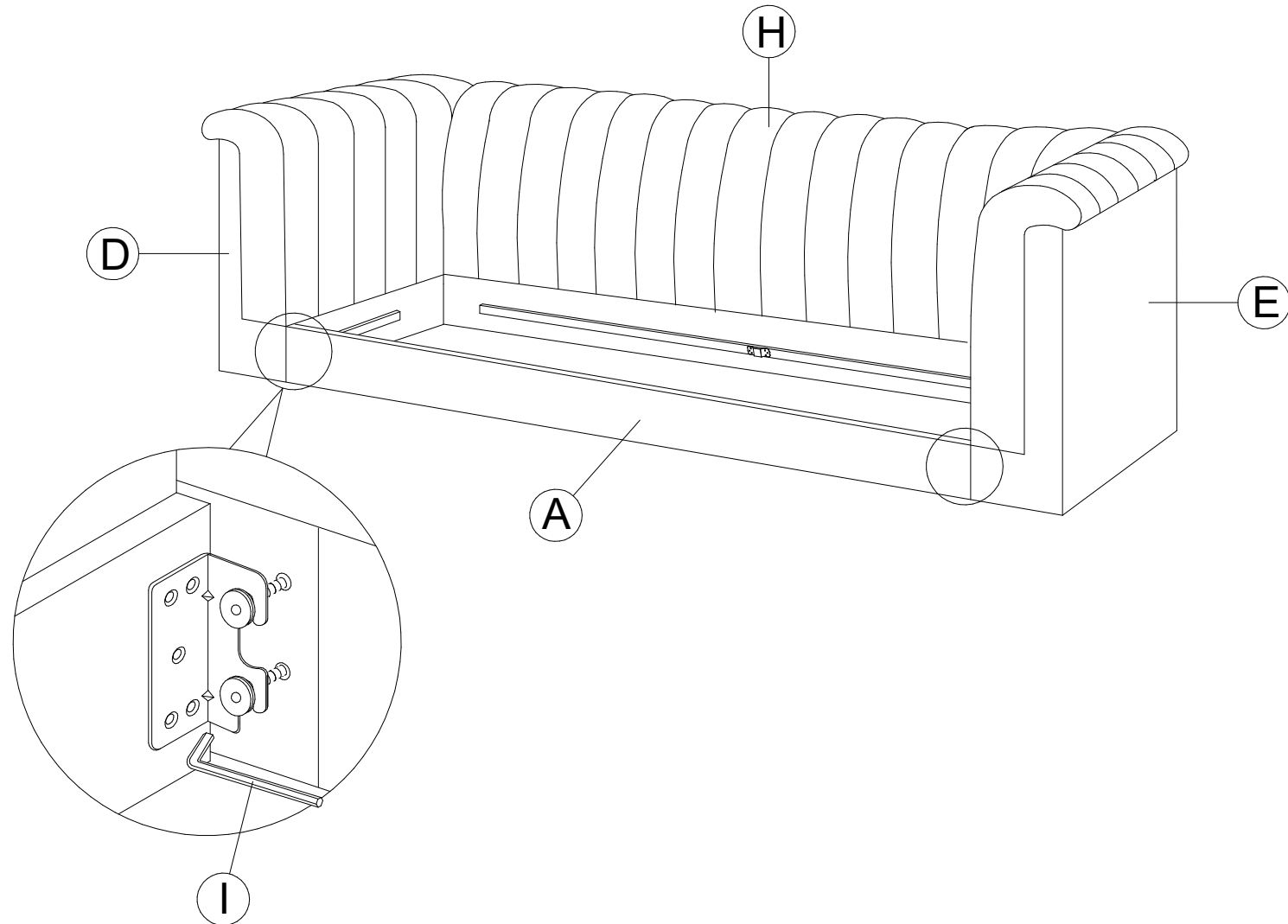
Hook on the Back Rest (H) into Left Arm (D) and Right Arm (E) securely.



# ASSEMBLY INSTRUCTION

## STEP 2.

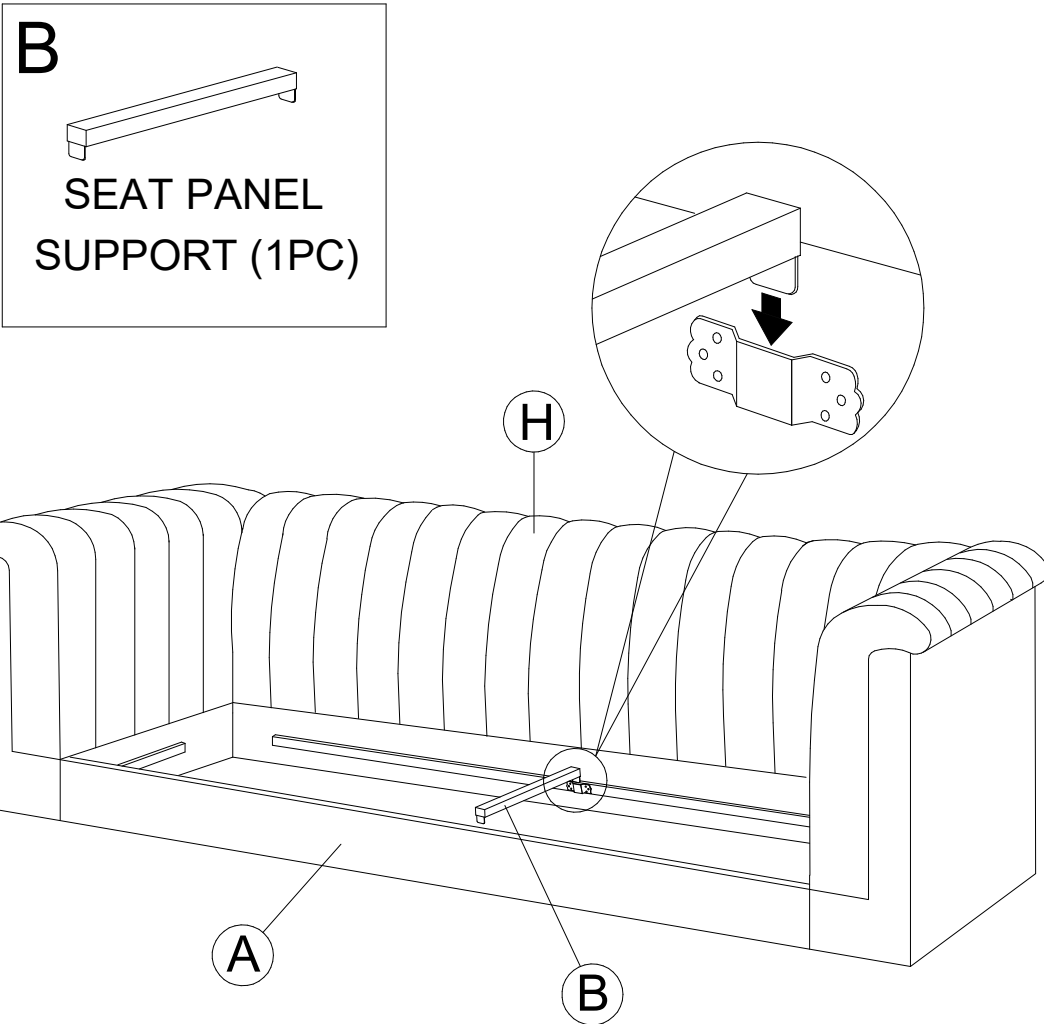
Slightly loosen the four bolts using Allen Key without removing the bolts completely from both Side Arms (D and E). Hook on Front Rail (A) hooks into loosen bolts, once placed tighten and secure all four bolts with Allen Key (I).



# ASSEMBLY INSTRUCTION

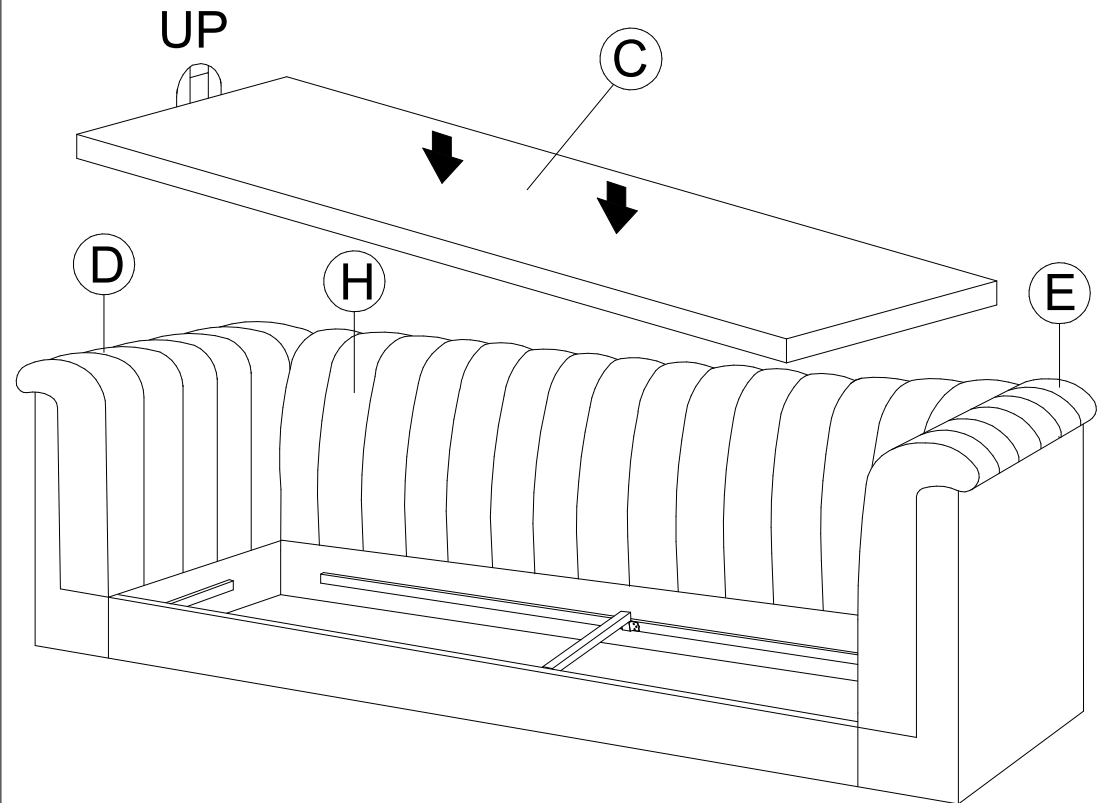
## STEP 3.

Hook on and secure Seat Panel Support (B) to the two metal slots on both Front Rail (A) and Back Rest (H).



## STEP 4.

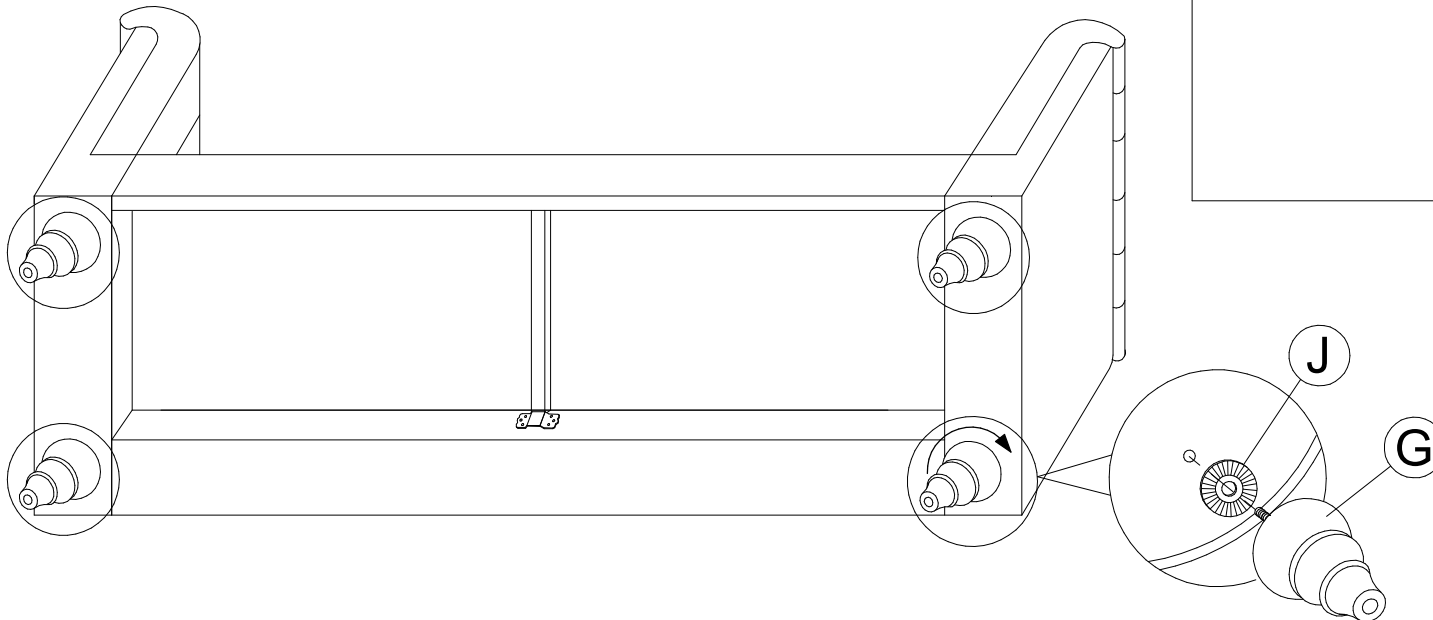
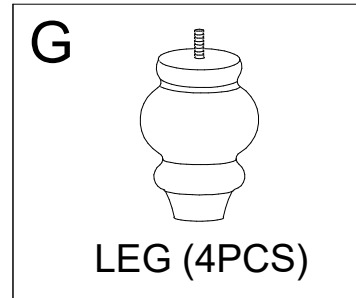
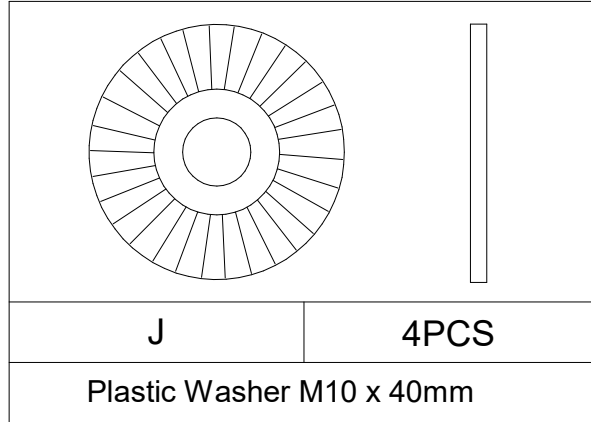
Lay the Seat Panel (C) on top of units frame.



# ASSEMBLY INSTRUCTION

## STEP 5.

For this step lay the unit on its back.  
Attached the Leg (G) (4pcs) to the four corners of the sofa. Legs should be tightened.



## STEP 6.

Attach the Seat Cushion(F)(2PCS).

