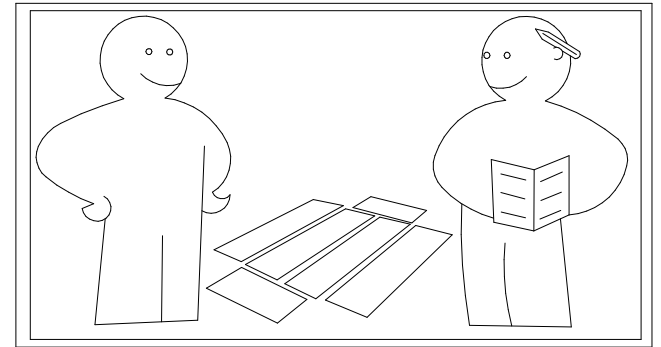
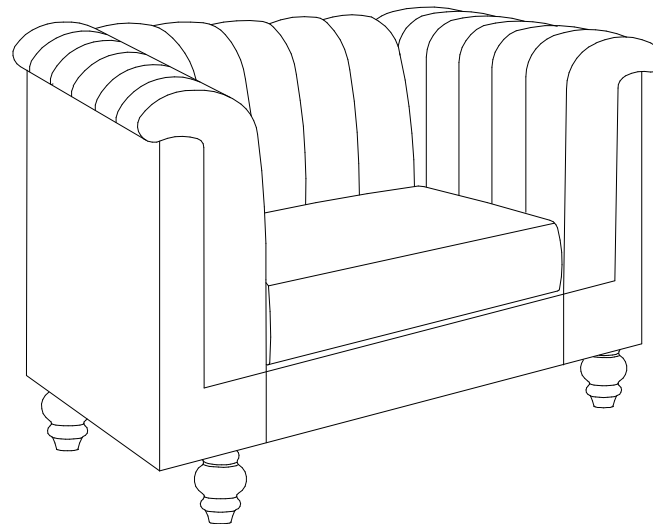


ASSEMBLY INSTRUCTION

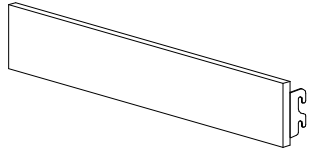


Attention:
Two people are required for assembly and lifting unit.



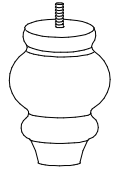
ASSEMBLY PART

A



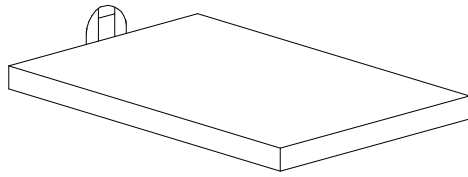
FRONT RAIL (1PC)

B



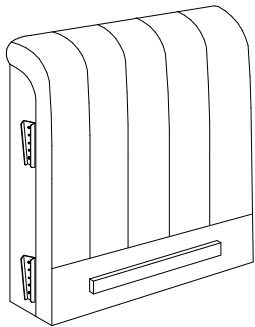
LEG (4PCS)

C



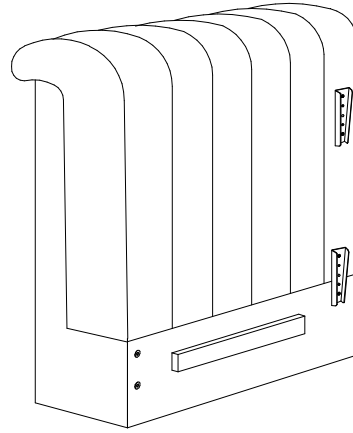
SEAT PANEL (1PC)

G



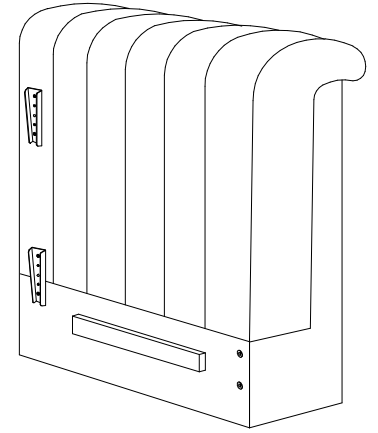
BACK REST (1PC)

D



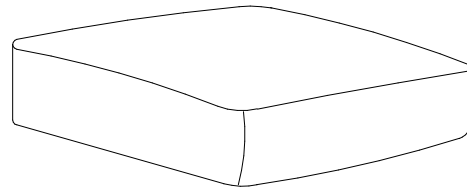
LEFT ARM (1PC)

E

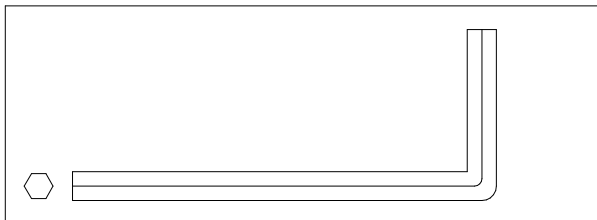


RIGHT ARM (1PC)

F



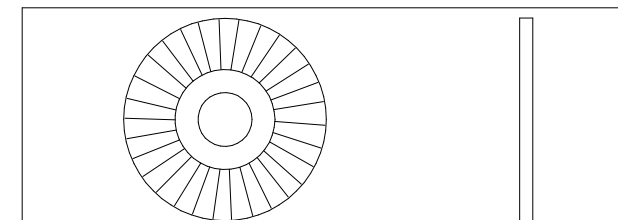
SEAT CUSHION (1PC)



H

1PC

Allen Key



I

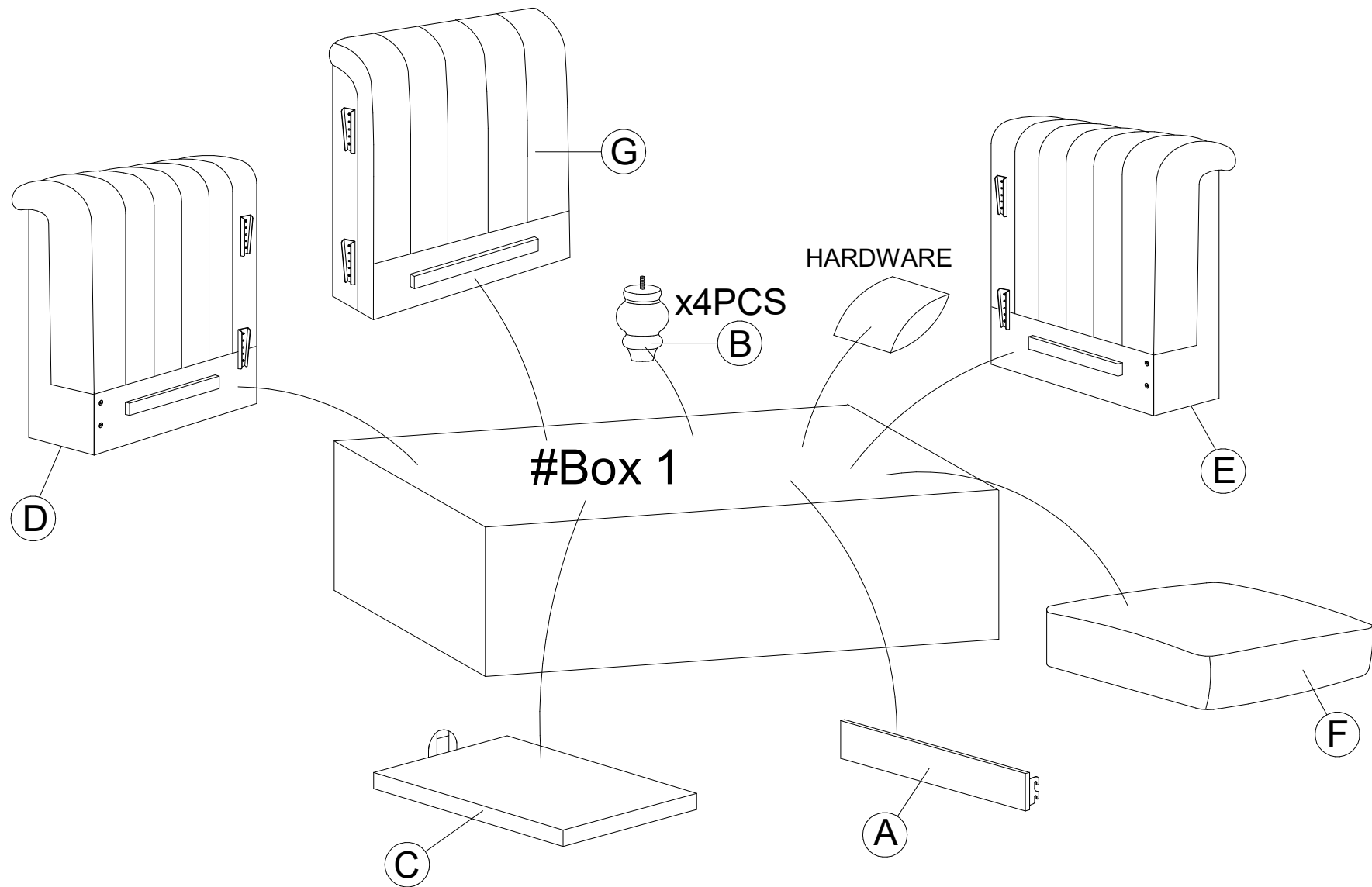
4PCS

Plastic Washer M10 x 40mm

BOX OPENING

Box Opening 1

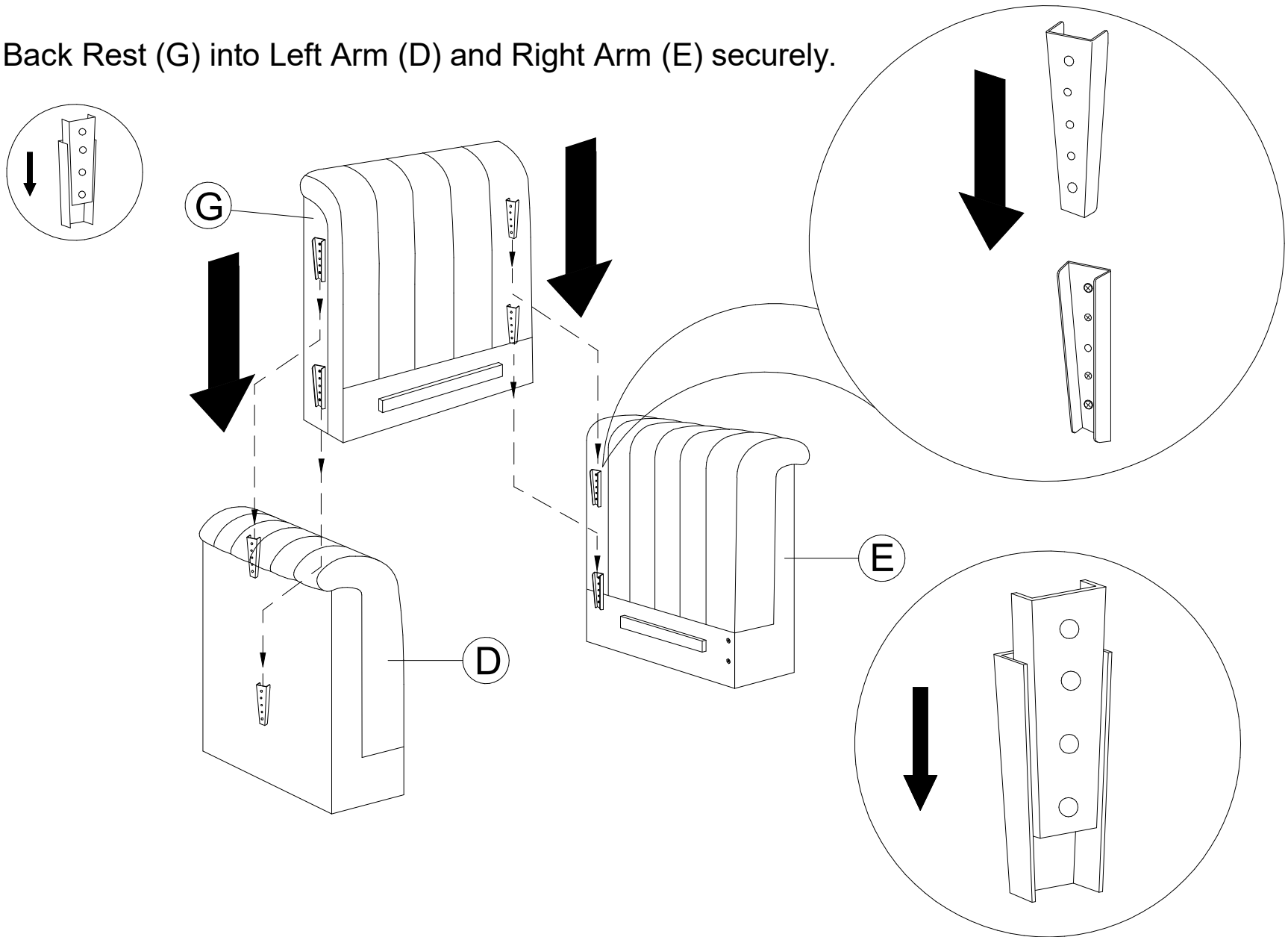
Please remove all the part from box.



ASSEMBLY INSTRUCTION

STEP 1.

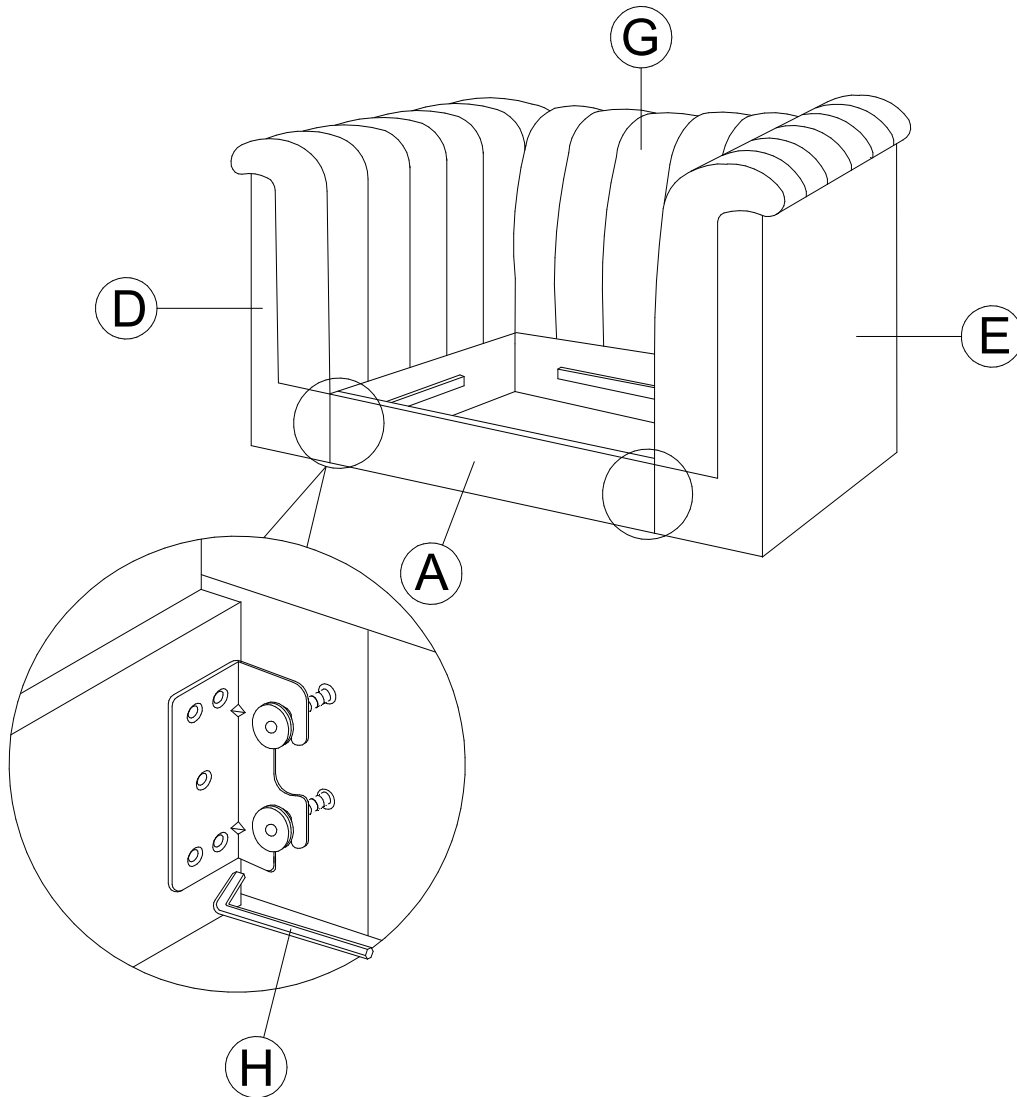
Hook on the Back Rest (G) into Left Arm (D) and Right Arm (E) securely.



ASSEMBLY INSTRUCTION

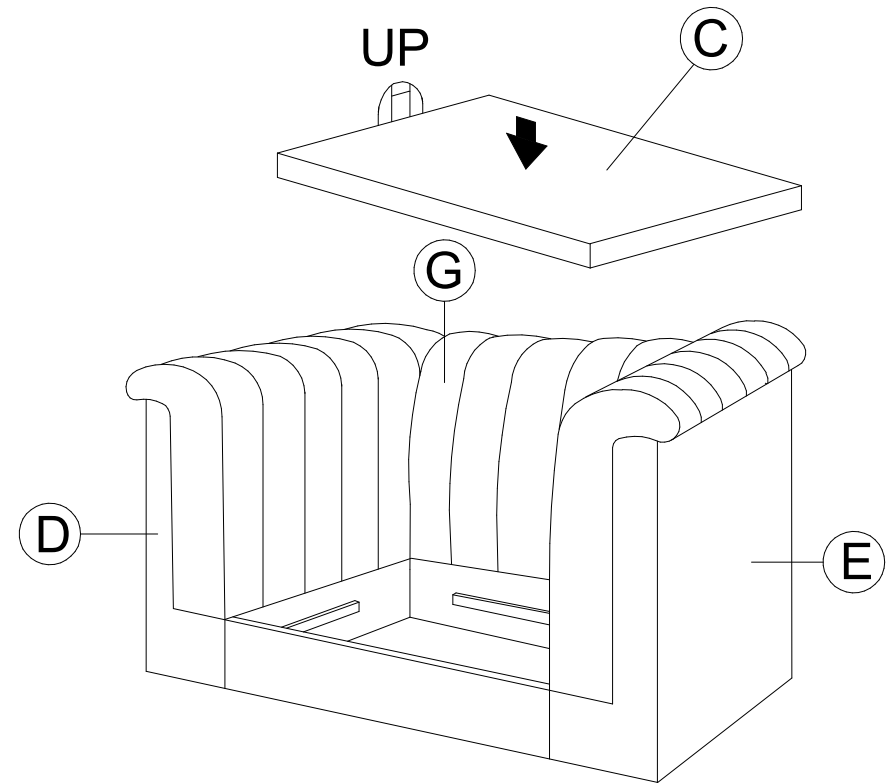
STEP 2.

Slightly loosen the four bolts using Allen Key without removing the bolts completely from both Side Arms (D and E). Hook on Front Rail (A) hooks into loosen bolts, once placed tighten and secure all four bolts with Allen Key (H).



STEP 3.

Lay the Seat Panel (C) on top of units frame.

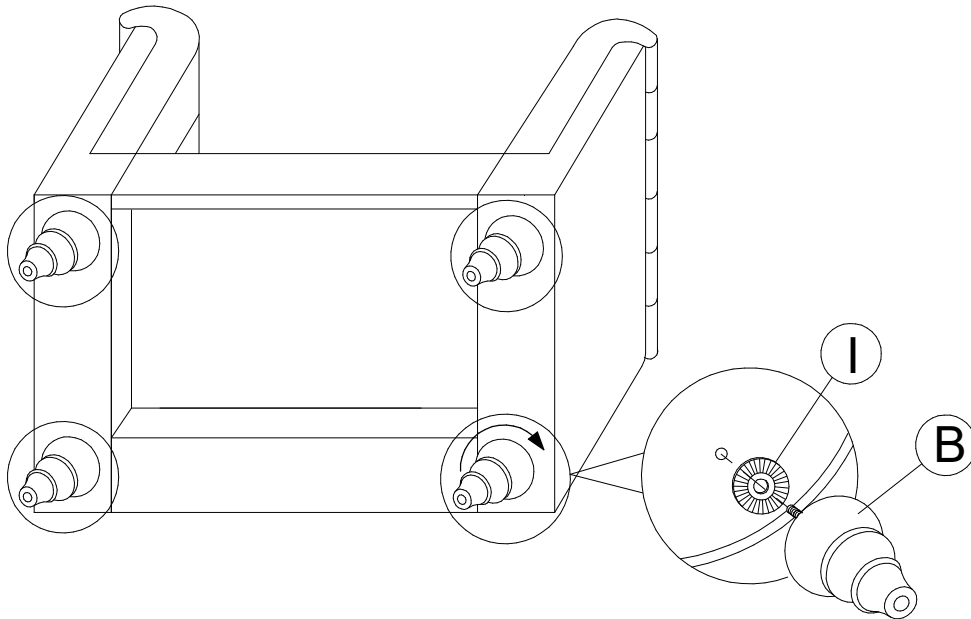
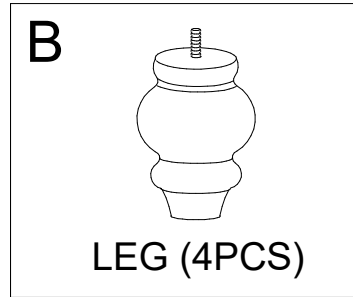
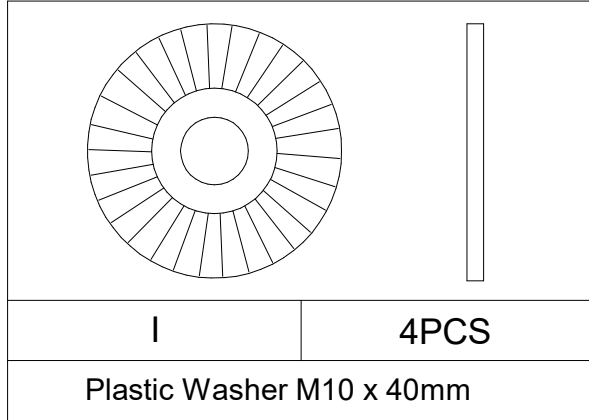


ASSEMBLY INSTRUCTION

STEP 4.

For this step lay the unit on its back.

Attached the Leg (B) (4pcs) to the four corners of the sofa. Legs should be tightened.



STEP 5.

Attach the Seat Cushion(F)(1PC).

