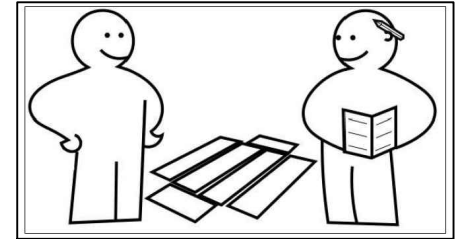
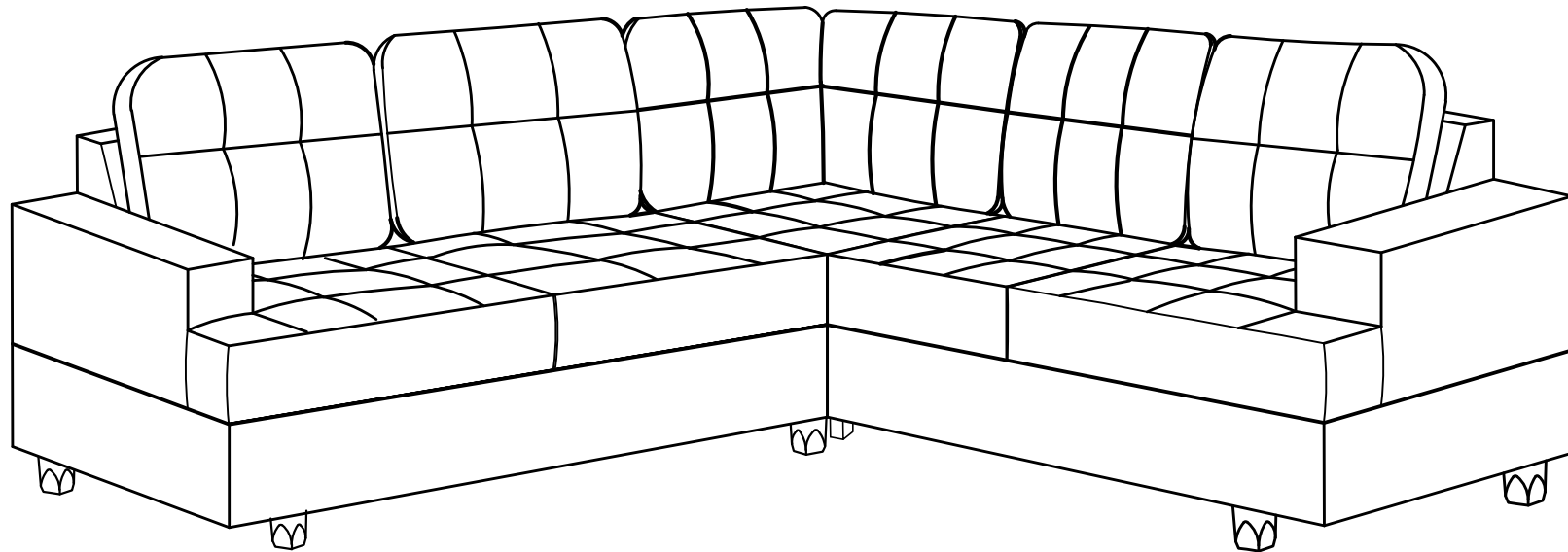



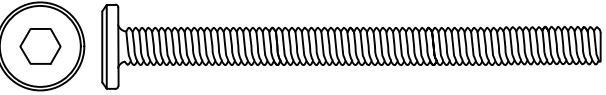
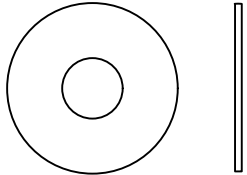
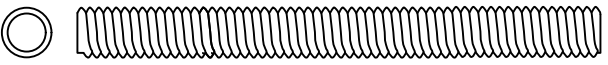
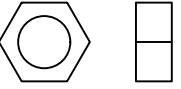
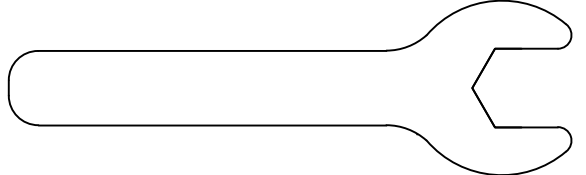
ASSEMBLY INSTRUCTION

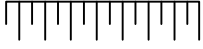


Attention:
Two people are required for
assembly and lifting unit.



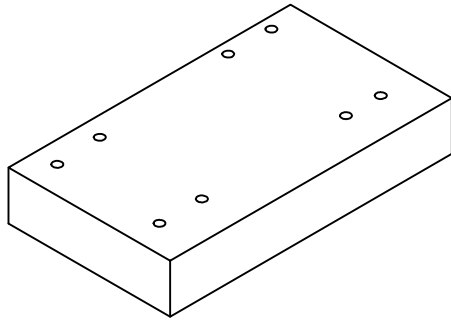
HARDWARE LIST

			
A	1PC	C	
Allen Key M5		16PCS	
JCBC Bolt 5/ 16 X 70mm		Flat Washer 5/ 16 x 25mm	
			
D	12PCS	E	
16PCS		1PC	
Threaded Rods 5/16 x 75mm		Nut 5/16 x 12mm	
		F	
		Spanner	

1 : 1


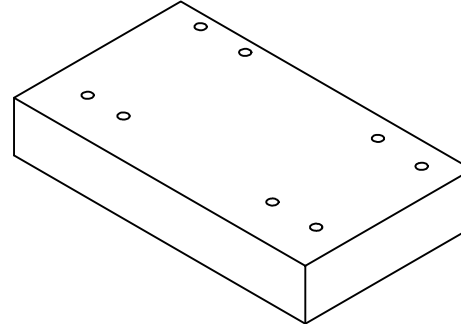
PART LIST

P1



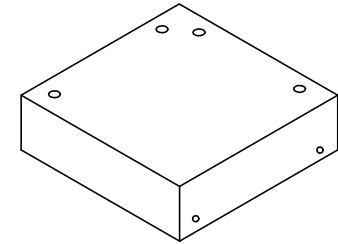
SEAT BASE - LONG (1PC)

P2



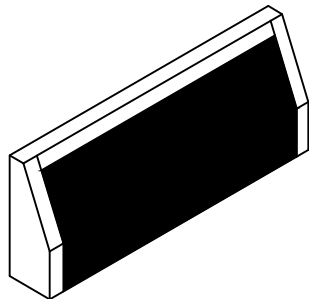
SEAT BASE - SHORT (1PC)

P3



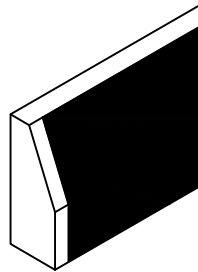
SEAT BASE - CENTER (1PC)

P4



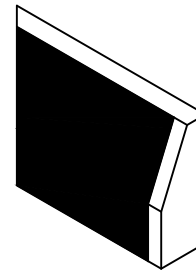
BACK REST - LONG (1PC)

P5



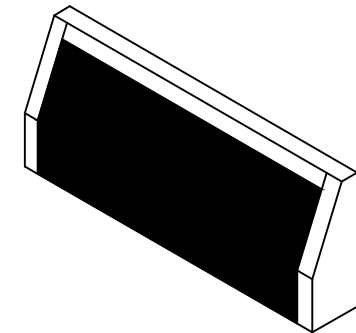
BACK REST - LEFT(1PC)

P6



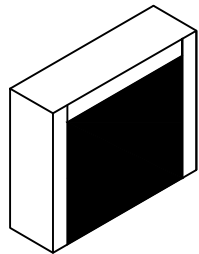
BACK REST - RIGHT(1PC)

P7



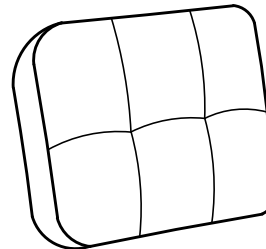
BACK REST - SHORT (1PC)

P8



ARM REST (2PCS)

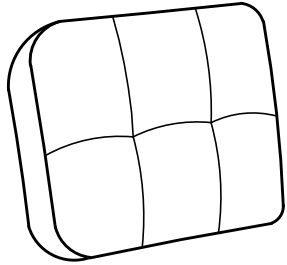
P9



BACK PILLOW - BIG(2PCS)

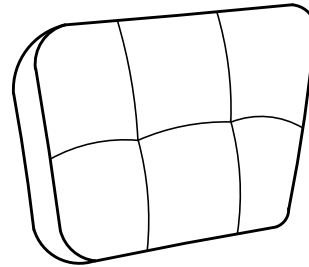
PART LIST

P10



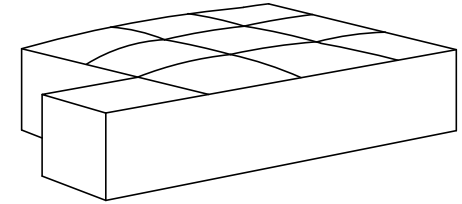
BACK PILLOW - SMALL (2PCS)

P11



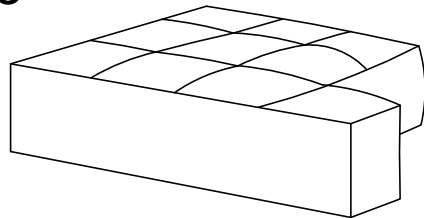
BACK PILLOW - CHAISE (2PCS)

P12



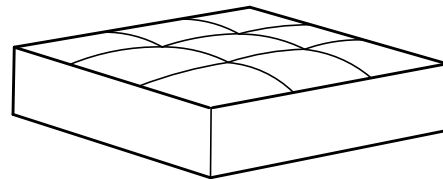
SEAT CUSHION - LEFT (1PC)

P13



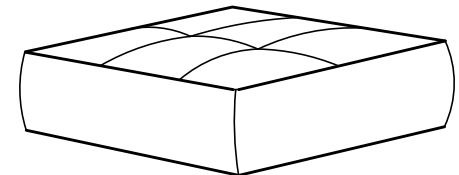
SEAT CUSHION -RIGHT (1PC)

P14



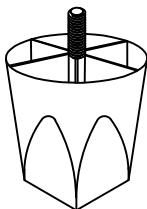
SEAT CUSHION - CENTER (2PCS)

P15



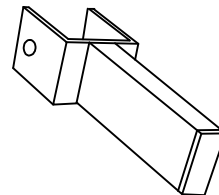
SEAT CUSHION - CHAISE (1PC)

P16



PLASTIC LEG (8PCS)

P17

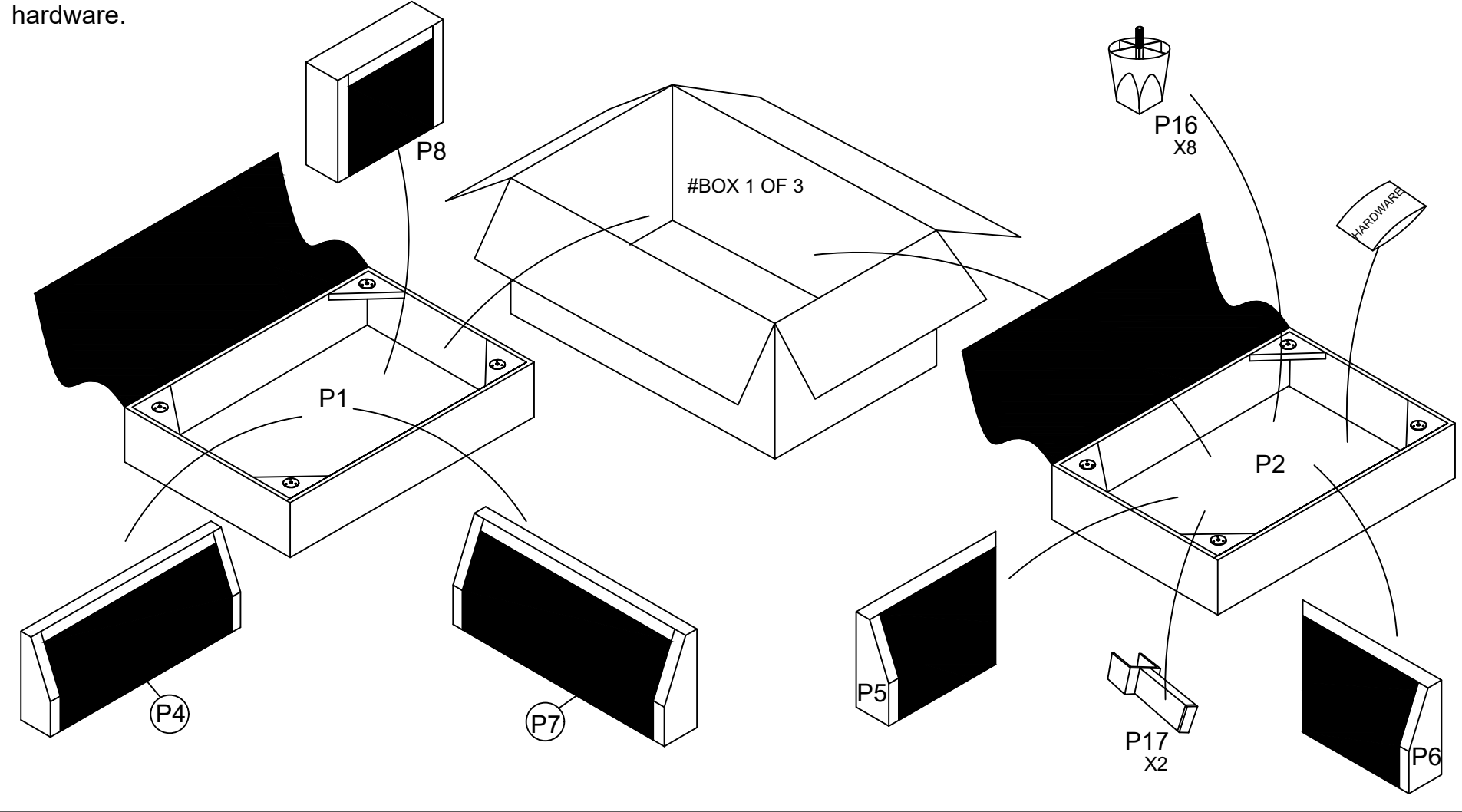


METAL LEG (2PCS)

ASSEMBLY INSTRUCTION

STEP 1.

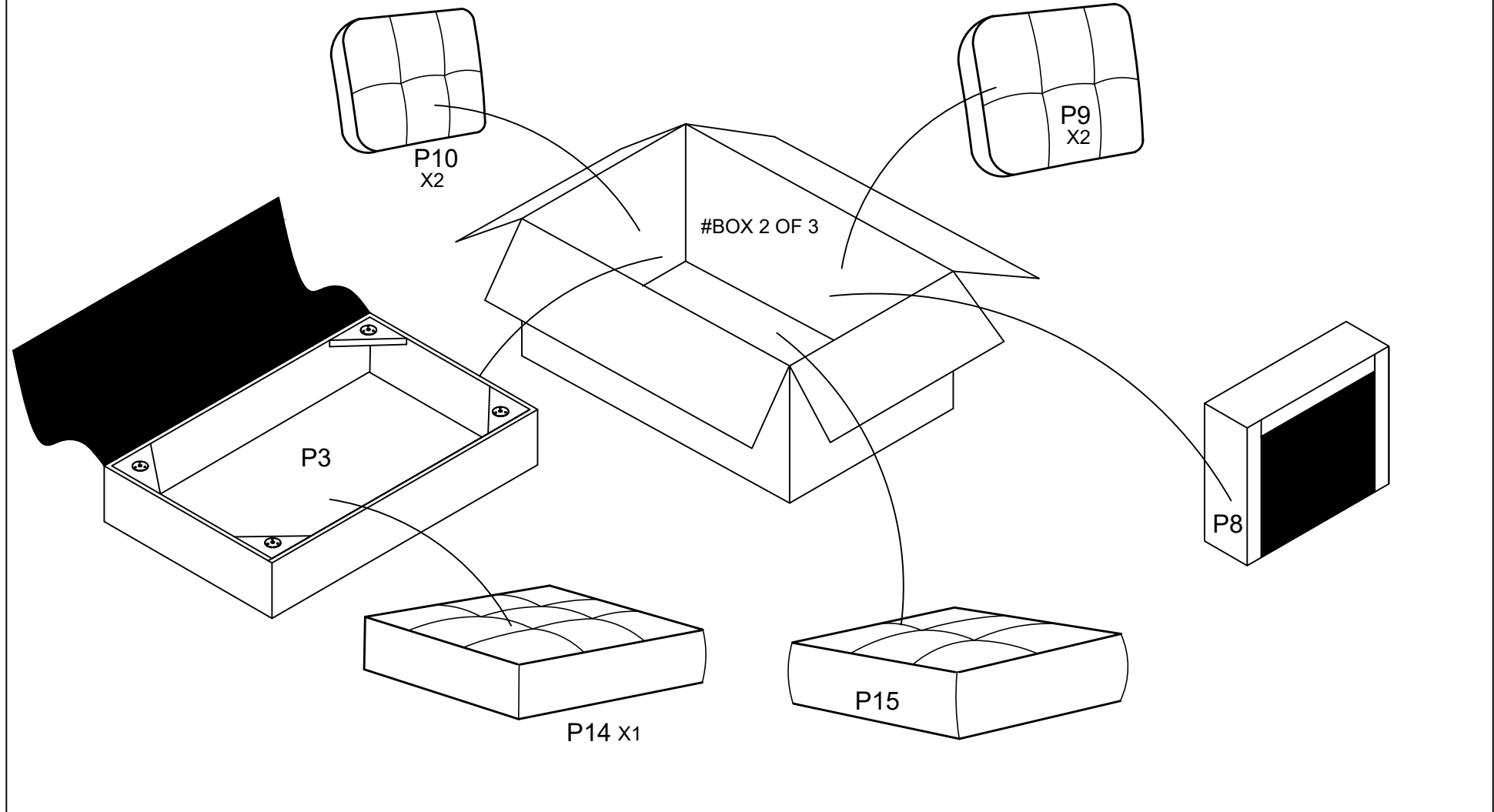
Open the cover cloth located behind the Chaise Base (P1 & P2) (1pc) and remove all part and hardware.



ASSEMBLY INSTRUCTION

STEP 2.

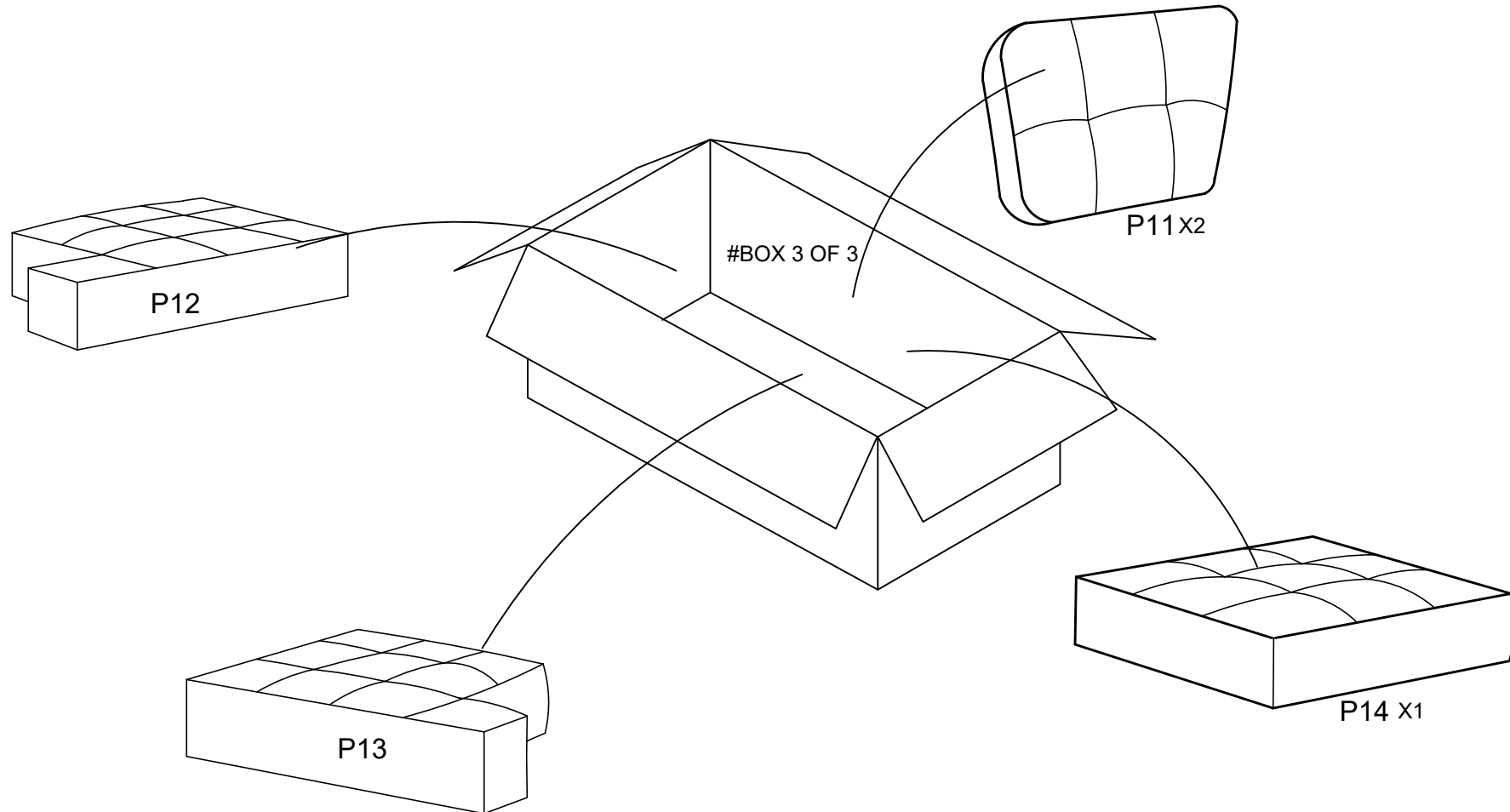
Open the cover cloth located behind the Chaise Base (P3) (1pc) and remove all part.



ASSEMBLY INSTRUCTION

STEP 3.

Remove all parts from box.

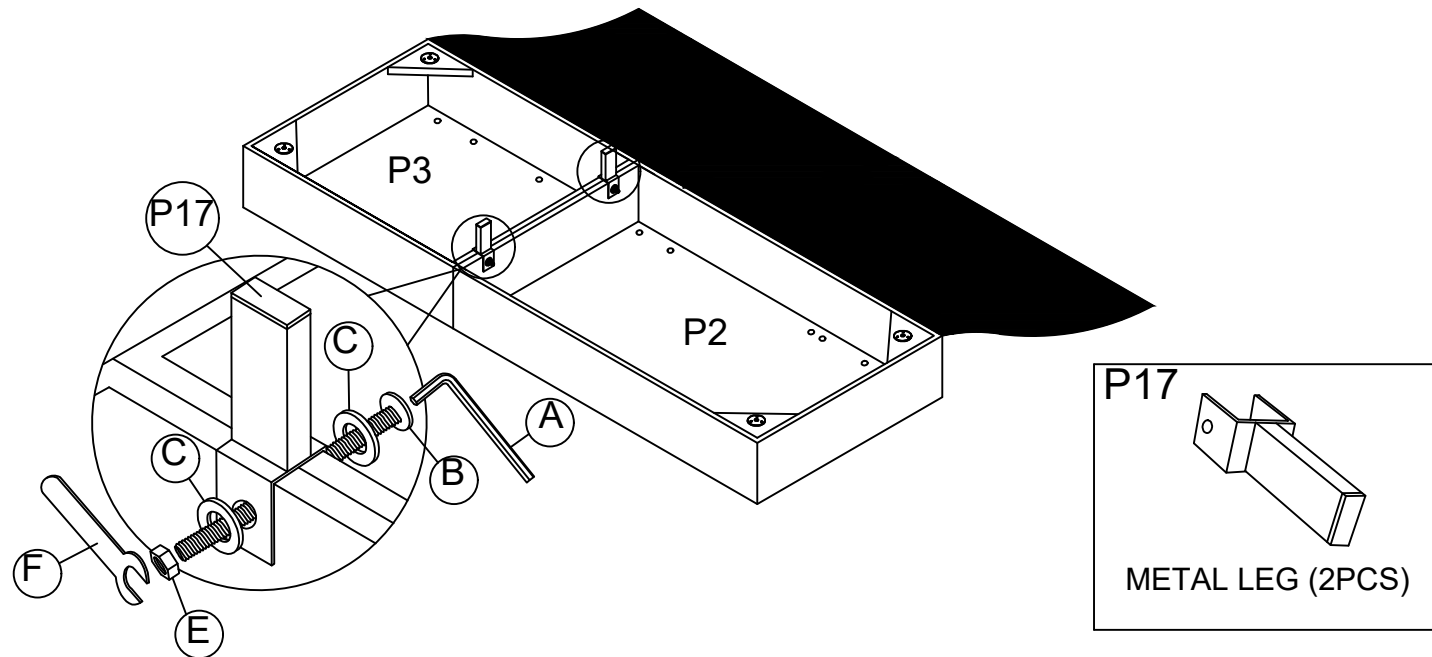


ASSEMBLY INSTRUCTION

STEP 4.

For this step lay the Seat Base (P2,P3) together.

Attached the Metal Leg (P17) (2pcs). Legs are to be attached using JCBC Bolt 5/16 x 70mm (B) (2pcs), Flat Washer 5/16 x 25mm (C) (4pcs), Nut 5/16 x 25mm (E) (2pcs), Allen Key (A) and Spanner (F) to fix. Make sure the bolts are fully tightened and secure.



B	2PCS
JCBC Bolt 5/ 16 X 70mm	

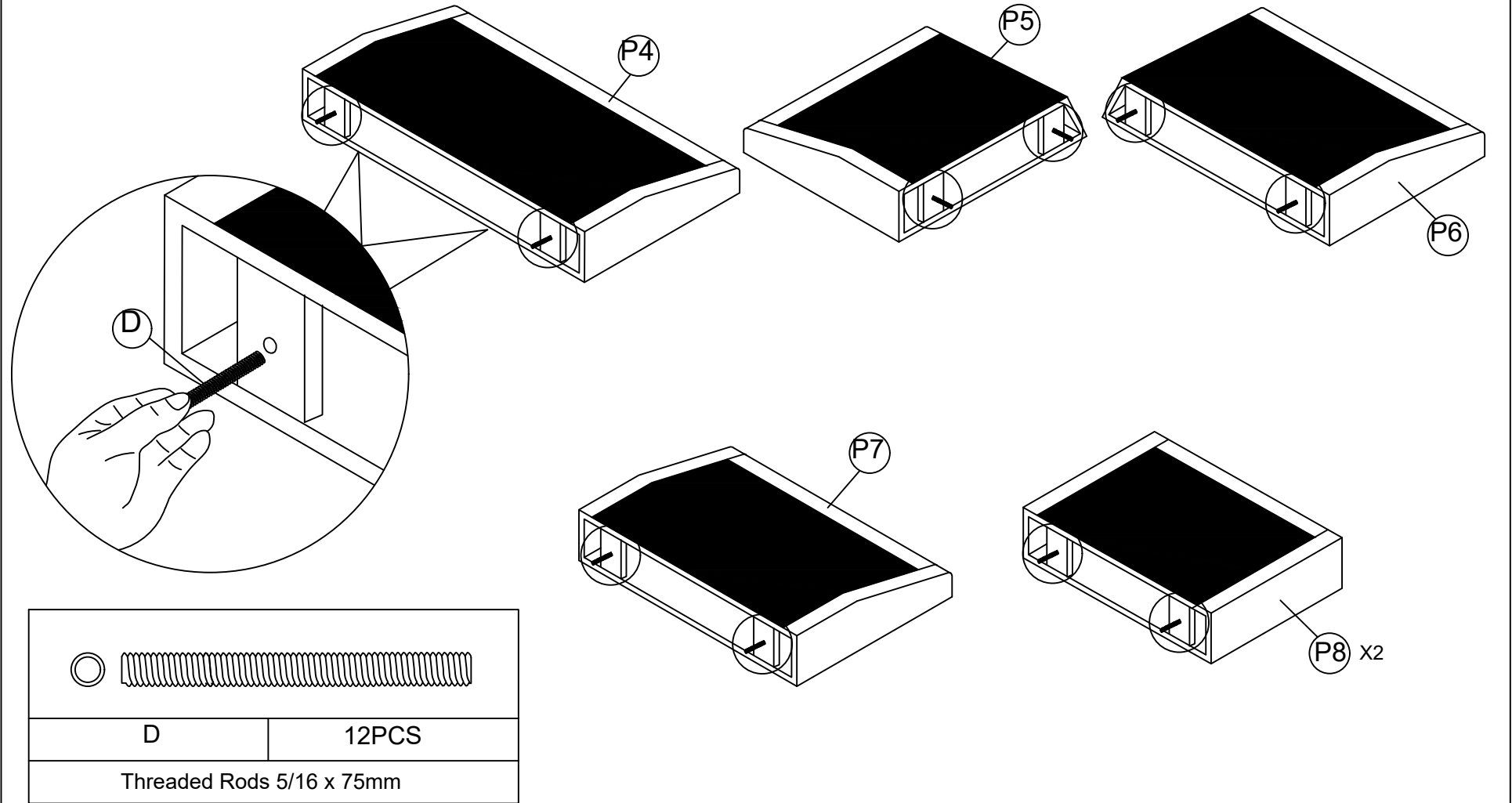
C	4PCS
Flat Washer 5/ 16 x 25mm	

E	2PCS
Nut 5/16 x 12mm	

ASSEMBLY INSTRUCTION

STEP 5.

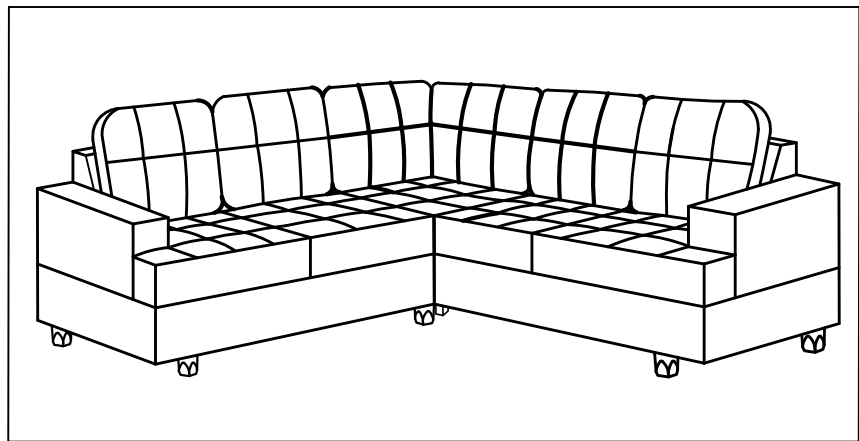
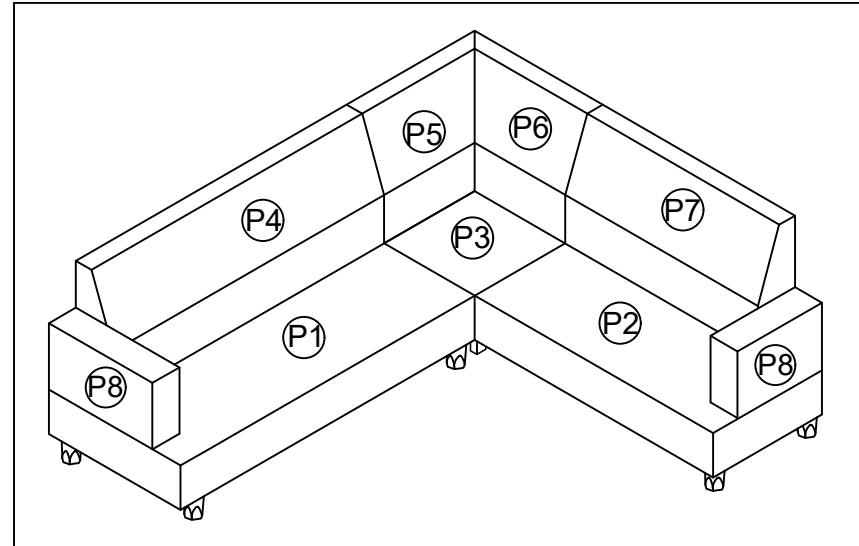
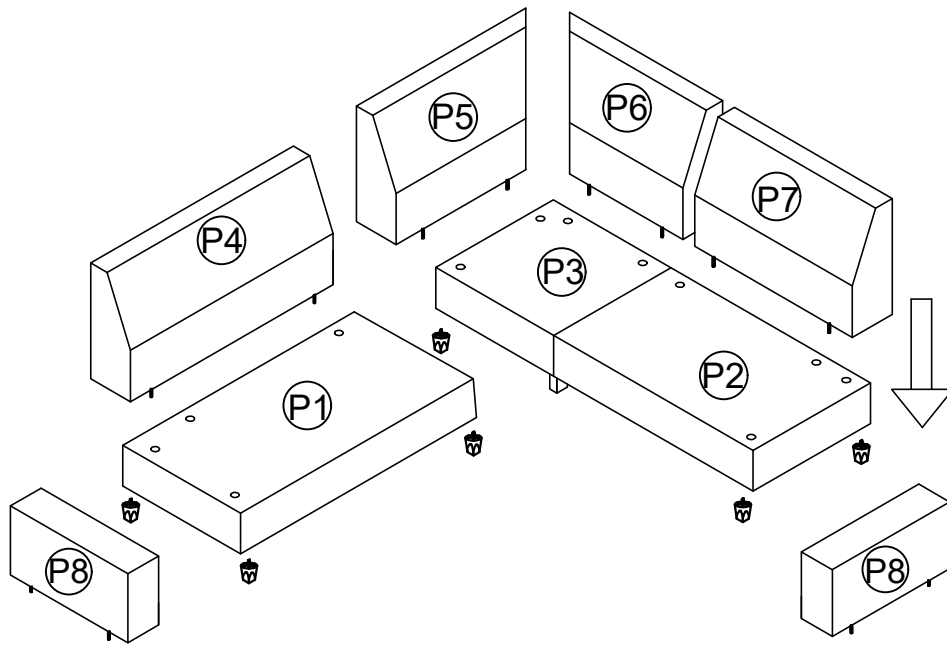
Attached the Threaded Rods 5/16 x 75mm (D) (12pcs) to Back Rest (P4), (P5), (P6), (P7) and Arm Rest (P8).



ASSEMBLY INSTRUCTION

STEP 6.

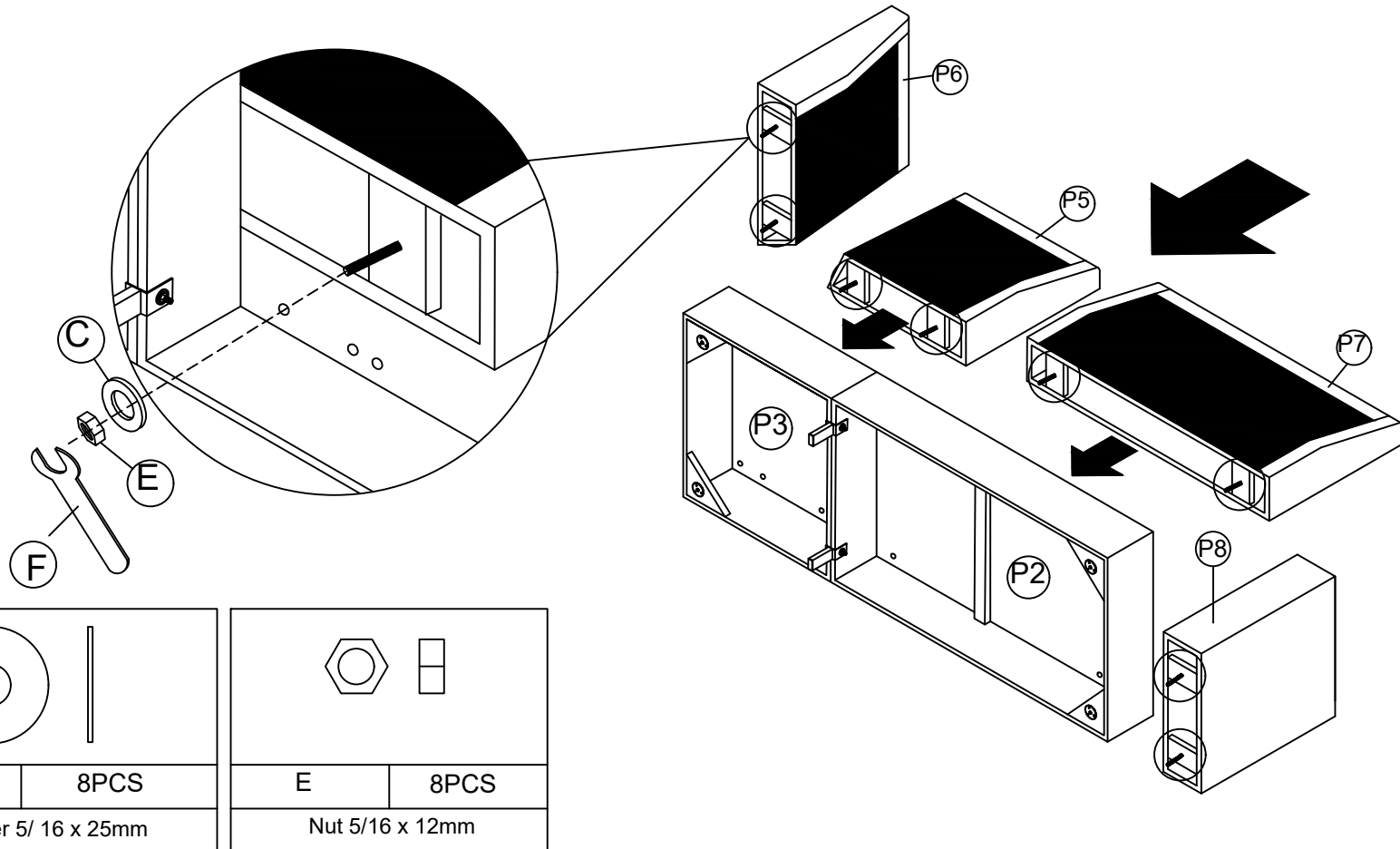
Attached the Back Rest (P4,P5,P6,P7) and Arm Rest (P8) to the Base (P1,P2,P3).



ASSEMBLY INSTRUCTION

STEP 7.

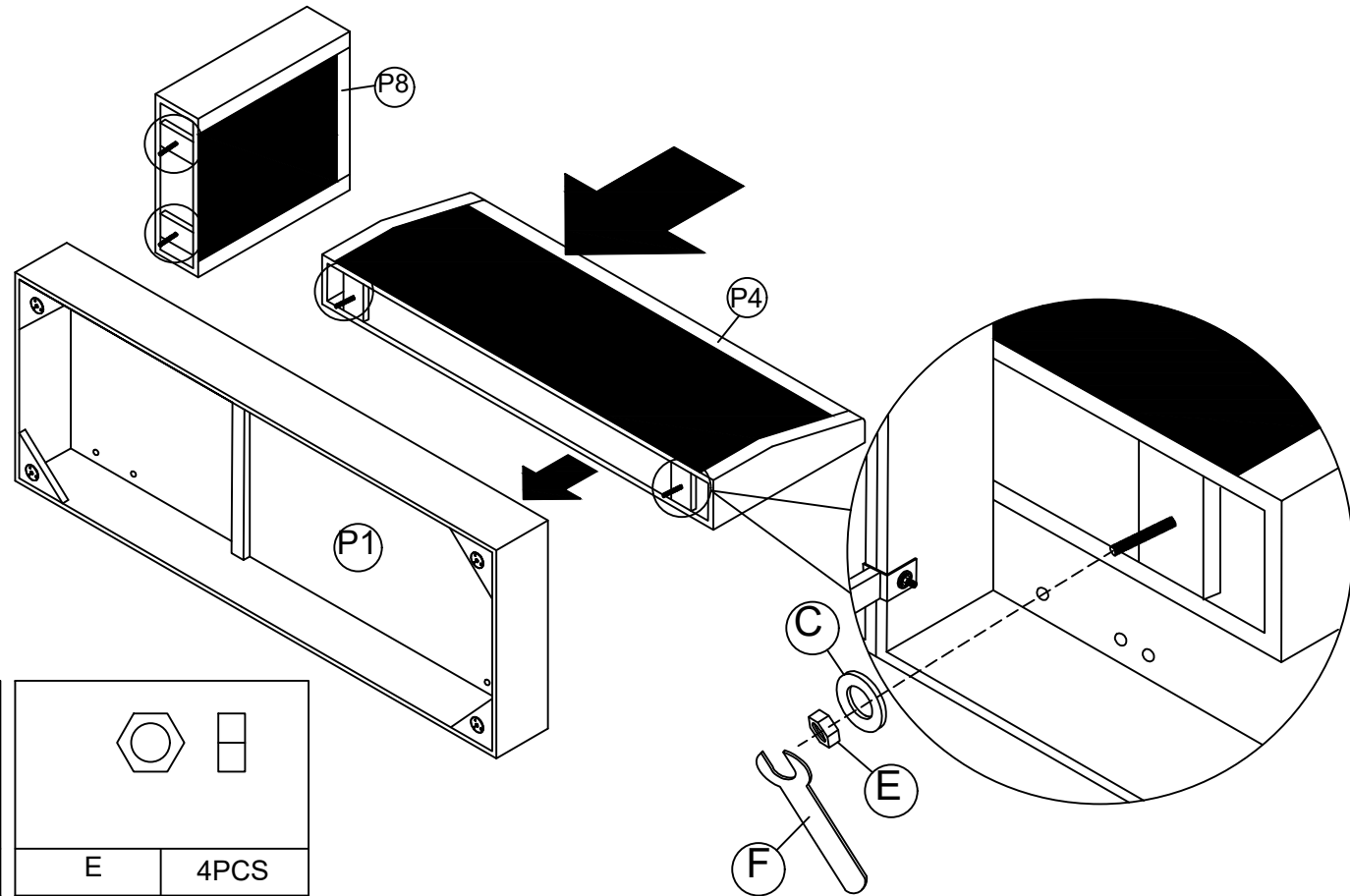
Attached the Back Rest (P7), Back Rest (P5), Back Rest (P6) and Arm Rest (P8) to Seat Base (P2 & P3) (2pcs).
Used Flat Washer 5/16 x 25mm (C) (8pcs), Nut 5/16 x 25mm (E) (8pcs) and Spanner (F) to fix.
Make sure the bolts are fully tighten and secure.



ASSEMBLY INSTRUCTION

STEP 8.

Attached the Back Rest (P4) and Arm Rest (P8) to Seat Base (P1) (1pc). Used Flat Washer 5/16 x 25mm (C) (4pcs), Nut 5/16 x 25mm (E) (4pcs) and Spanner (F) to fix. Make sure the bolts are fully tightened and secure.

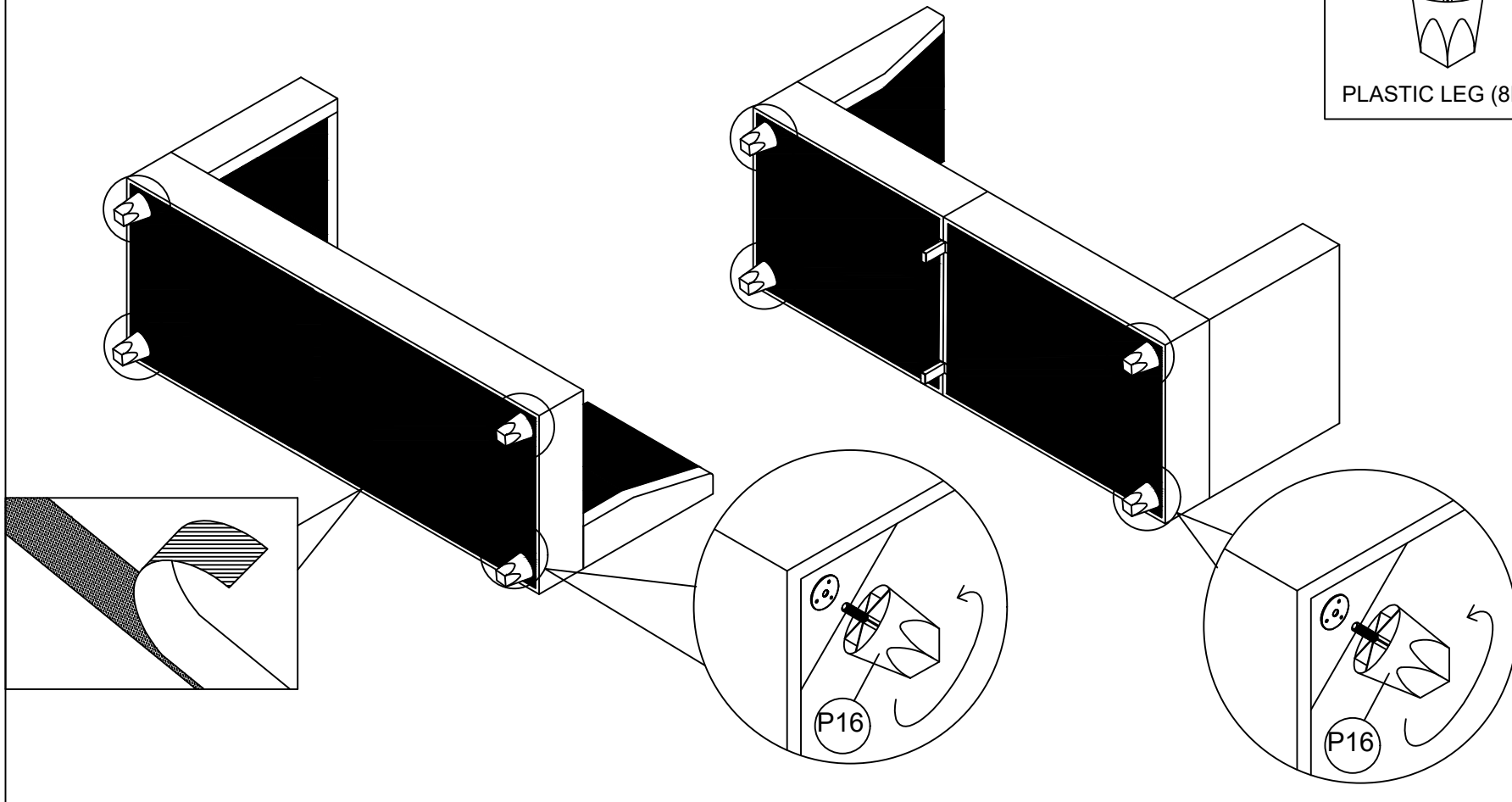
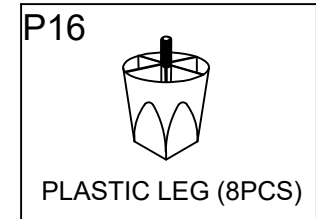


ASSEMBLY INSTRUCTION

STEP 9.

Closed cover cloth with velcro.

Attached Plastic Leg (P16) (8pcs) to Seat Base (P1,P2,P3). Legs should be tightened.



ASSEMBLY INSTRUCTION

STEP 10.

Attach the Cushion Seat (P12) (1pc), Cushion Seat(P13) (1pc), Cushion Seat(P14) (2pcs), Cushion Seat(P15)(1pc) and Back Pillow (P9) (2pcs), Back Pillow (P10)(2pcs),Back Pillow (P11) (2pcs) to the base.

Put two parts (Chaise and Sofa) together.

