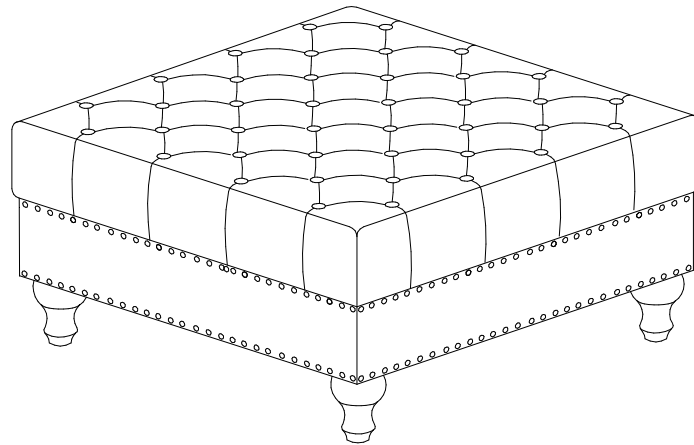
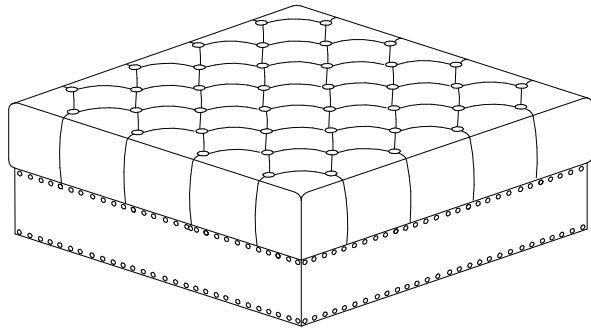


ASSEMBLY INSTRUCTION



ASSEMBLY PART

1.



OTTOMAN (1PC)

2.



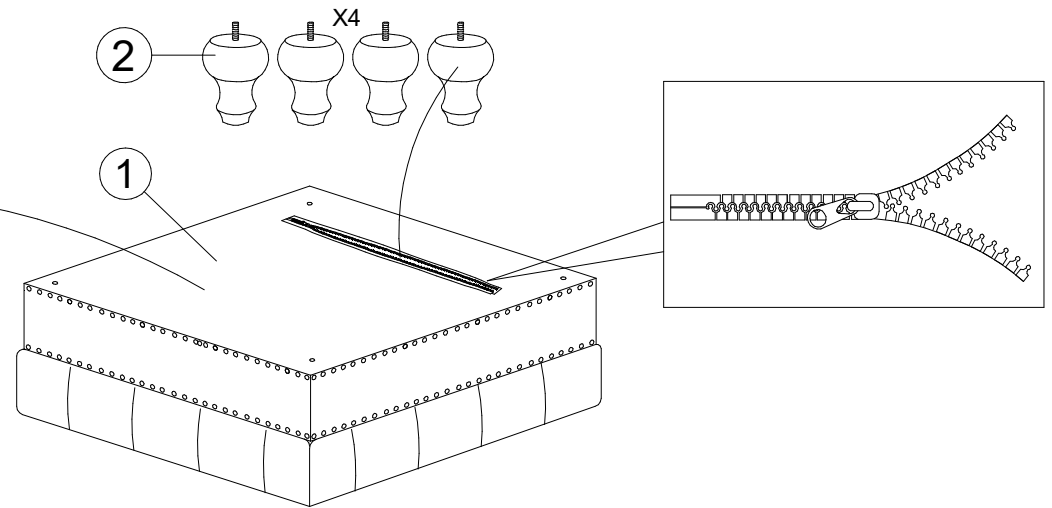
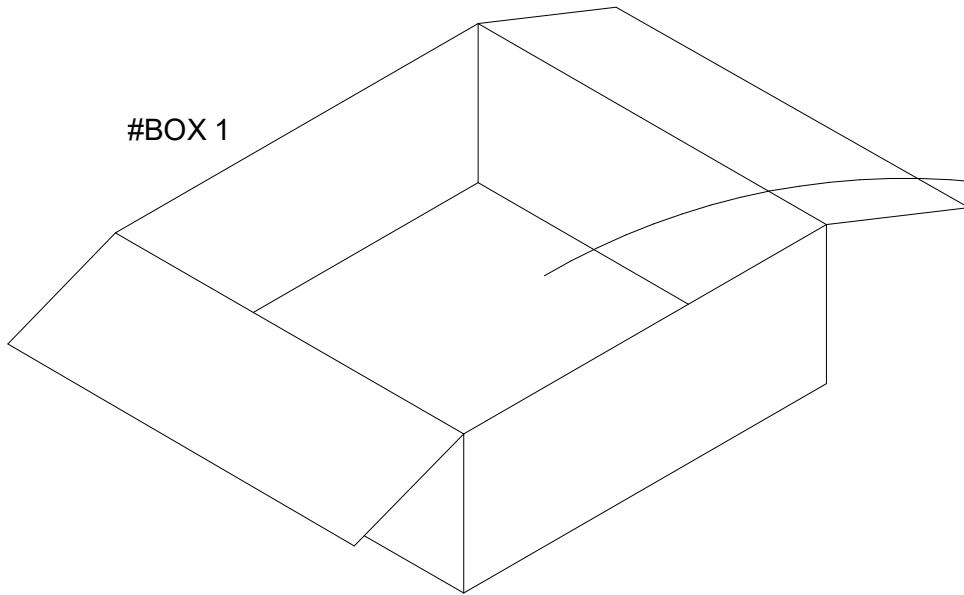
LEG (4PCS)

ASSEMBLY INSTRUCTION

STEP 1.

Open the zip on back of Ottoman(1), take out Leg (2) (4pcs).

#BOX 1



ASSEMBLY INSTRUCTION

STEP 2.

Attach Leg (2) (4pcs) to the four corners of the Ottoman (1).

