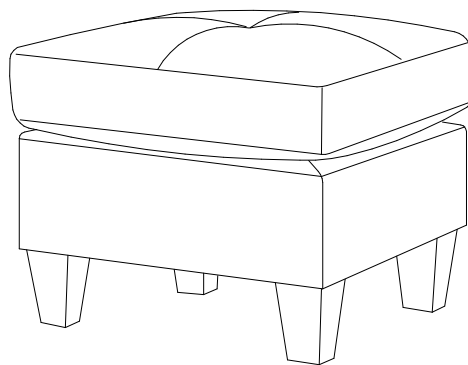
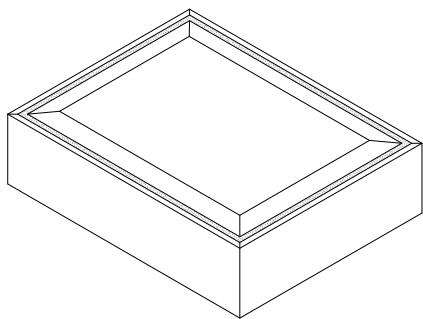


## ASSEMBLY INSTRUCTION



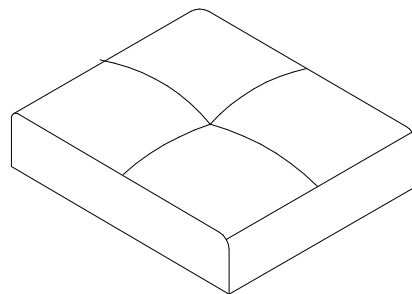
# ASSEMBLY PART & HARDWARE

1.



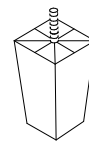
CHAISE BASE (1PC)

2.

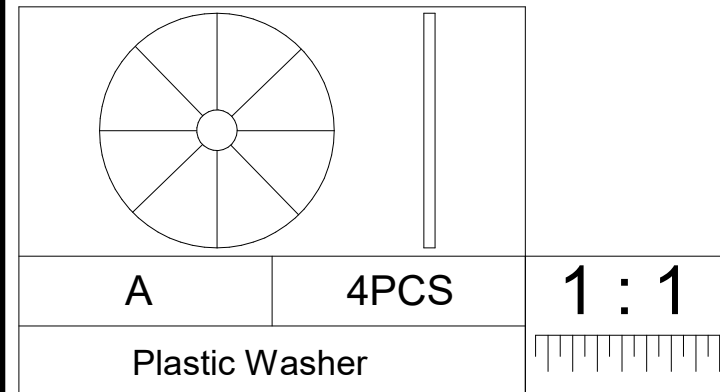


SEAT CUSHION (1PC)

3.



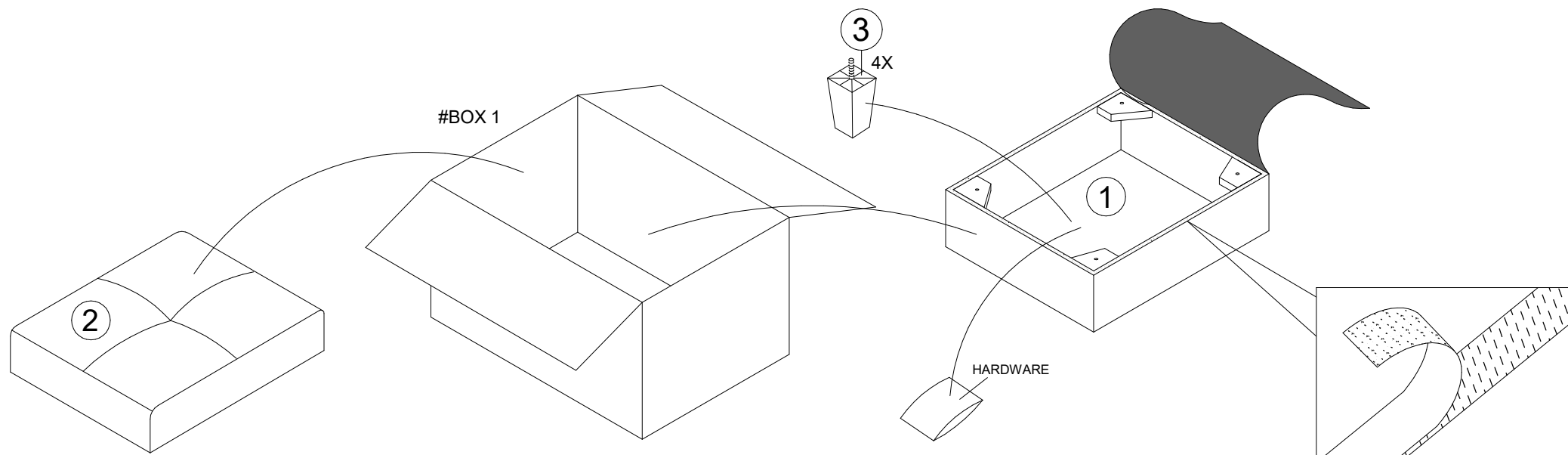
LEG (4PCS)



## ASSEMBLY INSTRUCTION

### STEP 1.

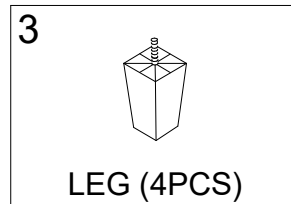
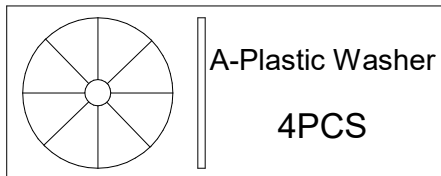
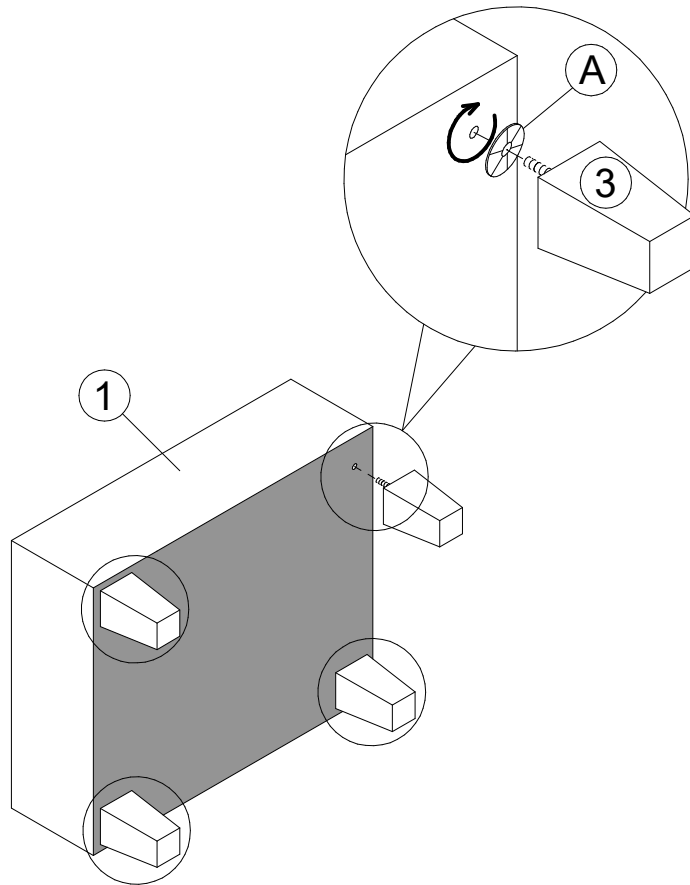
Open the cover cloth located behind the Chaise Base (1). Remove all parts and hardware.



# ASSEMBLY INSTRUCTION

## STEP 2.

Take a Cover Cloth and closed with velcro. Attach Legs (3) (4pcs) and Plastic Washer (A) (4pcs) to the four corners of the unit.



## STEP 3.

Attach the Chaise Base (1)(1pc) and Seat Cushion (2)(1pc) with velcro.

