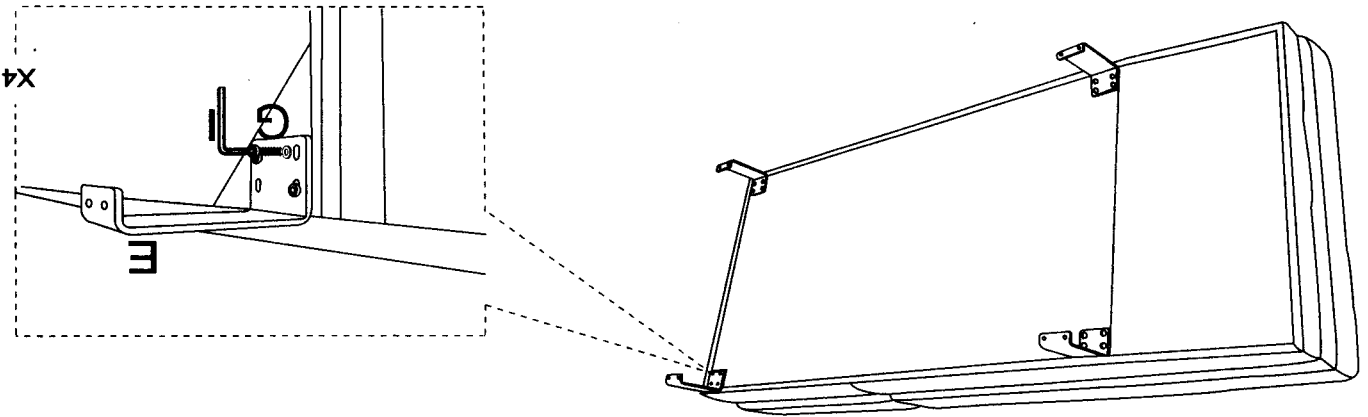


Assembly Instructions

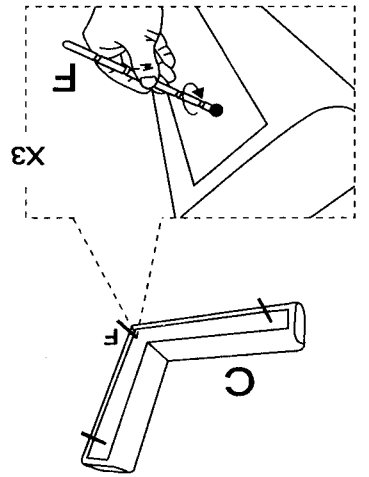
Sectional

GLORY
FURNITURE
gloryfurniture.com

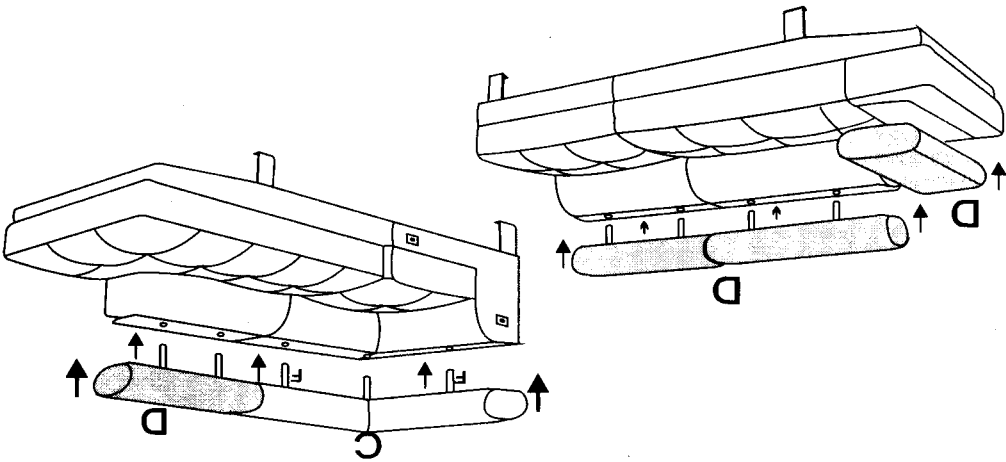
Step 1: Assemble the leg (E) onto the seat frame (A & B) with 4 pcs bolt (G) by Allen wrench (I)



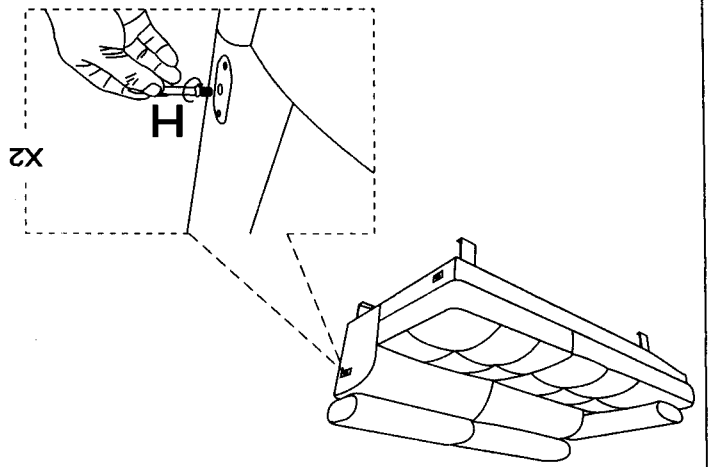
Step 2: Mount bolt (F) to headrest (C).



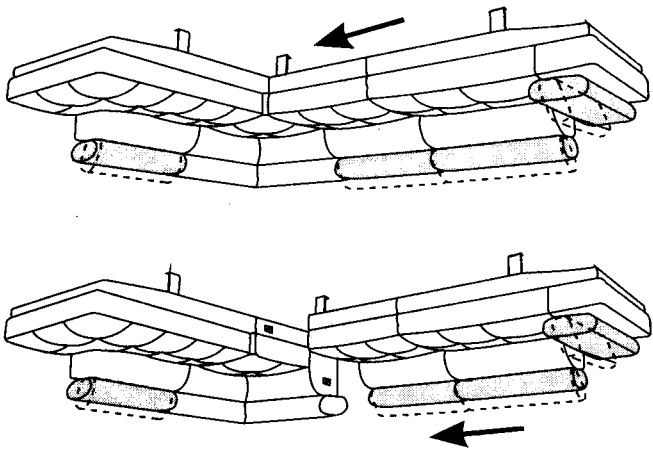
Step 3: Insert headrest (C)(F) onto the backrest of sofa (A) & chaise (B).

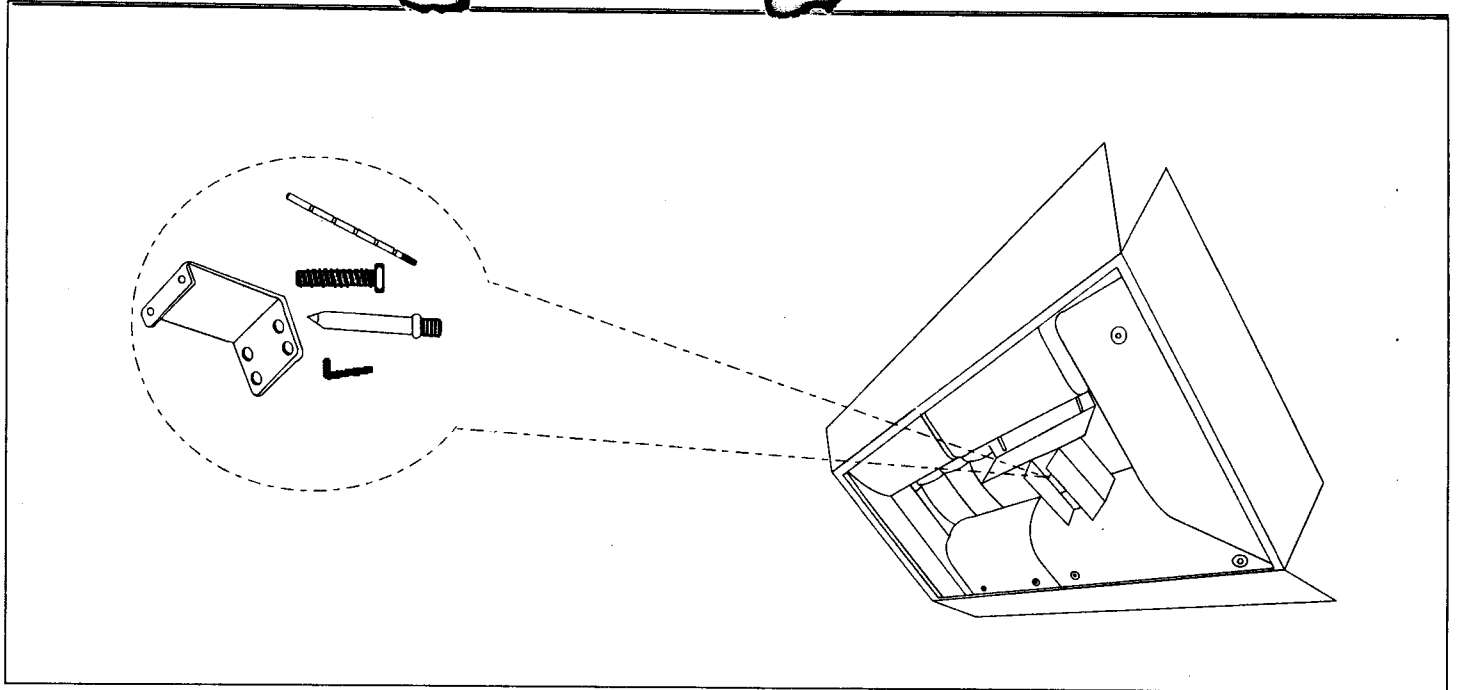


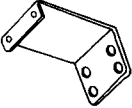



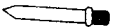

Step 4: Mount the connecting bolt (H) to sofa (A)



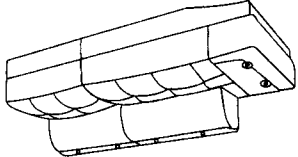
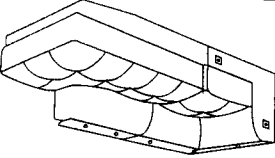
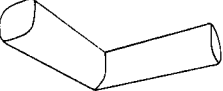
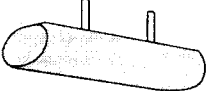
Step 5: Align the connecting bolt (H) with the assembling holes on chaise (B) to tighten sofa (A) and chaise (B) together.



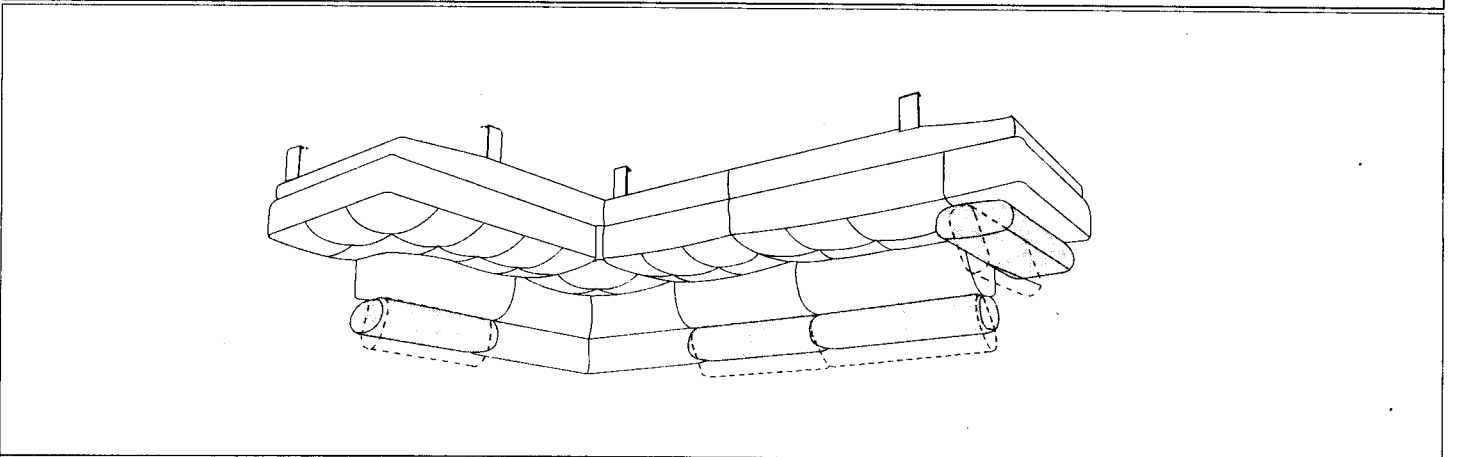


E		F		G		H		I		J	
---	---	---	---	---	---	---	---	---	---	---	---

HARDWARE LIST

A		B		C		D	
---	---	---	--	---	---	---	---

PARTS LIST



Sectional

Assembly Instructions

GLORY
FURNITURE
gloryfurniture.com