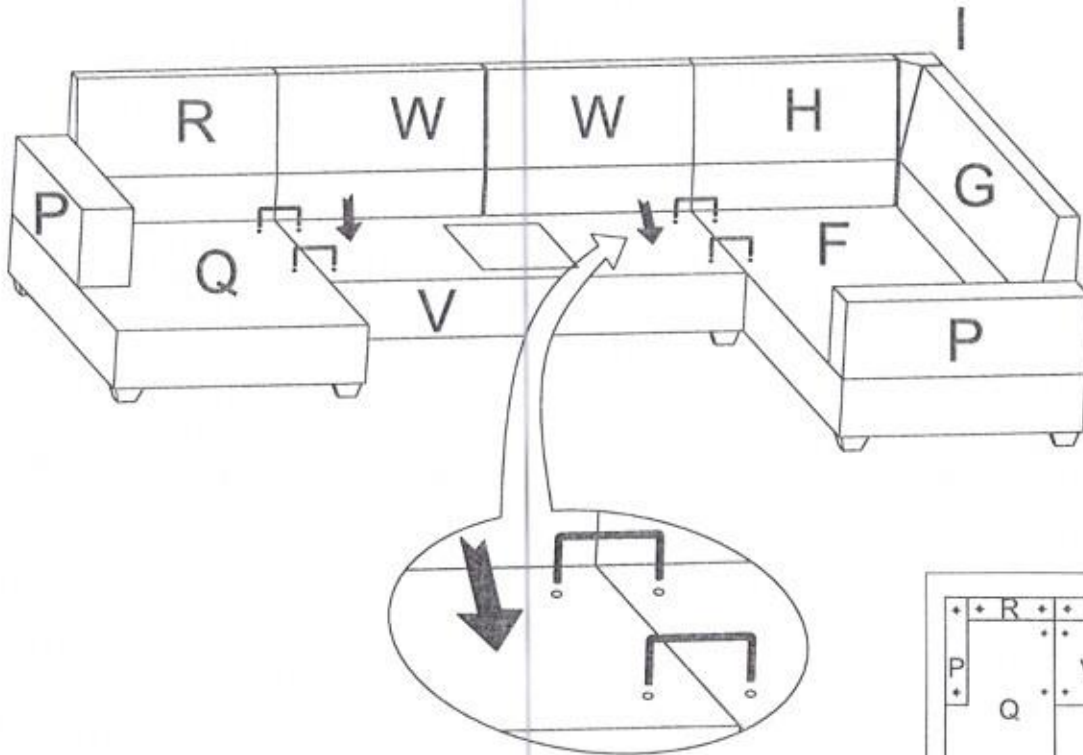
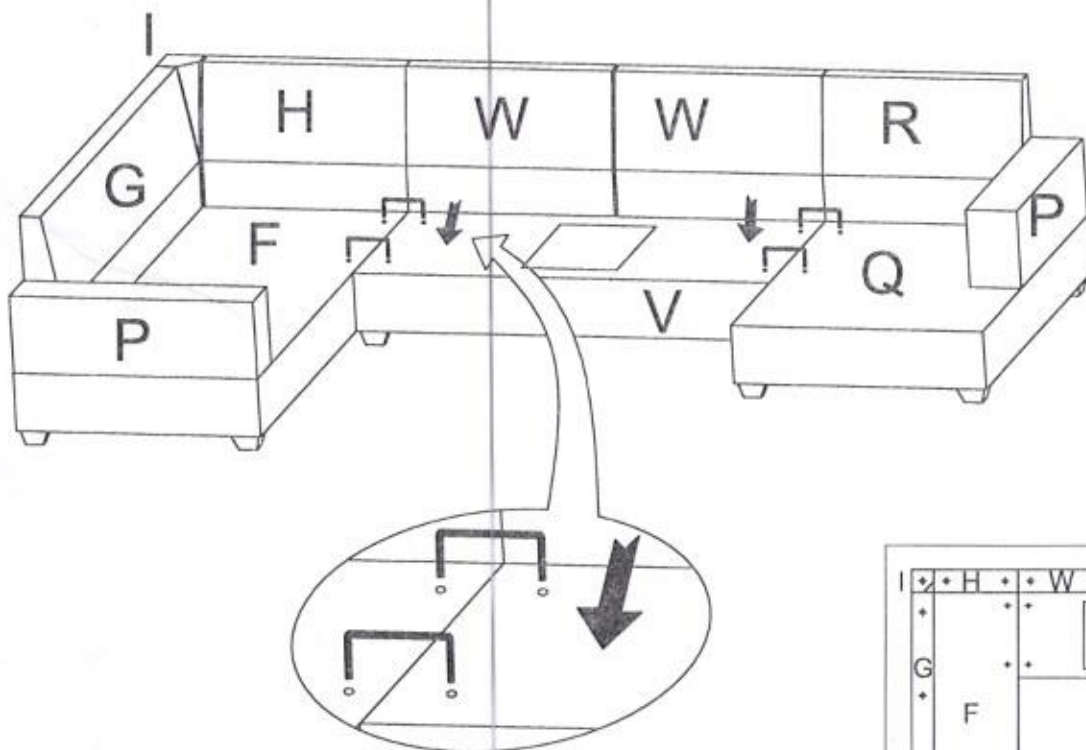


Box 1 CHAISE + SOFA (SECTIONAL)

CHAISE + SOFA CAN BE ATTACHED TOGETHER BY "n" SHAPE AS THE DRAWINGS SHOWN BELOW.



CHAISE ON THE LEFT











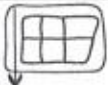
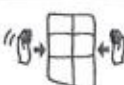
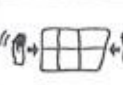



Box 1

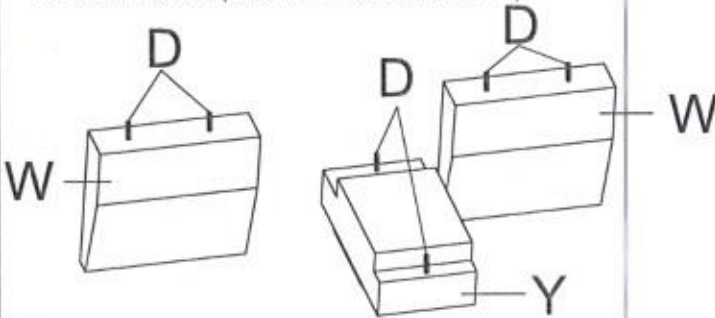
# Assembly Instruction

MODEL: G0940B (80754-2)

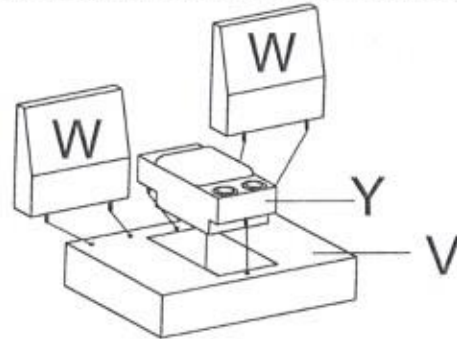
**STEP 1: OPEN, SORT, AND LAY OUT ALL PATS AND HARDWARE. IF YOU HAVE RECEIVED A COUPLE EXTRA, CONGRATS! YOU HAVE SOME SPARE!**

A  X4	B  X6	C  X6	D  X6	M  X2	T  X2	Y  X1	V  X1	W  X2	Z  X4	
				<p>ONE: CUT BAG  DO NOT CUT W/ KNIFE</p>		<p>TWO: FLUFF WIDTH </p>		<p>THREE: FLUFF LENGTH </p>		<p>FOUR: PULL OUT HORIZONTALLY AND LOOSEN FIBERS </p>

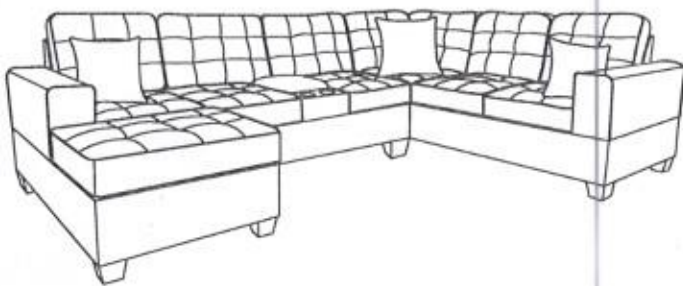
**STEP 2: SCREW IN BOLTS (PART " D ") INTO THE BOTTOM OF THE SEAT BACKS (PARTS "W" AND PARTS "Y").**



**STEP 5: INSERT BACKS WITH BOLTS INTO THESE HOLES AS SHOWN BELOW. USE ATTACH END BOLT ON WITH PART "V"**

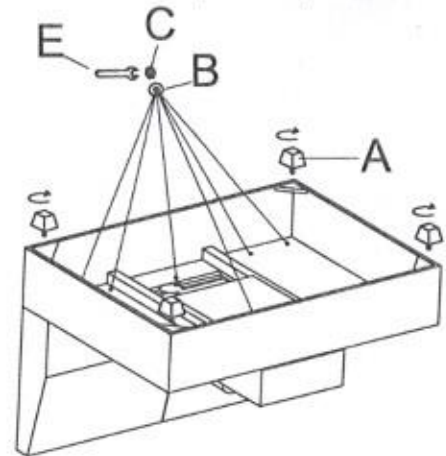


**STEP 3: DETERMINE WHICH SIDE YOU WANT THE CHAISE ON. IF YOU WANT YOU SECTIONAL TO LOOK LIKE THIS: PROCEED TO STEP 4 .**

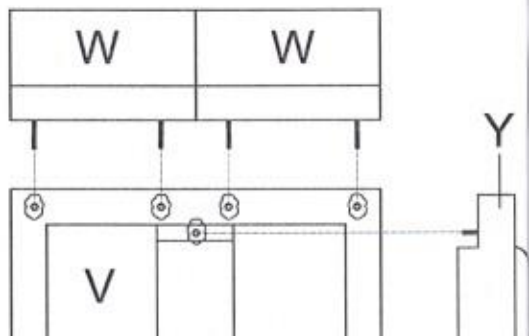


**CHAISE ON THE RIGHT AND LEFT**

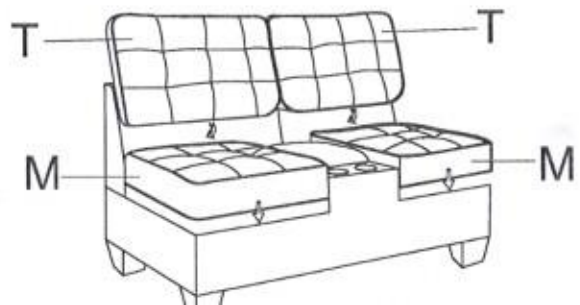
**STEP 6: ATTACH THE LEGS TO THE TRIANGLE LEGS SUPPORTS ON THE BOTTOM OF THE FRAM (PART "V") .**



**STEP 4: LOCATE THESE HOLES ON THE FRAME (PART "V")**



**STEP 7: ARRANGE SEAT AND BACK CUSHIONS ACCORDING TO DIAGRAM BELOW. HAVING TROUBLE PUTTING IT TOGETHER THERE ARE TROUBLESHOOTING TIPS AT THE BOTTOM OF PAGE .**

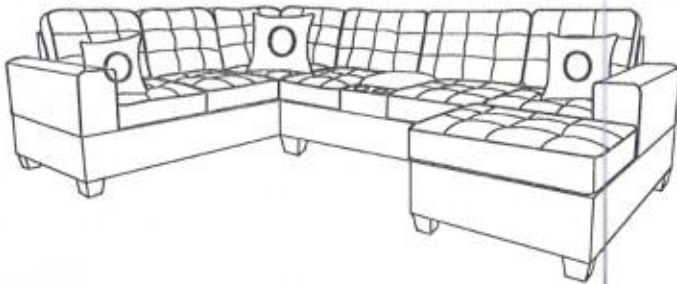


Box 2, 11

# Assembly Instruction

MODEL: G0940B (80754-3)

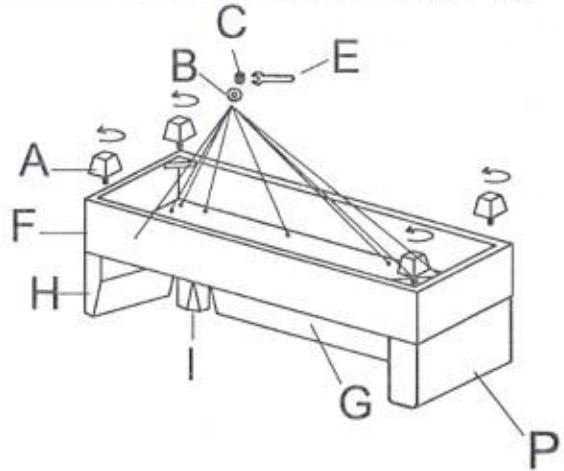
**STEP 3A:** DETERMINE WHICH SIDE YOU WANT THE CHAISE ON. IF YOU WANT YOU SECTIONAL TO LOOK LIKE THIS: PROCEED TO STEP 4.



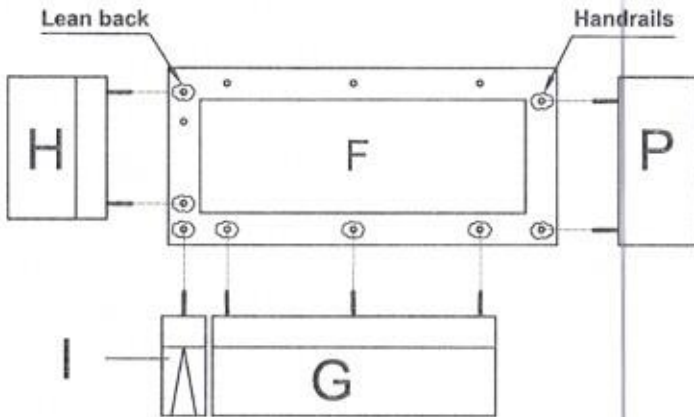
## CHAISE ON THE LEFT

( IF YOU WANT YOUR CHAISE ON THE OTHER SIDE: PLEASE TURN OVER THIS INSTRUCTIONS AND PROCEED TO STEP 3. )

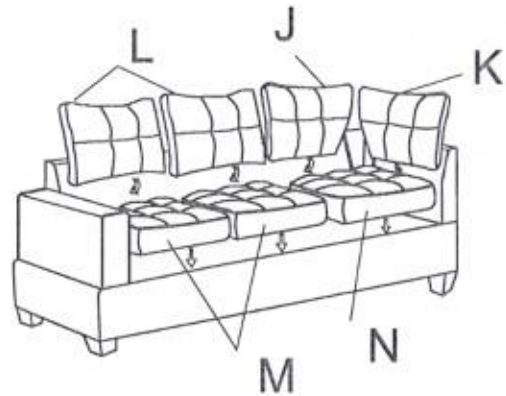
**STEP 6A:** ATTACH THE LEGS TO THE TRIANGLE LEGS SUPPORTS ON THE BOTTOM OF THE FRAM (PART "F").



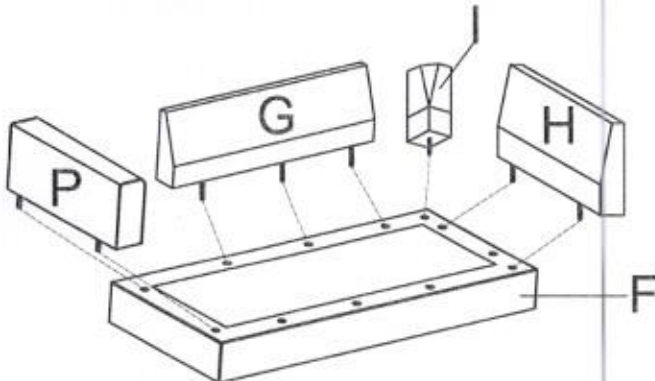
**STEP 4A:** LOCATE THESE HOLES ON THE FRAME (PART "F")



**STEP 7A:** ARRANGE SEAT AND BACK CUSHIONS ACCORDING TO DIAGRAM BELOW. HAVING TROUBLE PUTTING IT TOGETHER THERE ARE TROUBLESHOOTING TIPS AT THE BOTTOM OF PAGE .

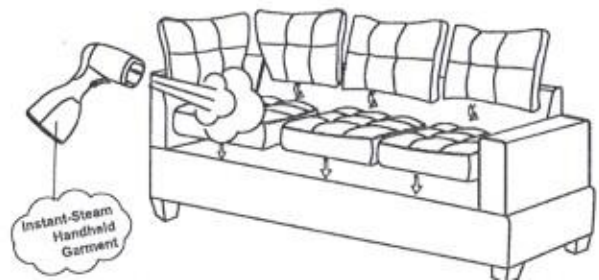


**STEP 5A:** INSERT BACKS WITH BOLTS INTO THESE HOLES AS SHOWN BELOW. USE ATTACH END BOLT ON WITH PART "F"



## TROUBLESHOOT

1. Remove hardware from box and sort by size.
2. Please check to see that all hardware and parts are present prior start of assembly .
3. Please follow attached instructions in the same sequence as numbered to assure fast & css. assembly .
4. Expanding to its original shape within 24 hours .

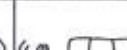
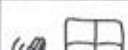
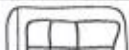


ONE: CUT BAG

TWO: FLUFF WIDTH

THREE: FLUFF LENGTH

FOUR: PULL OUT HORIZONTALLY AND LOOSEN FIBERS

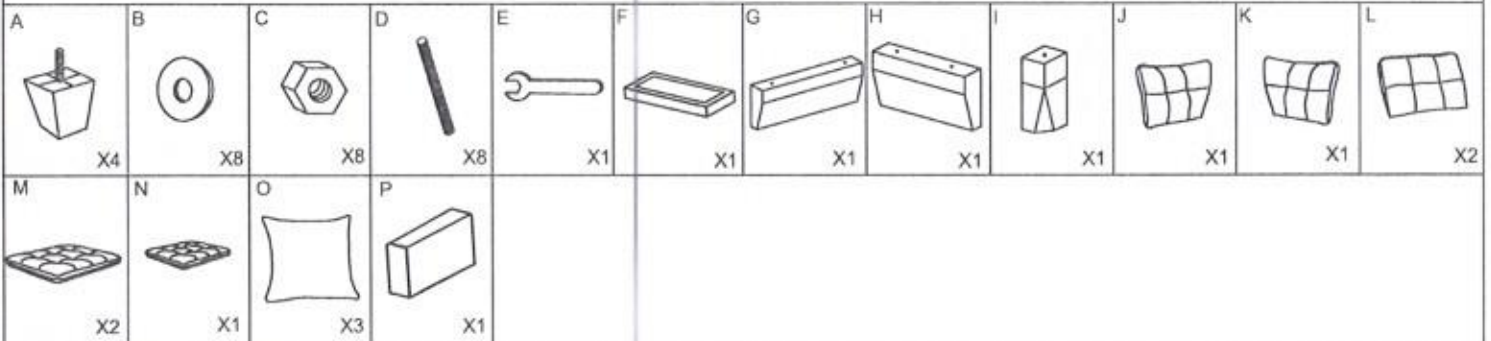


Bot 2

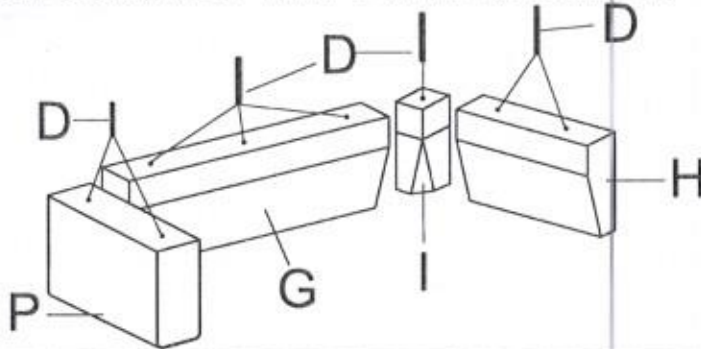
# Assembly Instruction

MODEL: G0940B (80754-3)

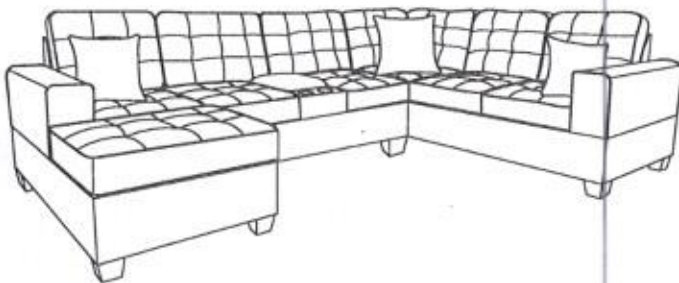
**STEP 1:** OPEN, SORT, AND LAY OUT ALL PARTS AND HARDWARE. IF YOU HAVE RECEIVED A COUPLE EXTRA, CONGRATS! YOU HAVE SOME SPARE!



**STEP 2:** SCREW IN BOLTS (PART "D") INTO THE BOTTOM OF THE SEAT BACKS (PARTS "P" PARTS "G" PARTS "I" AND PARTS "H").



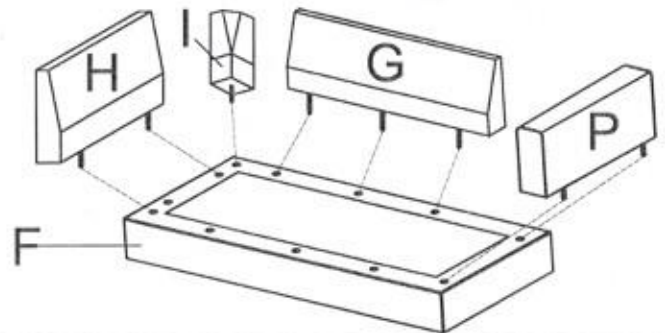
**STEP 3:** DETERMINE WHICH SIDE YOU WANT THE CHAISE ON. IF YOU WANT YOUR SECTIONAL TO LOOK LIKE THIS: PROCEED TO STEP 4.



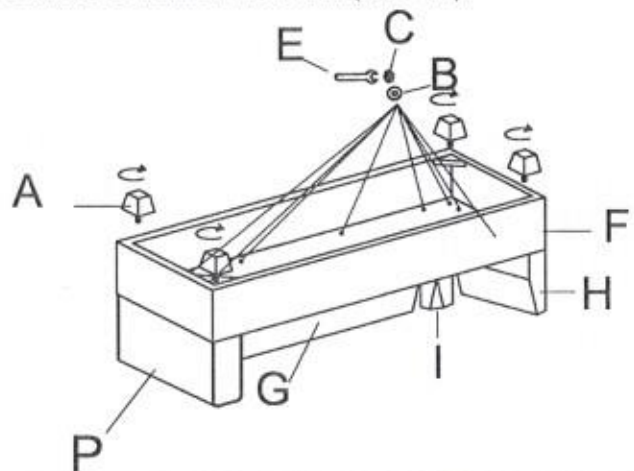
## CHAISE ON THE RIGHT

(IF YOU WANT YOUR CHAISE ON THE OTHER SIDE: PLEASE TURN OVER THIS INSTRUCTIONS AND PROCEED TO STEP 3A.)

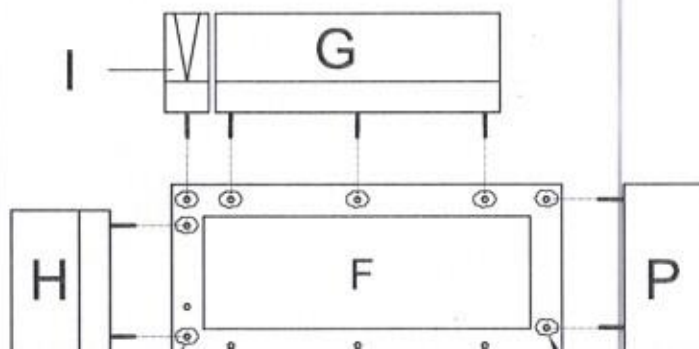
**STEP 5:** INSERT BACKS WITH BOLTS INTO THESE HOLES AS SHOWN BELOW. USE ATTACH END BOLT ON WITH PART "F"



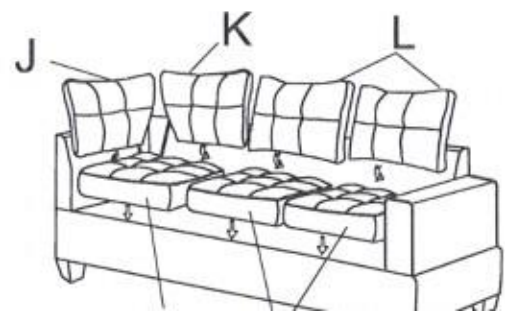
**STEP 6:** ATTACH THE LEGS TO THE TRIANGLE LEGS SUPPORTS ON THE BOTTOM OF THE FRAM (PART "F").



**STEP 4:** LOCATE THESE HOLES ON THE FRAME (PART "F")



**STEP 7:** ARRANGE SEAT AND BACK CUSHIONS ACCORDING TO DIAGRAM BELOW. HAVING TROUBLE PUTTING IT TOGETHER THERE ARE TROUBLESHOOTING TIPS AT THE BOTTOM OF PAGE.

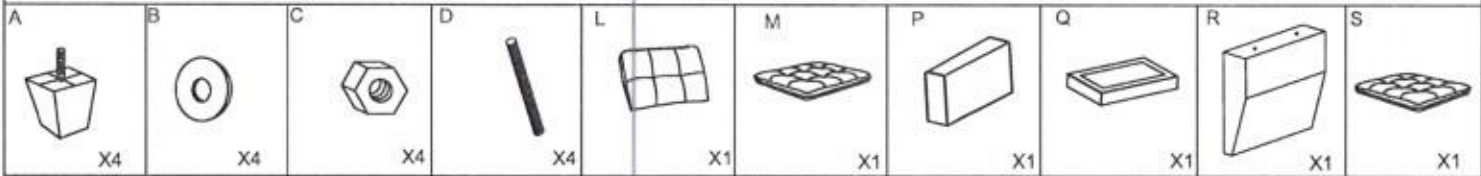


Box 3 =

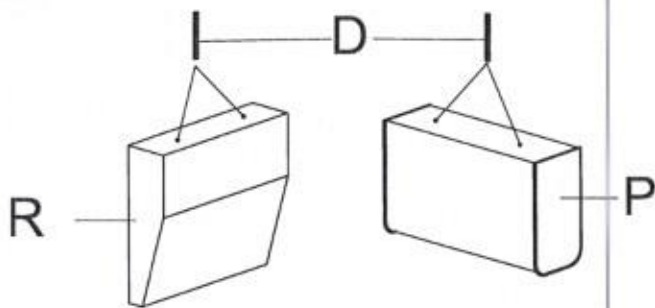
# Assembly Instruction

## MODEL: G0940B (80754-C)

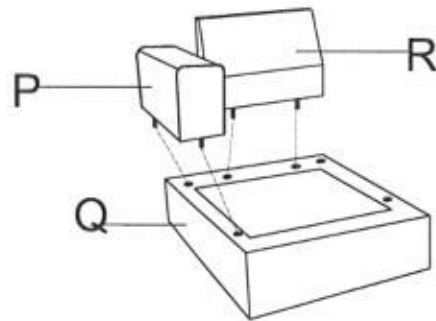
**STEP 1:** OPEN, SORT, AND LAY OUT ALL PARTS AND HARDWARE. IF YOU HAVE RECEIVED A COUPLE EXTRA, CONGRATS! YOU HAVE SOME SPARE!



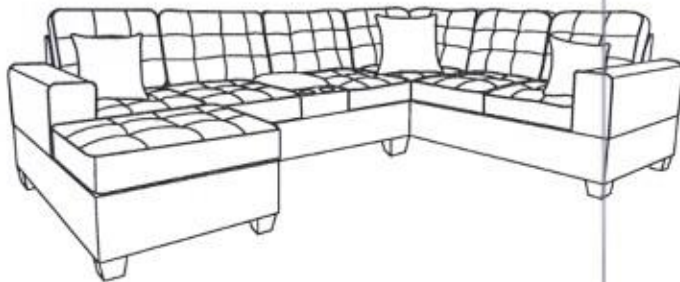
**STEP 2:** SCREW IN BOLTS (PART "D") INTO THE BOTTOM OF THE SEAT BACKS (PARTS "R" AND PARTS "P").



**STEP 5:** INSERT BACKS WITH BOLTS INTO THESE HOLES AS SHOWN BELOW. USE ATTACH END BOLT ON WITH PART "Q"



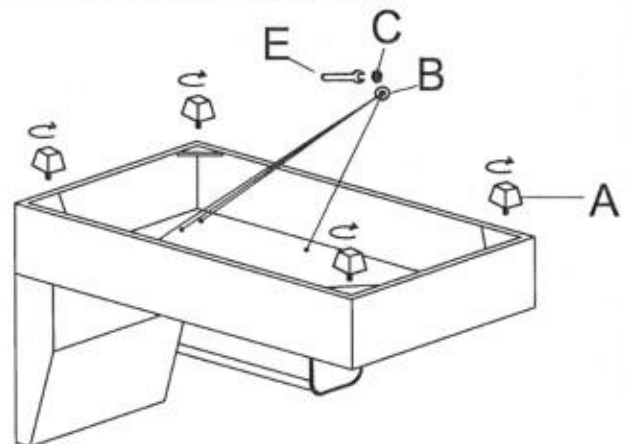
**STEP 3:** DETERMINE WHICH SIDE YOU WANT THE CHAISE ON. IF YOU WANT YOUR SECTIONAL TO LOOK LIKE THIS: PROCEED TO STEP 4.



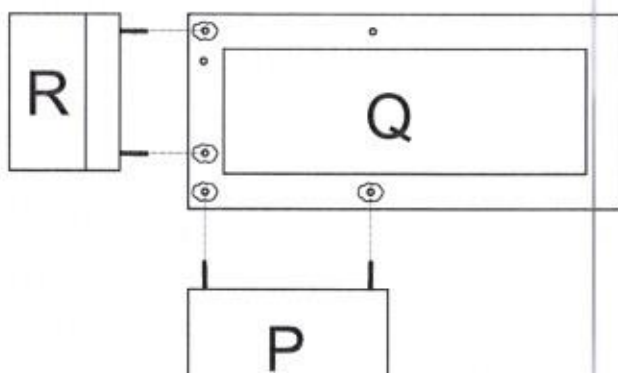
### CHAISE ON THE RIGHT

( IF YOU WANT YOUR CHAISE ON THE OTHER SIDE: PLEASE TURN OVER THIS INSTRUCTIONS AND PROCEED TO STEP 3A. )

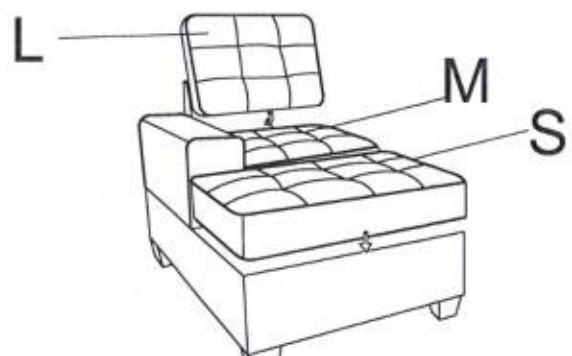
**STEP 6:** ATTACH THE LEGS TO THE TRIANGLE LEGS SUPPORTS ON THE BOTTOM OF THE FRAM (PART "Q").



**STEP 4:** LOCATE THESE HOLES ON THE FRAME (PART "Q")



**STEP 7:** ARRANGE SEAT AND BACK CUSHIONS ACCORDING TO DIAGRAM BELOW. HAVING TROUBLE PUTTING IT TOGETHER THERE ARE TROUBLESHOOTING TIPS AT THE BOTTOM OF PAGE.

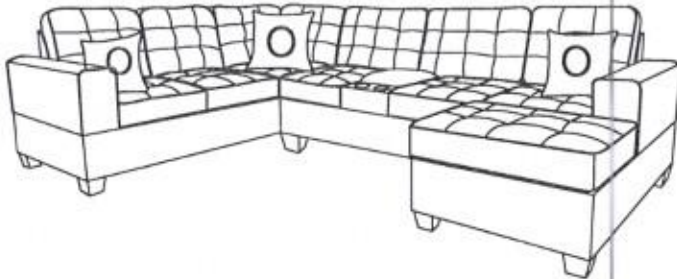


Box 3

# Assembly Instruction

MODEL: G0940B (80754-C)

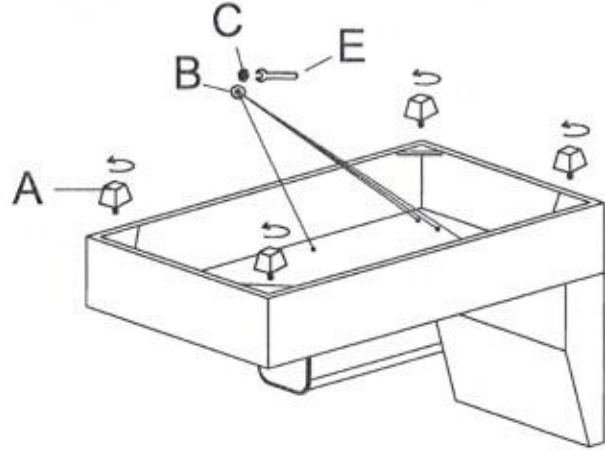
**STEP 3A:** DETERMINE WHICH SIDE YOU WANT THE CHAISE ON. IF YOU WANT YOU SECTIONAL TO LOOK LIKE THIS: PROCEED TO STEP 4 .



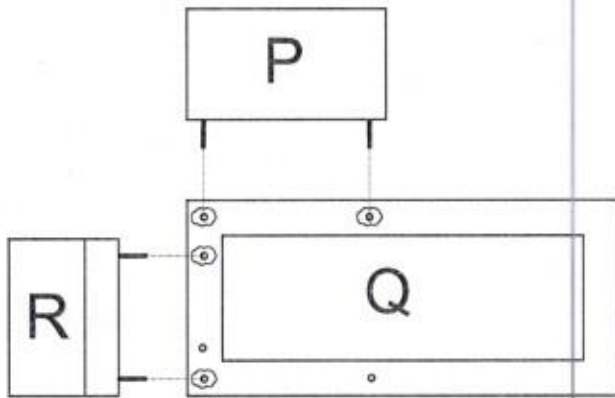
## CHAISE ON THE LEFT

( IF YOU WANT YOUR CHAISE ON THE OTHER SIDE: PLEASE TURN OVER THIS INSTRUCTIONS AND PROCEED TO STEP 3 . )

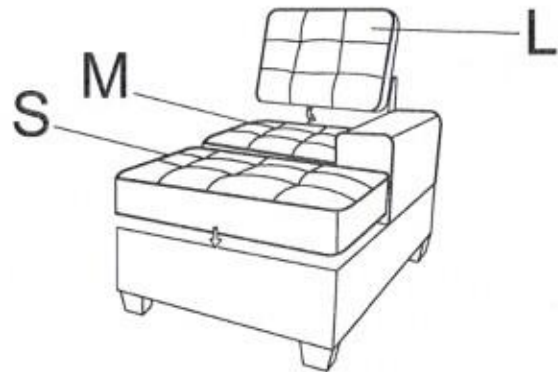
**STEP 6A:** ATTACH THE LEGS TO THE TRIANGLE LEGS SUPPORTS ON THE BOTTOM OF THE FRAM (PART "Q") .



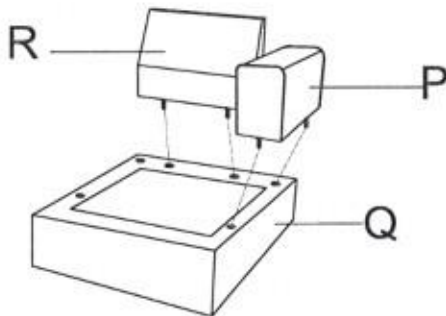
**STEP 4A:** LOCATE THESE HOLES ON THE FRAME (PART "Q")



**STEP 7A:** ARRANGE SEAT AND BACK CUSHIONS ACCORDING TO DIAGRAM BELOW. HAVING TROUBLE PUTTING IT TOGETHER THERE ARE TROUBLESHOOTING TIPS AT THE BOTTOM OF PAGE .



**STEP 5A:** INSERT BACKS WITH BOLTS INTO THESE HOLES AS SHOWN BELOW. USE ATTACH END BOLT ON WITH PART "Q"



## TROUBLESHOOT

1. Remove hardware from box and sort by size.
2. Please check to see that all hardware and parts are present prior start of assembly .
3. Please follow attached instructions in the same sequence as numbered to assure fast & css. assembly .

**4. Expanding to its original shape within 24 hours .**



**ONE:** CUT BAG

**TWO:** FLUFF WIDTH

**THREE:** FLUFF LENGTH

**FOUR:** PULL OUT HORIZONTALLY AND LOOSEN FIBERS

