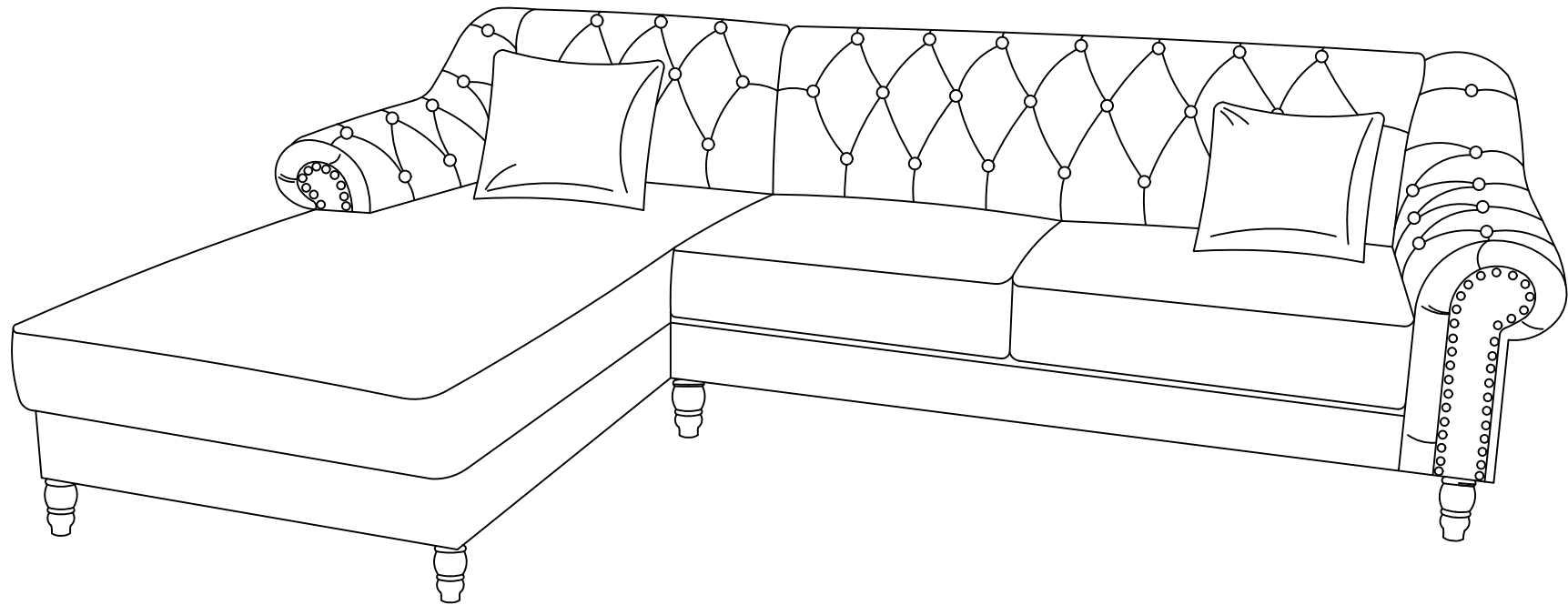


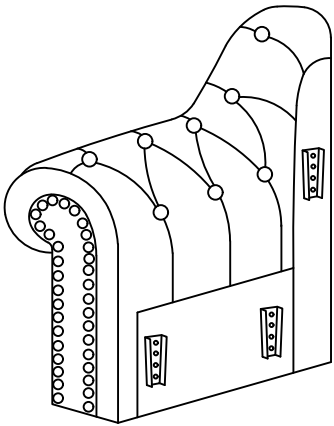
Attention:  
Two people are required for  
assembly and lifting unit.

# ASSEMBLY INSTRUCTION



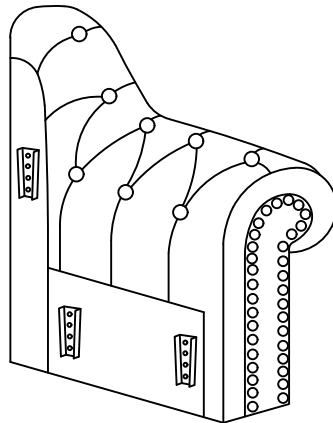
# ASSEMBLY PART

A.



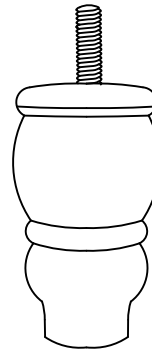
Left Arm (1pc)

B.



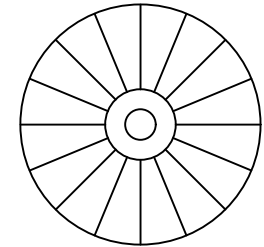
Right Arm (1pc)

C.



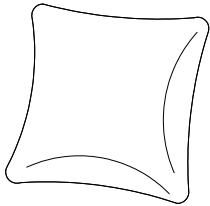
Leg (9pcs)

D.



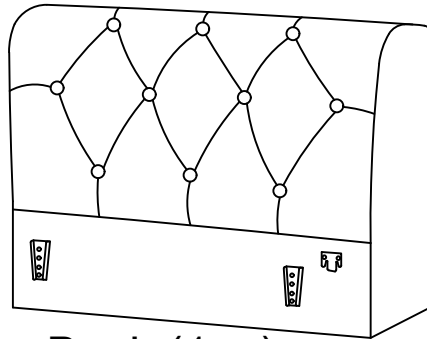
Plastic Washer (9pcs)

E.



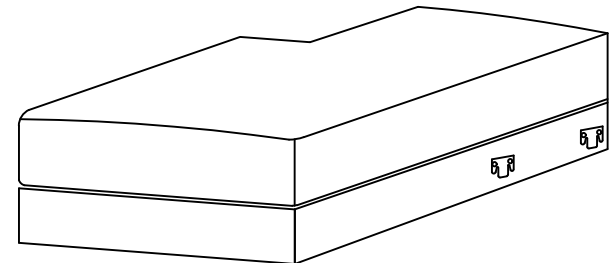
Pillow (2pcs)

F.



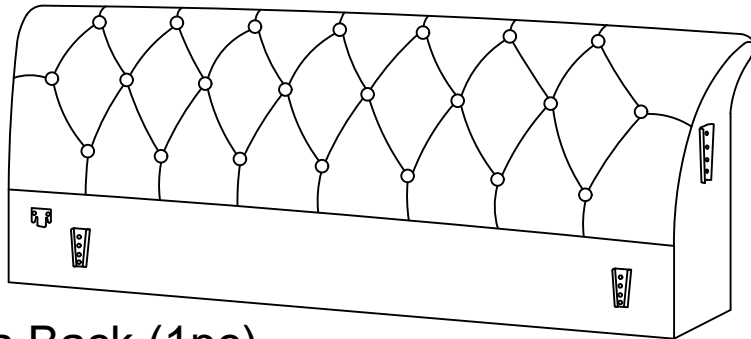
Chaise Back (1pc)

G.



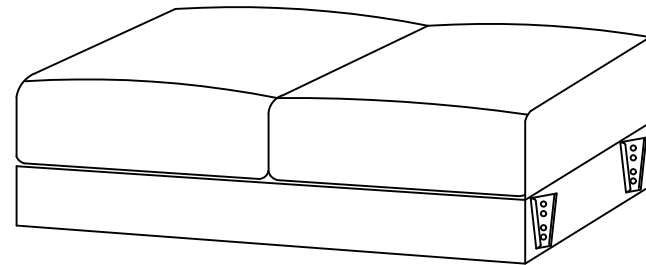
Chaise Seat (1pc)

H.



Sofa Back (1pc)

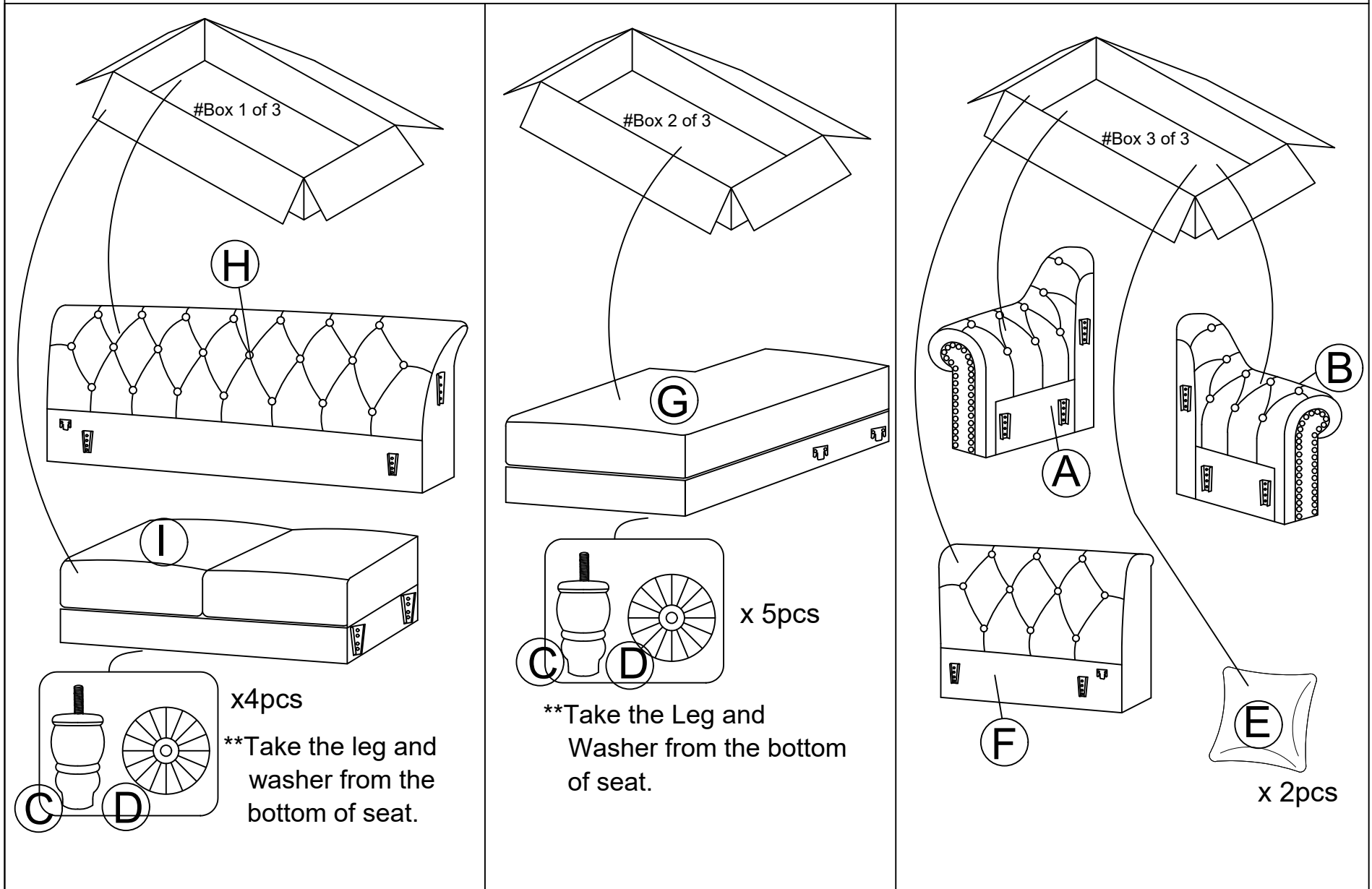
I.



Sofa Seat (1pc)

# ASSEMBLY PART

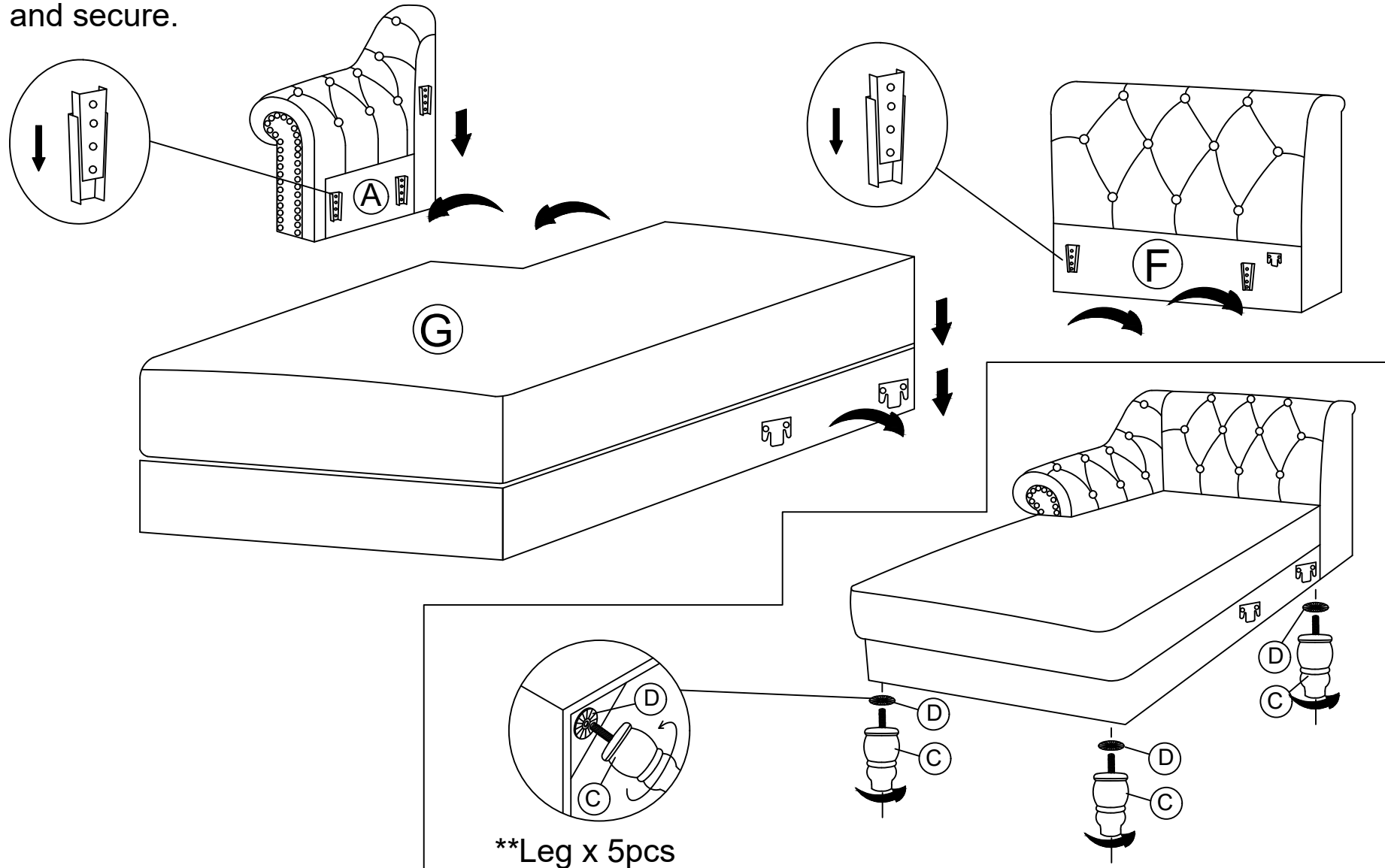
Box Opening  
Please remove all the part from box.



# ASSEMBLY STEPS

## STEP 1

Hook the the Chaise Seat (G) to Chaise Back (F), then to the Left Arm (A).  
Attach the Leg (C) with Plastic Washer (D) to the Chaise Body. Make sure it is fully tighten  
and secure.

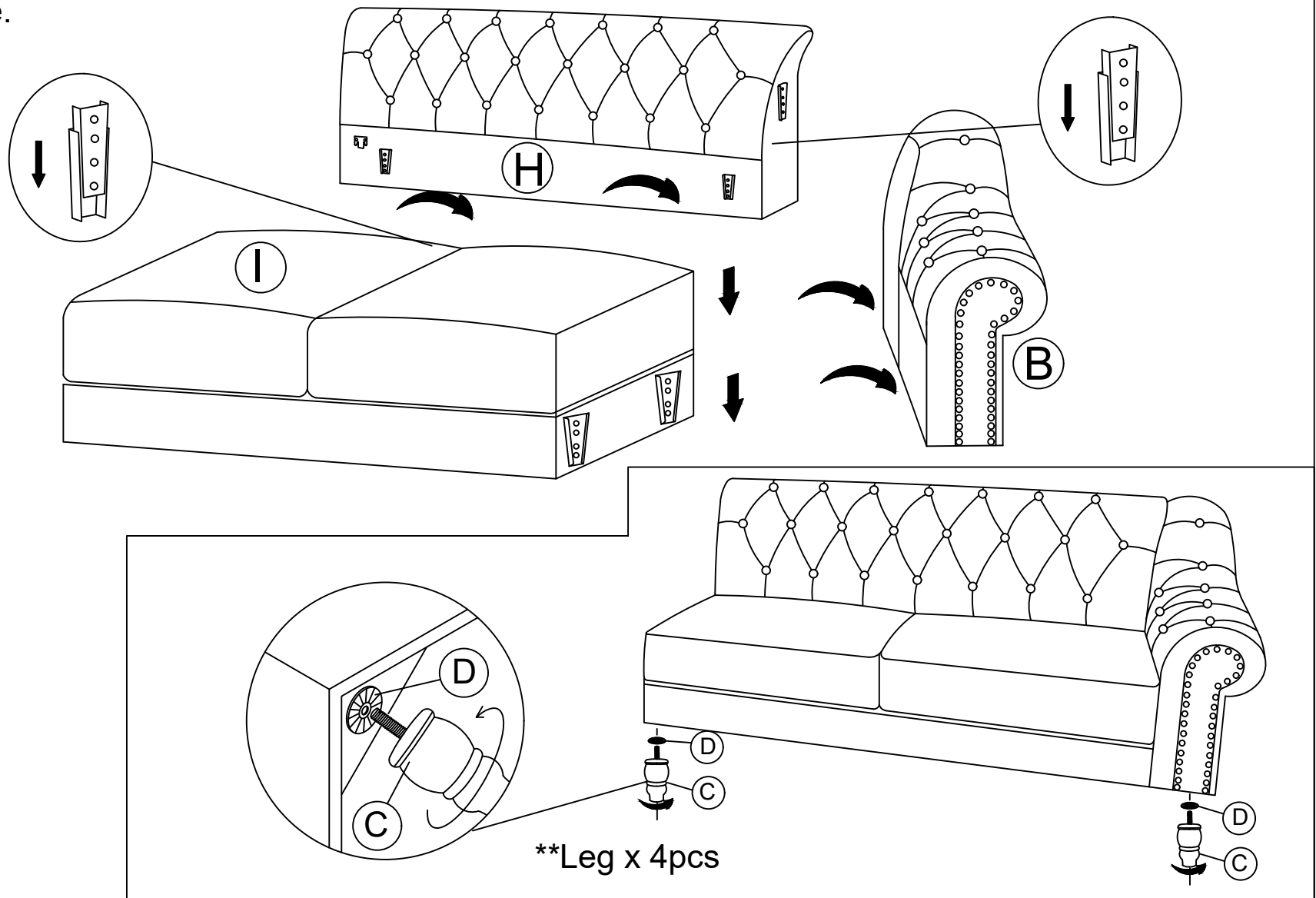


# ASSEMBLY STEPS

## STEP 2

Hook the Sofa Seat (i) to the Sofa Back (H), then to the Right Arm (B).

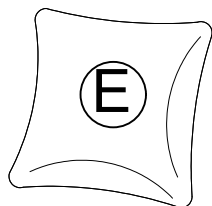
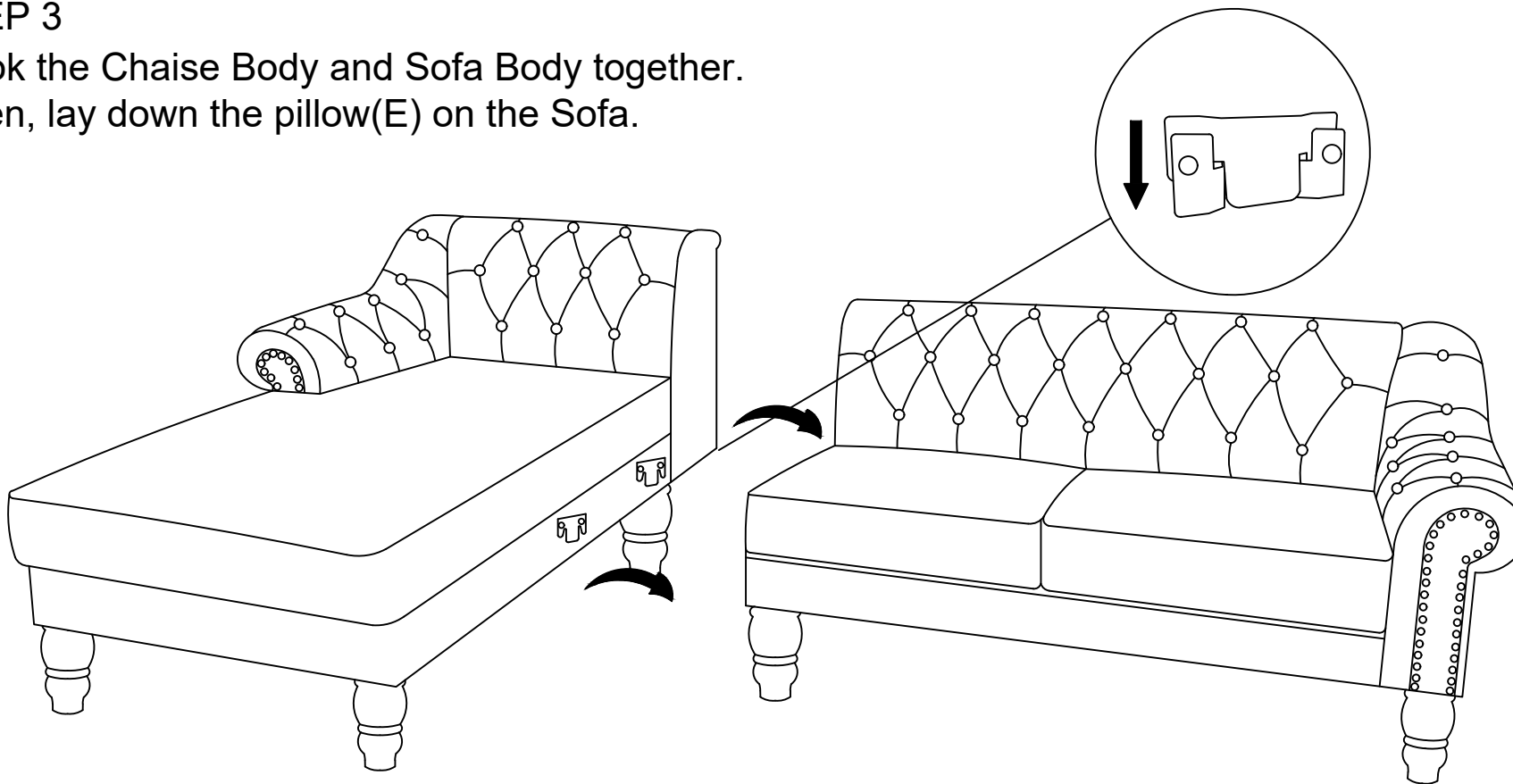
Attach the Leg (C) with Plastic Washer (D) to the Sofa Body. Make sure it is fully tighten and secure.



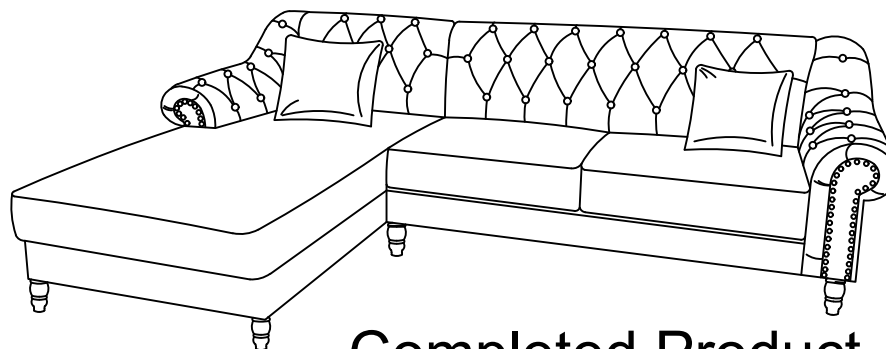
# ASSEMBLY STEPS

## STEP 3

Hook the Chaise Body and Sofa Body together.  
Then, lay down the pillow(E) on the Sofa.



Lay Pillow on  
the Assembled  
Sofa.  
x 2pcs



Completed Product.