

ASSEMBLY INSTRUCTION

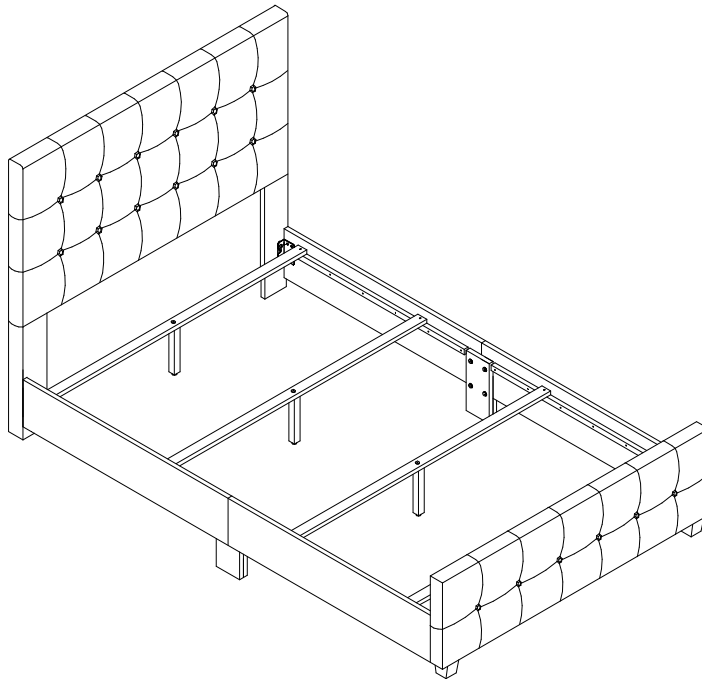
TWIN BED

IMPORTANT SAFETY NOTICE READ CAREFULLY BEFORE BEGINNING ASSEMBLY!

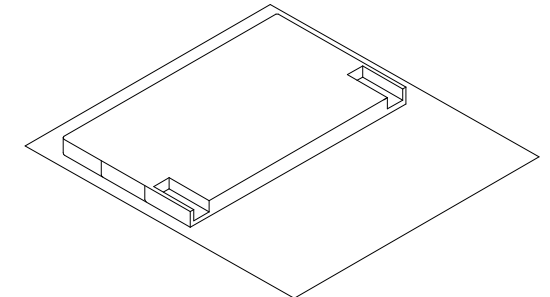
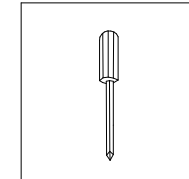
- * Before you begin, please read the Assembly Instruction carefully, identify all the parts, and hardware included. Do Not skip any steps and follow the assembly steps in order.
- * Place parts on the carton while installing to prevent damage or scratches. Be sure to check all packing materials carefully for small parts may have come loose inside the cartoon during shipment. If parts are missing, contact the retailer from which your purchased the product to obtain any missing part. **DO NOT USE SUBTITUTE PART.**
- * Some steps may require two or more people, do not attempt by yourself as there is a risk injury.

NOTE: GLORY FURNITURE DISCLAIMS ANY LIABILITY FOR DAMAGES OR INJURIES WHICH MAY OCCUR DUE TO FAILURE TO PROPERLY FOLLOW ASSEMBLY INSTRUCTION, FAILURE TO PROPER ASSEMBLY OR FAILURE TO PROPERLY USE OF THE PRODUCT.

NOTE: YOUR UNIT MAY LOOK DIFFERENT IN APPEARANCE FROM THE ONE SHOWN IN THE ILLUSTRATIONS ON THIS INSTRUCTION SHEET.



Required Tools : Screwdriver



Please place on the carton while installing to prevent damage or scratches.

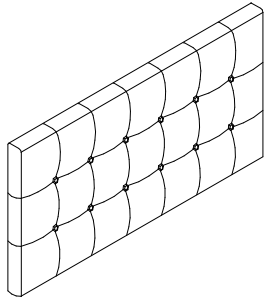


ASSEMBLY INSTRUCTION

TWIN BED

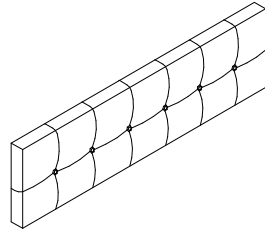
ASSEMBLY PART

1.



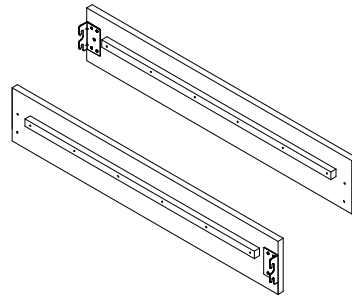
HEADBOARD PANEL

2.



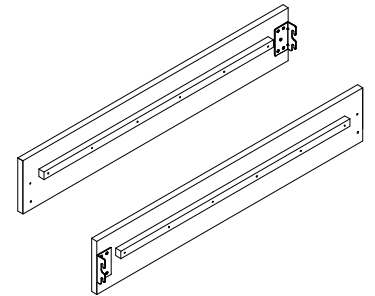
FOOTBOARD PANEL

3.



SIDE RAIL RIGHT (2PCS)

4.



SIDE RAIL LEFT (2PCS)

5.



SUPPORT LEG (4PCS)

6.



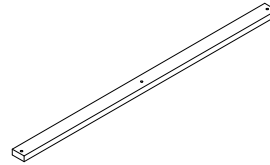
FOOTBOARD LEG (2PCS)

7.



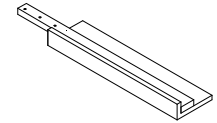
SIDE RAIL LEG (2PCS)

8.



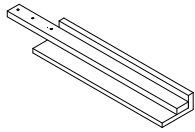
SLATS (4PCS)

9.

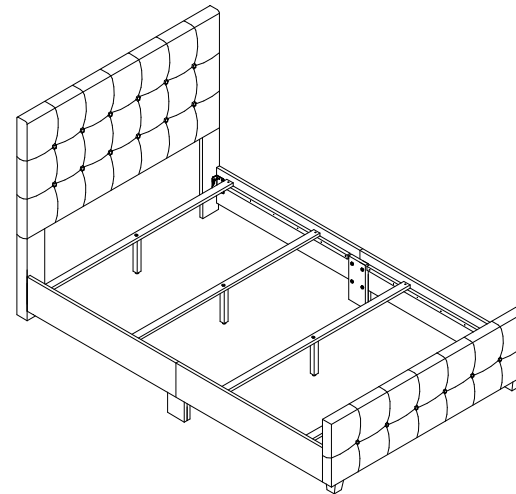


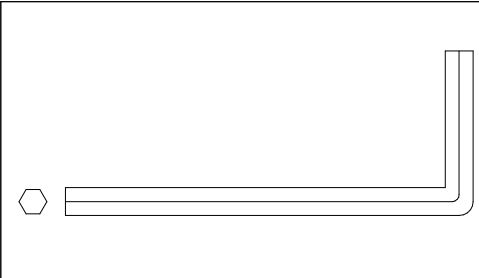
HEADBOARD LEG RIGHT (1PC)

10.



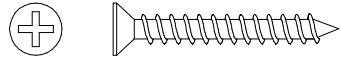
HEADBOARD LEG LEFT (1PC)





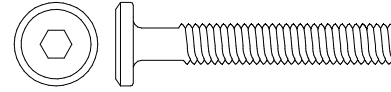
A | **1PC**

Allen Key M4



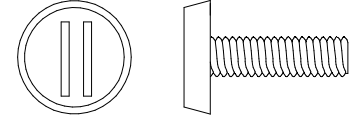
B | **8PCS**

Chipboard Screw
M4 X 32mm



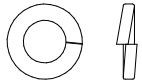
C | **18PCS**

JCBC Bolt
M6 X 35mm



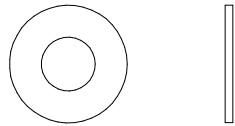
D | **4PCS**

Adjuster Screw
M6 X 24mm



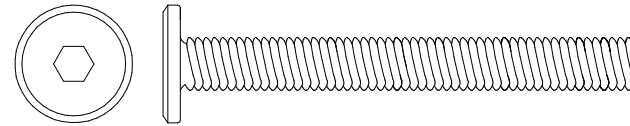
E | **18PCS**

Spring Washer M6



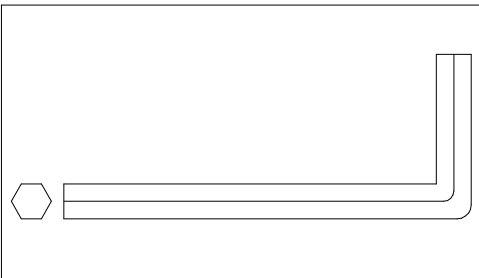
F | **18PCS**

Flat Washer M6



G | **2PCS**

JCBB Bolt
M8 X 70mm



H | **1PC**

Allen Key M5

1 : 1

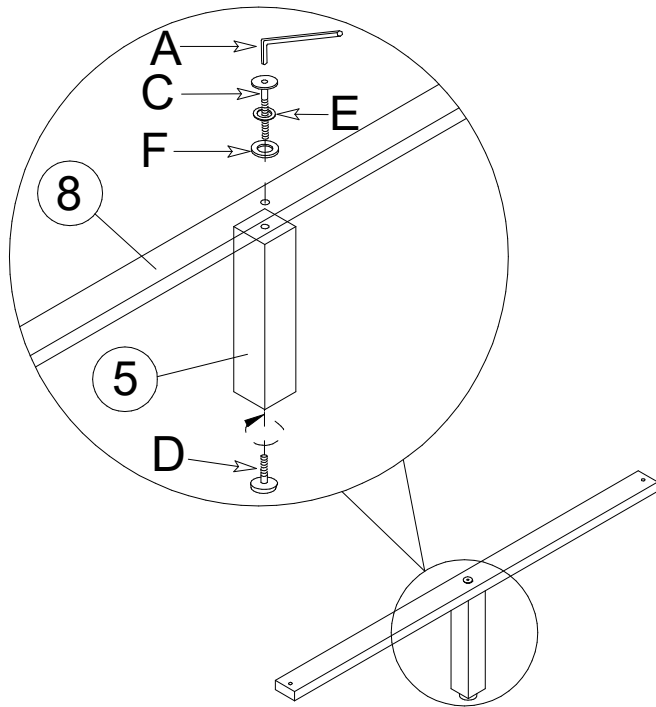


ASSEMBLY INSTRUCTION

TWIN BED

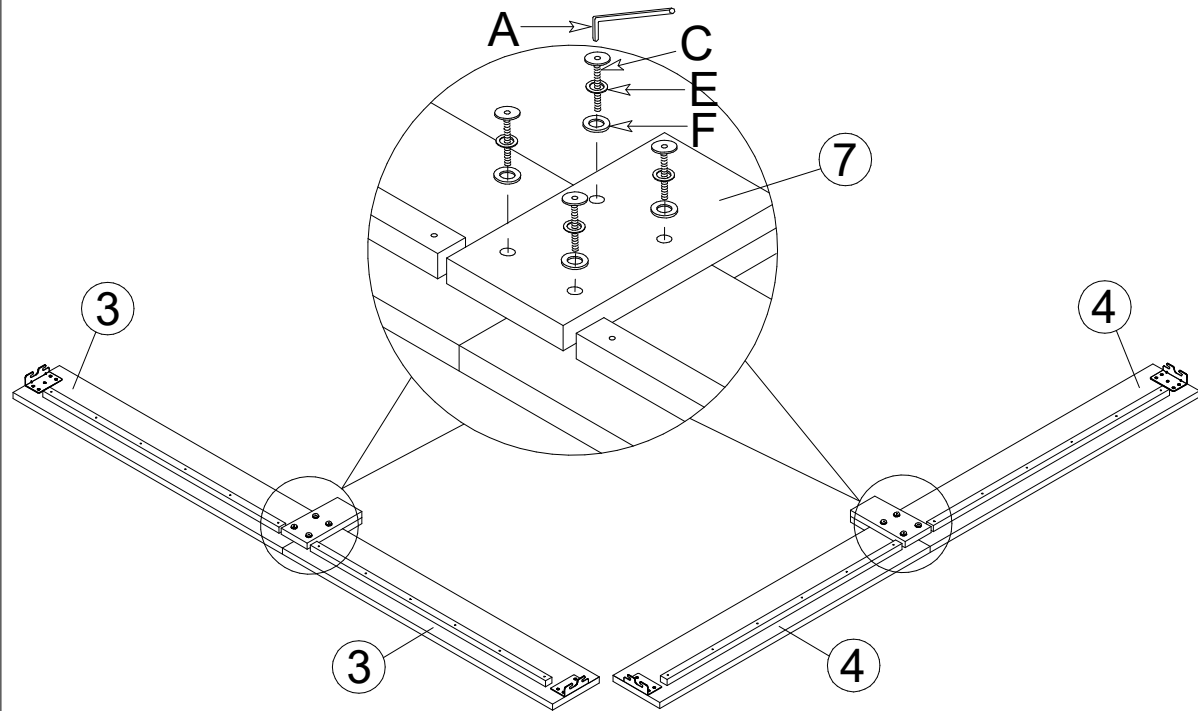
STEP 1.

Attach the Slats (8) to Support Leg (5). JCBC Bolt (C), Spring Washer (E), Flat Washer (F) and Allen Key (A) to fix.



STEP 2.

Attach and tighten the Side Rail Right (3) (2pcs) & Side Rail Left (4) (2pcs) to Side Rail Leg (7) (2pcs.) Use JCBC Bolt (C), Spring Washer (E), Flat Washer (F) and Allen Key (A) to fix.

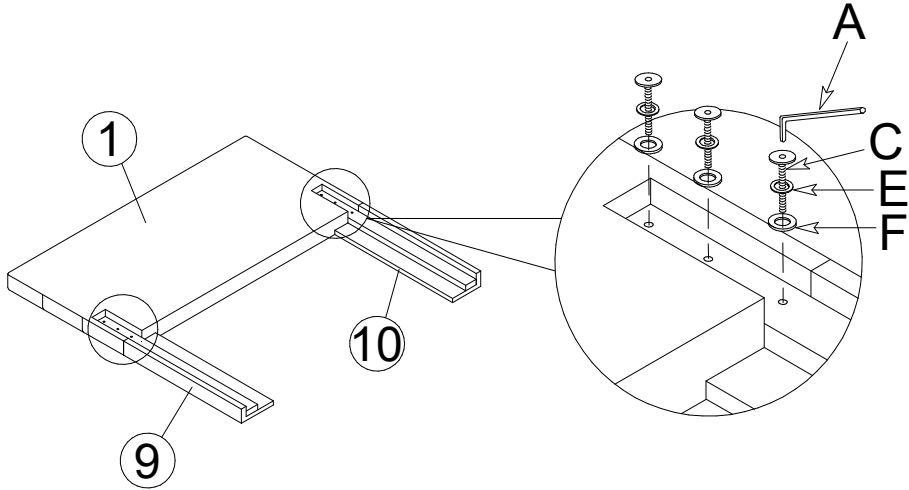


ASSEMBLY INSTRUCTION

TWIN BED

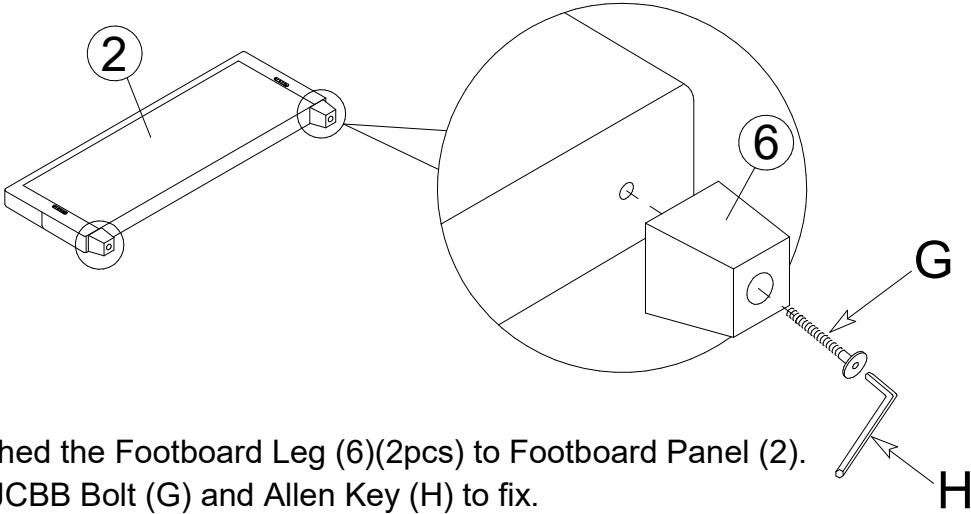
STEP 3.

Attach the Headboard Right Leg (9) and Headboard Left Leg (10) use JCBC Bolt (C), Spring Wahser (E) & Flat Washer (F) and Allen Key (A) to fix.



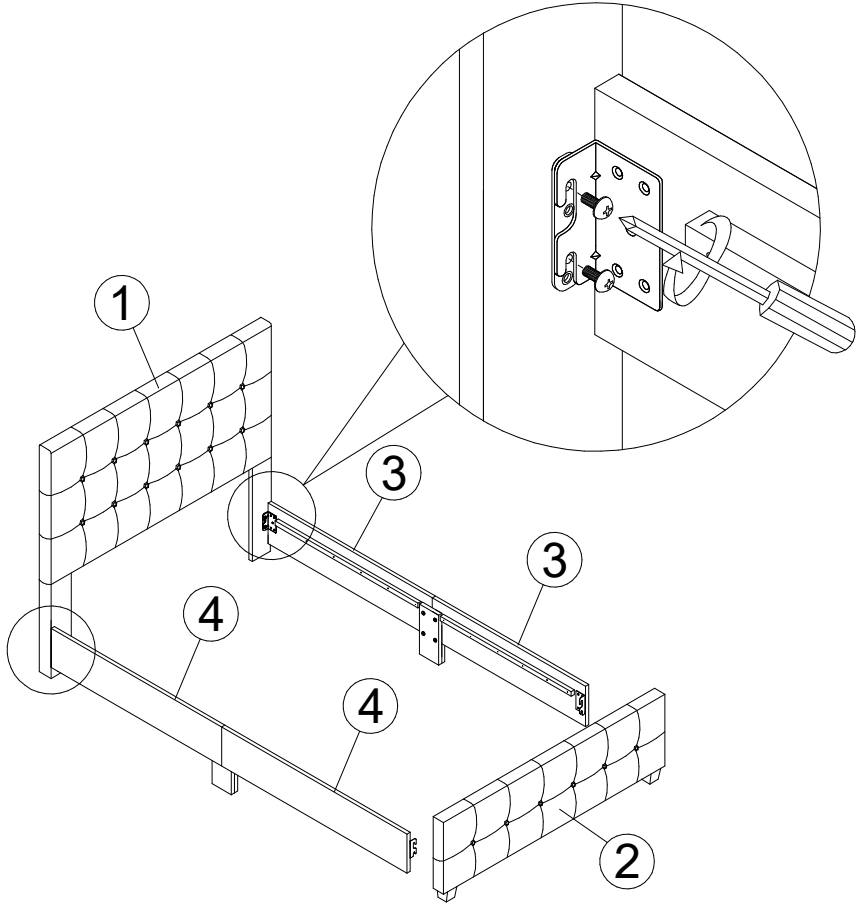
STEP 4.

Attached the Footboard Leg (6)(2pcs) to Footboard Panel (2). Use JCBB Bolt (G) and Allen Key (H) to fix.



STEP 5.

Attach (hook) the Side Rail to Headboard Panel (1) and Footboard Panel (2). Use Screw and screwdriver to fix.



ASSEMBLY INSTRUCTION

TWIN BED

STEP 6.

Attach and tighten the Slats (8) to Side Rail. Adjusting the leg adjuster to the floor. Use screw M4 x 32mm (B) and screwdriver to fix.

