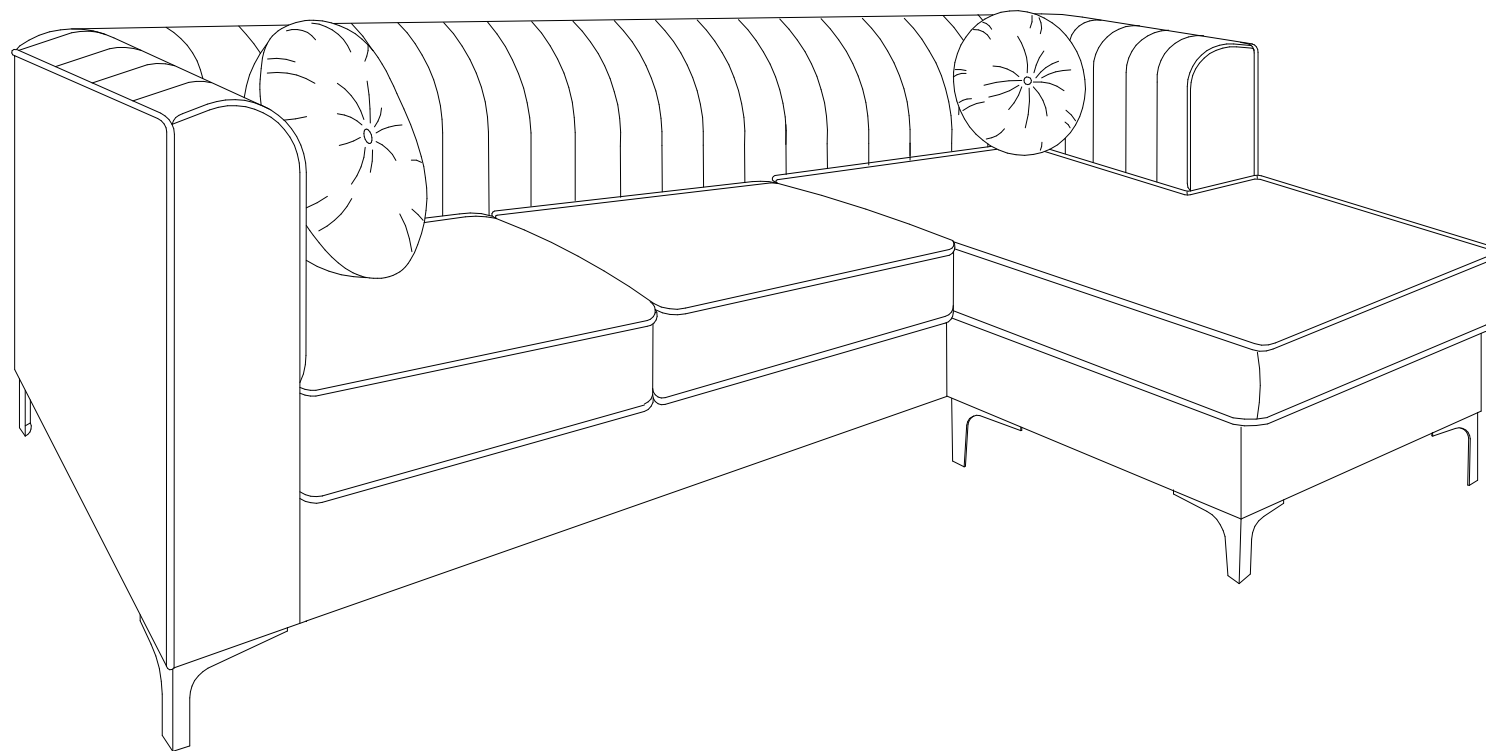
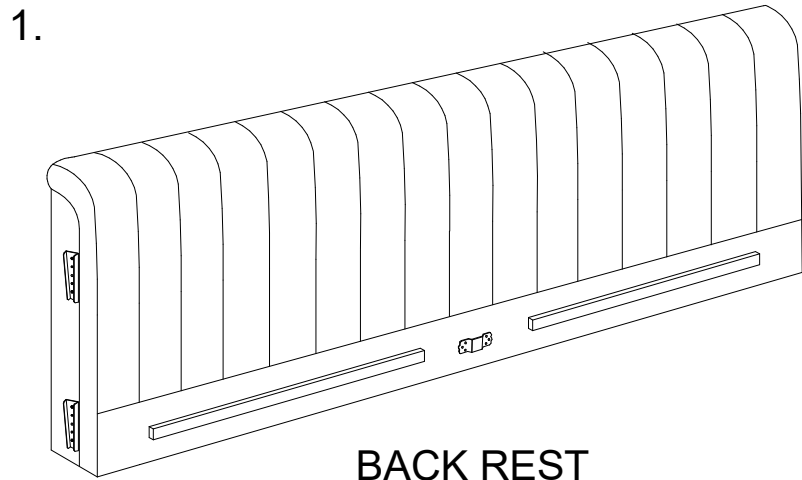


Attention:
Two people are required for assembly and lifting unit.

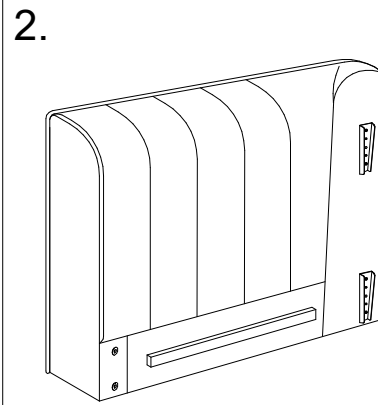
ASSEMBLY INSTRUCTION



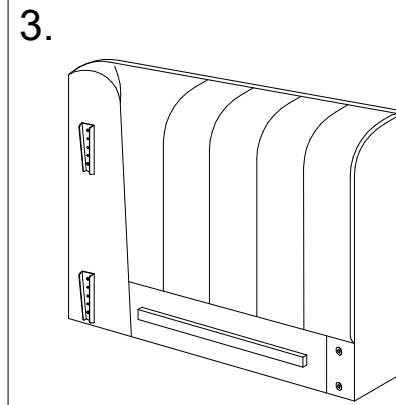
ASSEMBLY PART



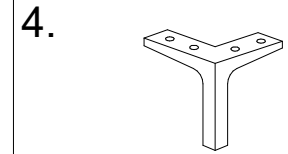
1. BACK REST



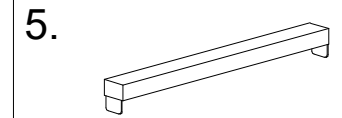
2. LEFT ARM (L)



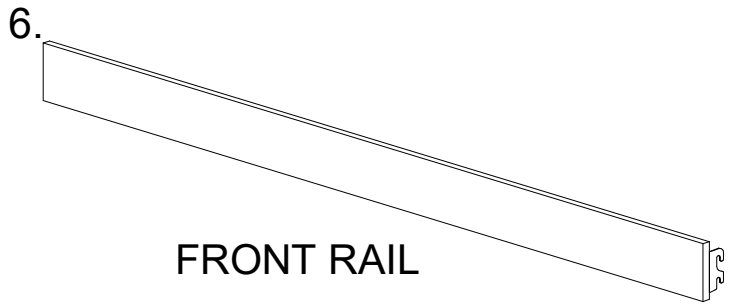
3. RIGHT ARM (R)



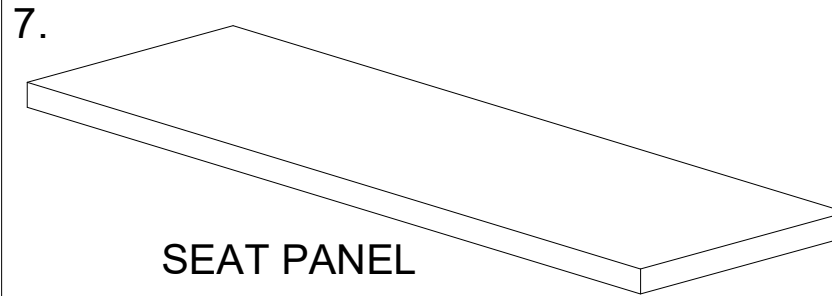
4. LEG (8PCS)



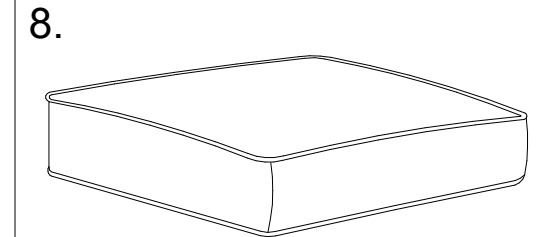
5. SEAT PANEL SUPPORT



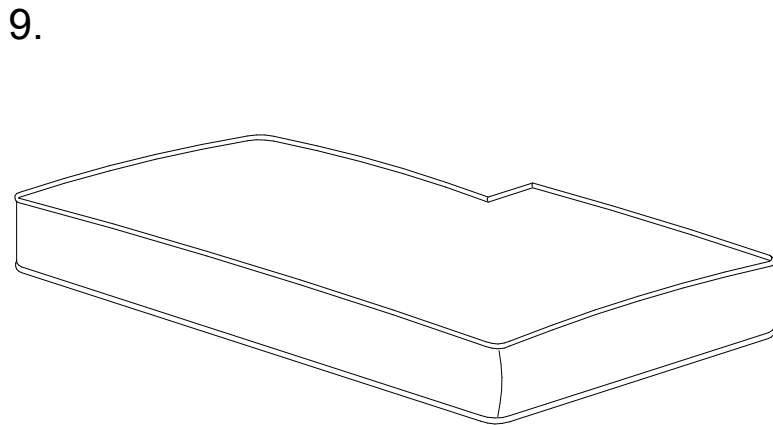
6. FRONT RAIL



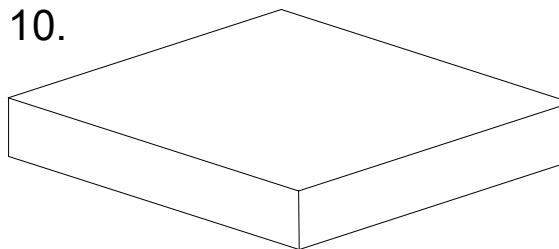
7. SEAT PANEL



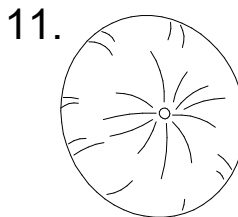
8. SEAT CUSHION (2PCS)




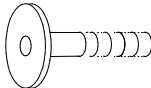

9. CHAISE CUSHION



10. CHAISE BASE

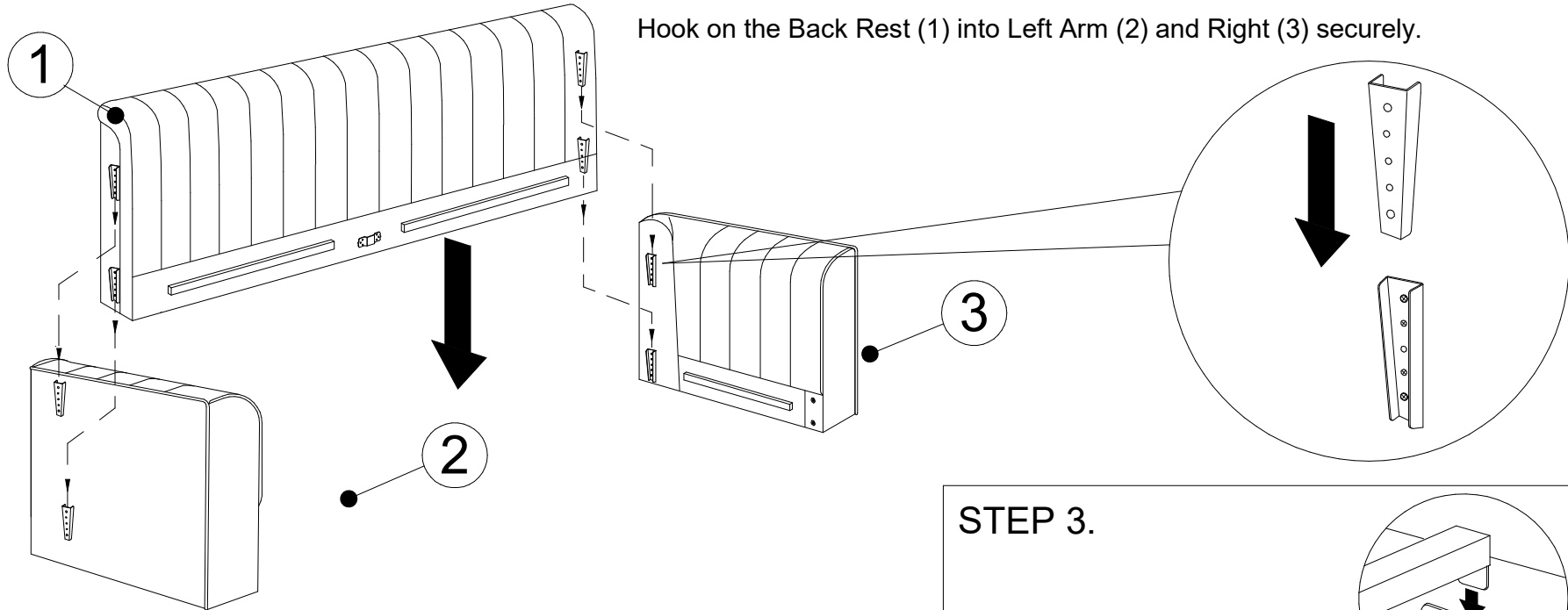


11. PILLOW (2PCS)

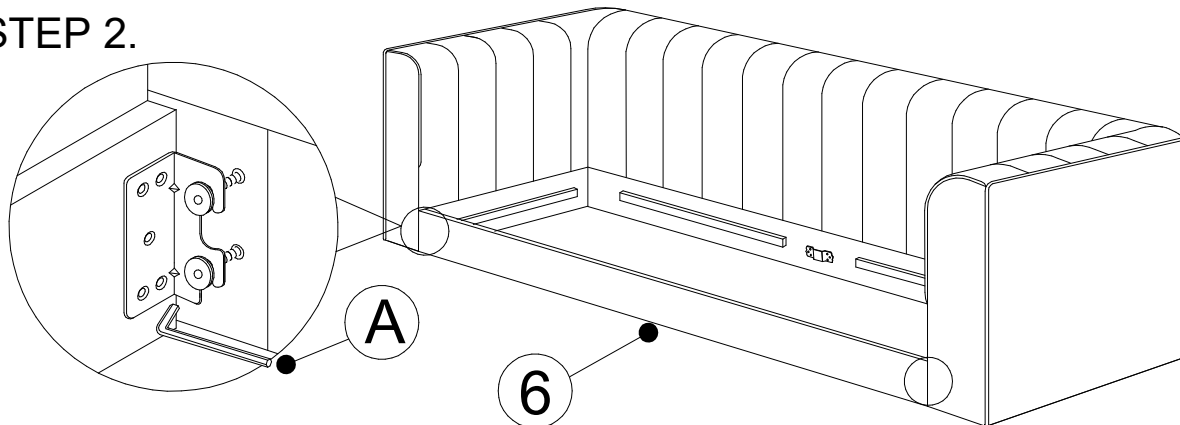
NO	HARDWARE DESCRIPTION	QTY
A.	Allen Key 	1PC
B.	20mm Bolt 	16PCS
C.	Flat Washer 	16PCS

ASSEMBLY INSTRUCTION

STEP 1.

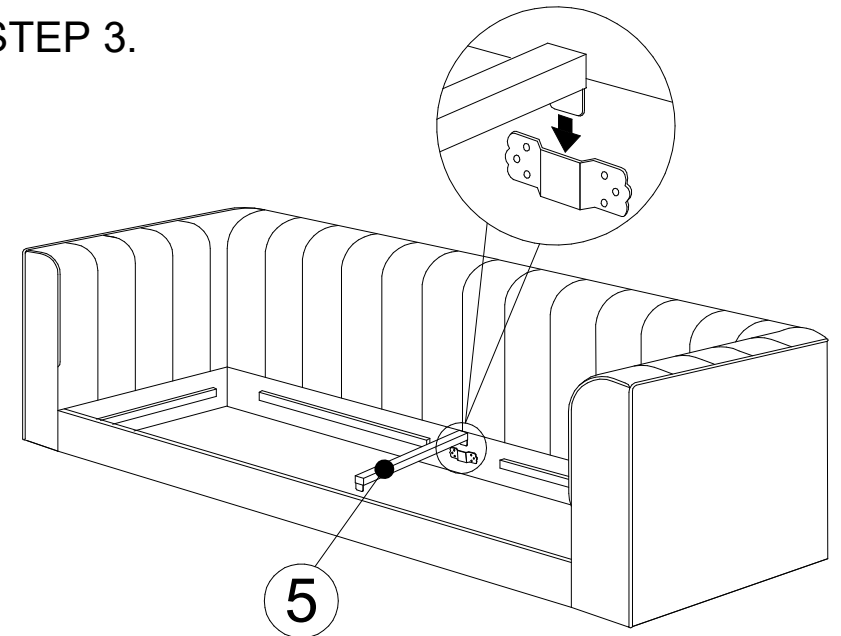


STEP 2.



Slightly loosen the four bolts using Allen Key (A) without removing the bolts completely from both Side Arms (2 and 3). Hook on Front Rail (6) hooks into loosen bolts, once placed tighten and secure all four bolts with Allen Key (A).

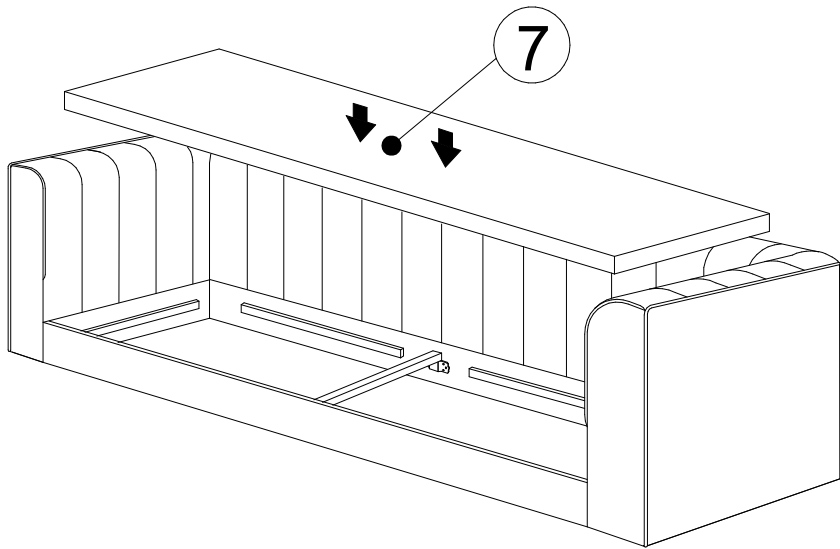
STEP 3.



Hook on and secure SEAT PANEL SUPPORT (5) to the two metal slots on both Front Rail (6) and Back Rest (1).

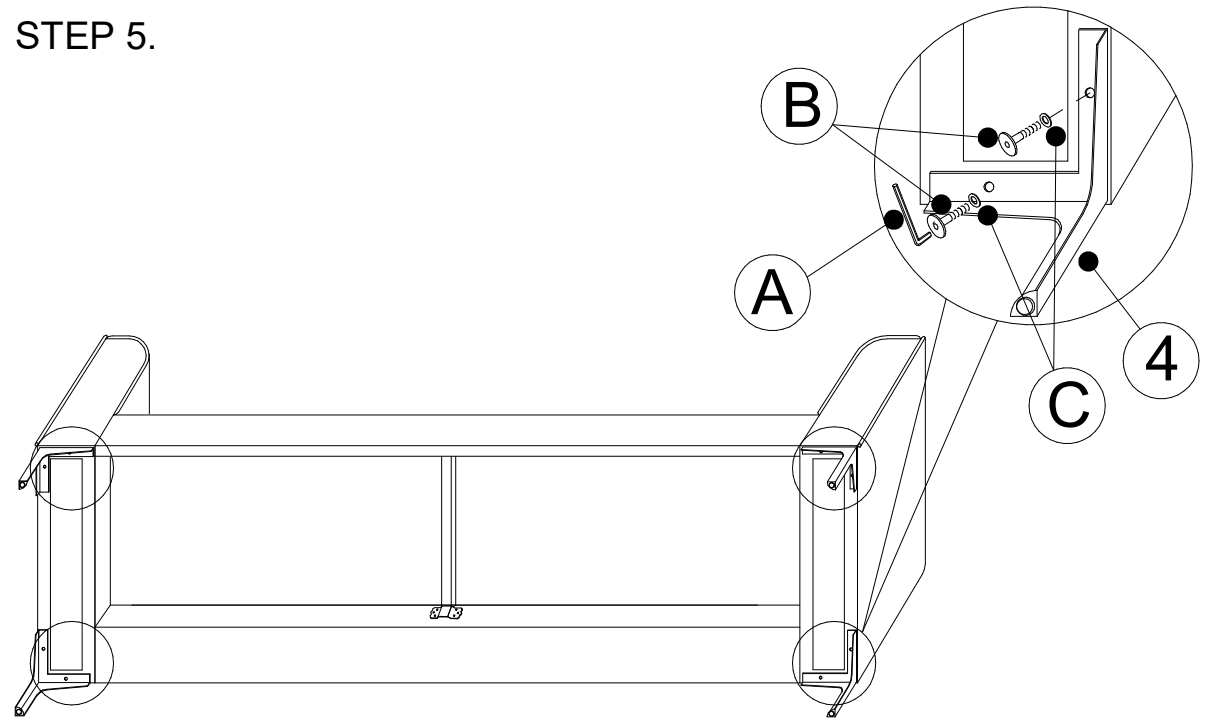
ASSEMBLY INSTRUCTION

STEP 4.



Lay the SEAT PANEL (7) on top of units frame.

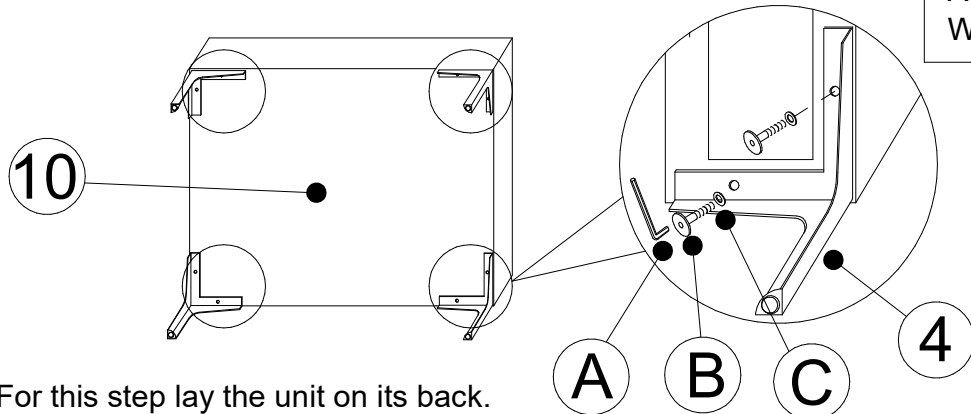
STEP 5.



For this step lay the unit on its back.

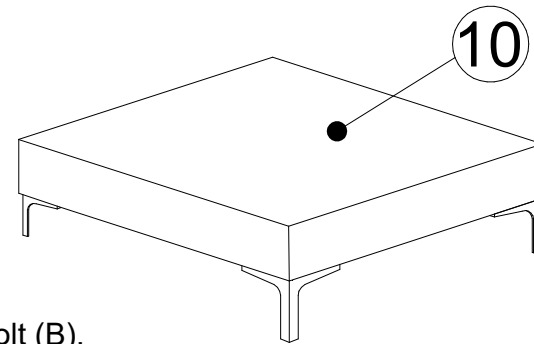
Attach LEGS (4) to the four corners of the unit. Legs are to be attached using Bolt (B), Washer (C) using Allen Key (A). Make sure the bolts are fully tightened and secure.

STEP 6.



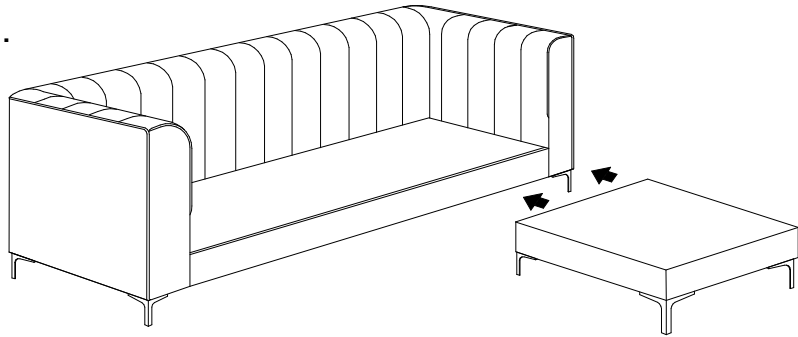
For this step lay the unit on its back.

Attach LEGS (4) to the four corners of the Chaise Base (10). Legs are to be attached using Bolt (B), Washer (C) using Allen Key (A). Make sure the bolts are fully tightened and secure.

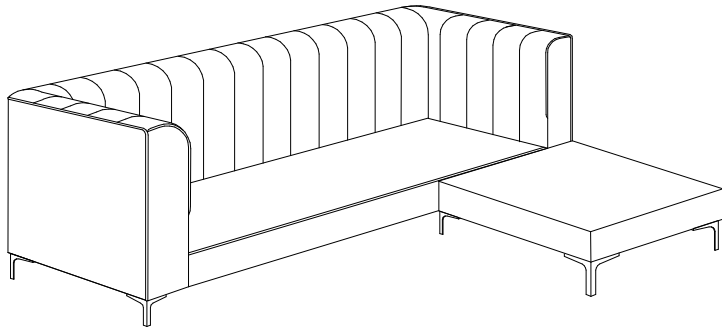


ASSEMBLY INSTRUCTION

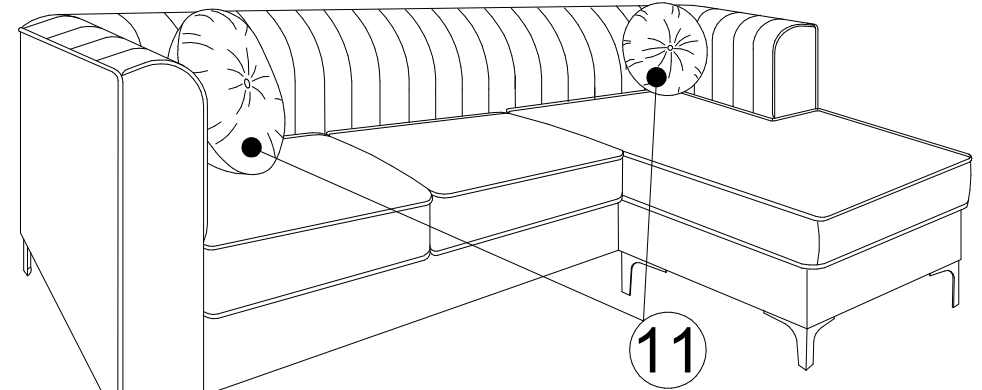
STEP 7.



Combine the Chaise Base (10) with the sofa.

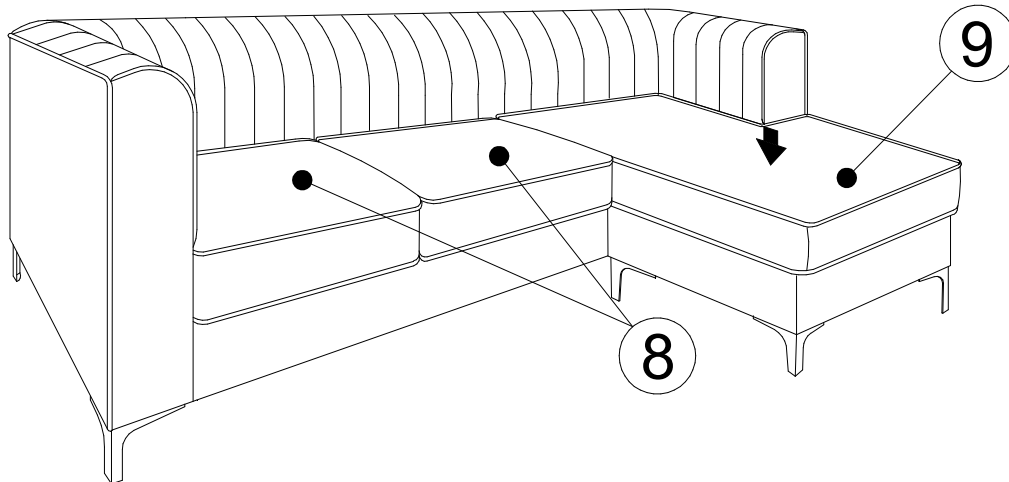


STEP 9.



Lay Pillows (11) (2pcs).

STEP 8.



Attach the Seat Cushion (8) (2pcs) and Chaise Cushion (9).

Chaise is reversible.