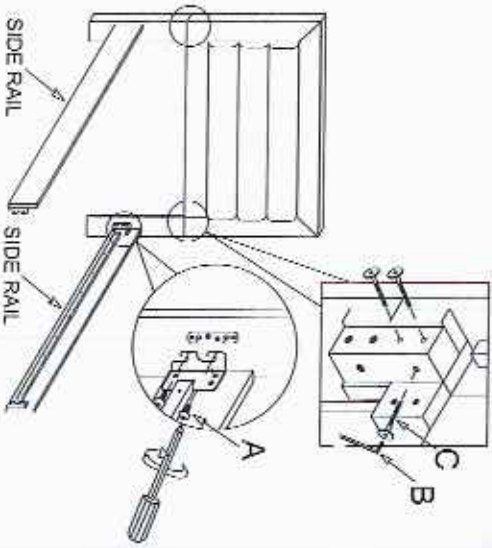


ASSEMBLY INSTRUCTION

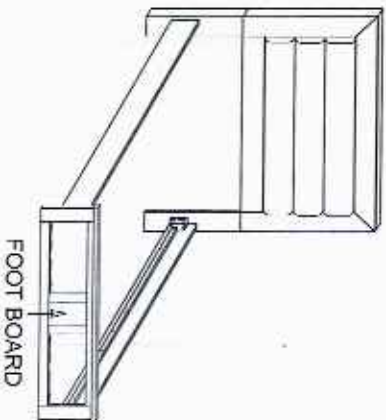
TWIN BED

Before you begin, please read Assembly Instruction carefully and recognized the part and hardware. Then follow them step by step.

STEP 1.



STEP 2.

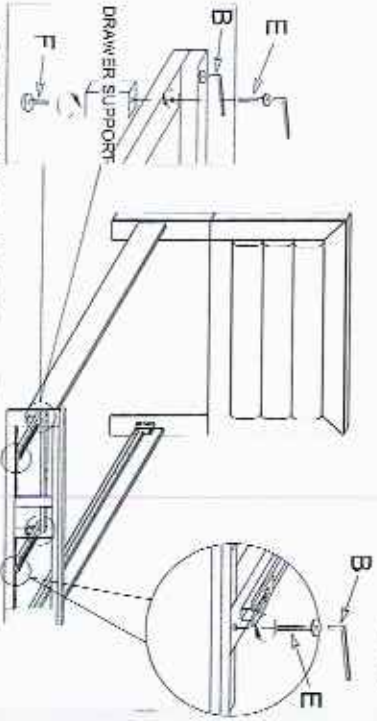


TIPS: REPEAT STEP 1 TO JOINT FOOT BOARD.

STEP 3.

TIPS :

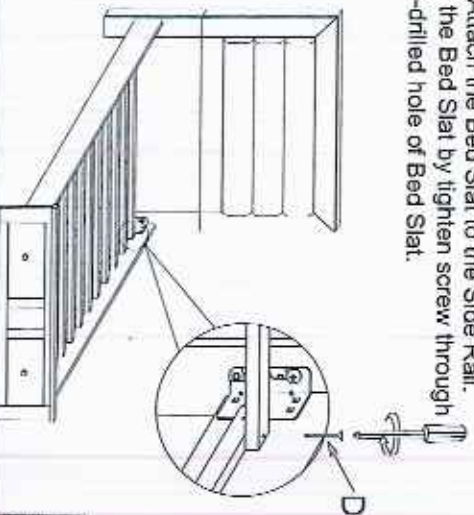
Attach the drawer support and slat support to footboard and fasten with JOBC Bolt M6 x 35mm.



* TOTAL SLAT : 14PCS + 1PC LONG + 3PCS (SLATS SUPPORT)

STEP 4.

TIPS : Attach the Bed Slat to the Side Rail. Fasten the Bed Slat by tighten screw through the pre-drilled hole of Bed Slat.



HARDWARE PART 1

NO	HARDWARE DESCRIPTION	QTY
A.	Screw M8	8PCS
B.	Allen Key	1PC
C.	JOBC Bolt M6 X 60mm	6PCS
SCREW DRIVER NOT PROVIDE !!!		

HARDWARE PART 2

NO	HARDWARE DESCRIPTION	QTY
D.	Screw M4 x 32mm	28PCS
E.	Bolt M6 x 35mm	11PCS
F.	Adjuster M6 x 24mm Screw Driver Not Provide !!!	3PCS

a. TIPS : Rotate the slat support and tighten using with Allen Key.

