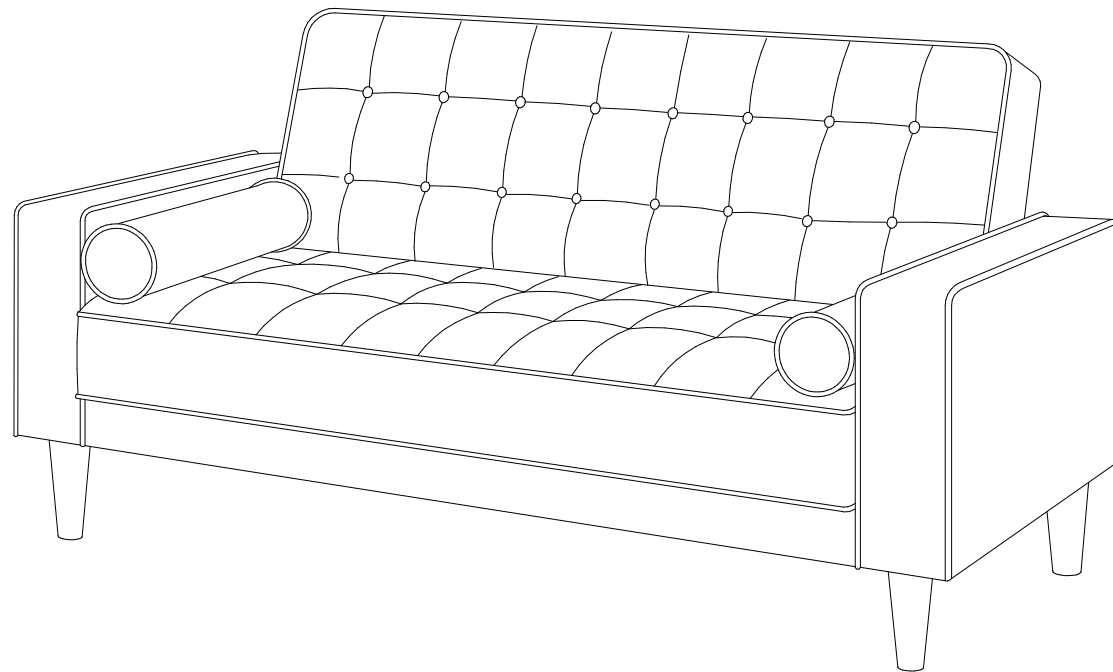


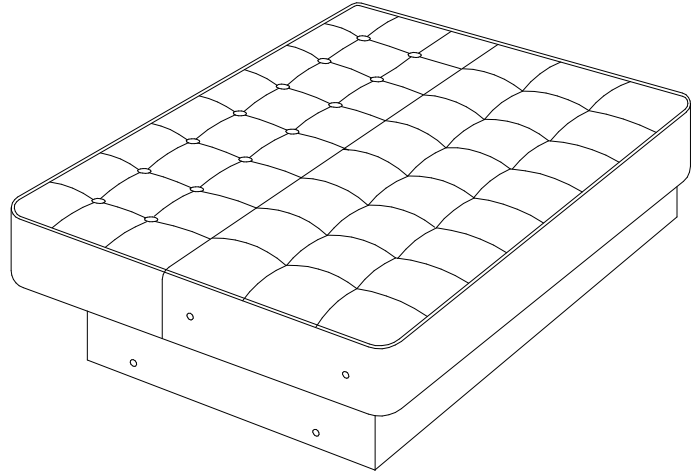
Attention:
Two people are required for assembly and lifting unit.

ASSEMBLY INSTRUCTION



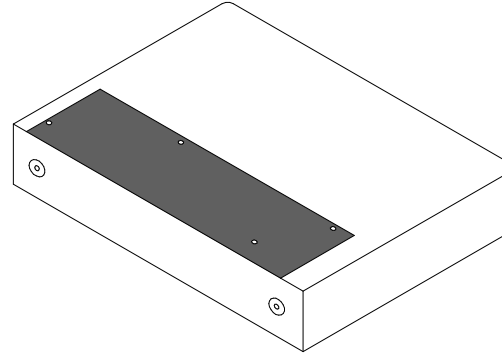
ASSEMBLY PART & HARDWARE LIST

1.



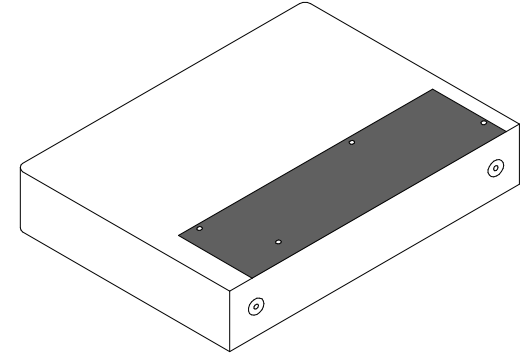
SEAT PANEL & SEAT CUSHION (1PC)

2.



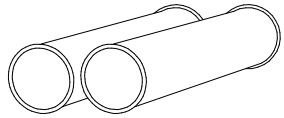
LEFT ARM (L) (1PC)

3.



RIGHT ARM (R) (1PC)

4.

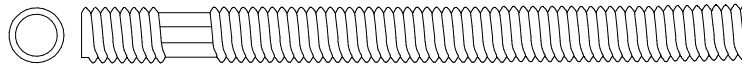


PILLOW (2PCS)

5.



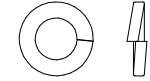
LEG (4PCS)



A

8PCS

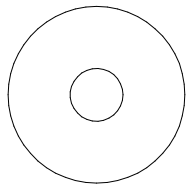
5/16 x 80mm



B

8PCS

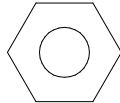
Spring Washer 5/16



C

8PCS

Flat Washer 5/ 16 x 22mm

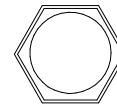


D



8PCS

5/16 x 12mm

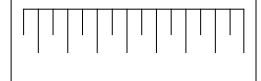


E

1PC

T Spanner

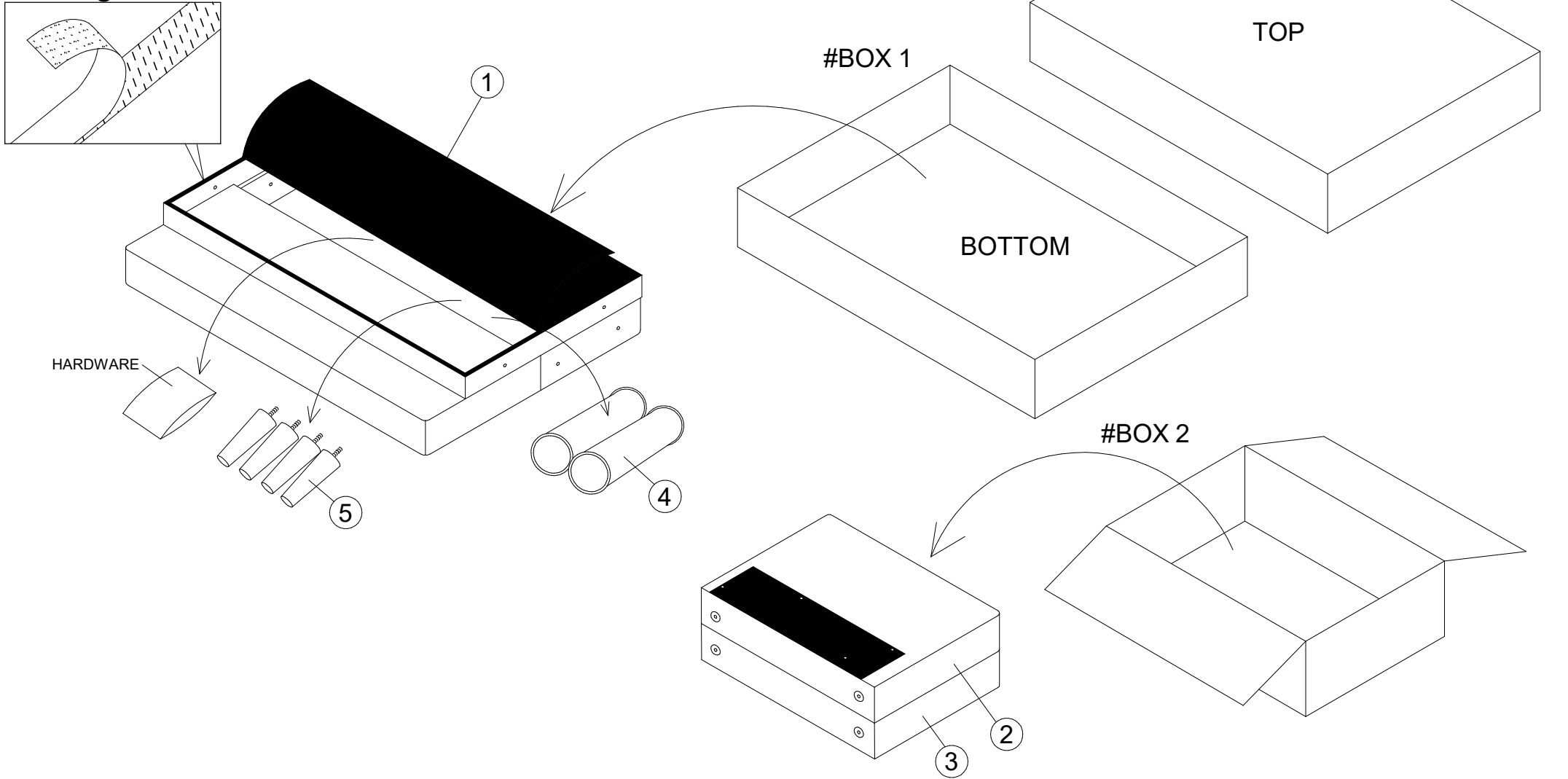
1 : 1



ASSEMBLY INSTRUCTION

STEP 1.

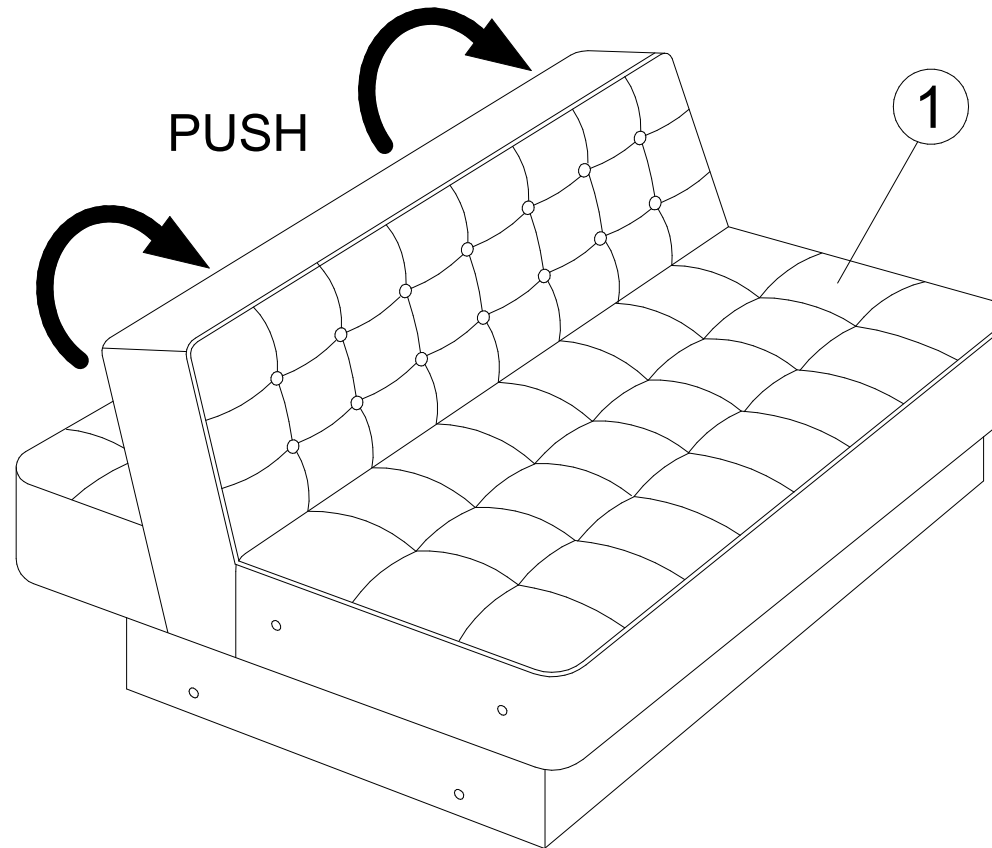
For this step lay the unit on its back. Open the cover cloth remove the legs and hardware.



ASSEMBLY INSTRUCTION

STEP 2.

Push back upward.

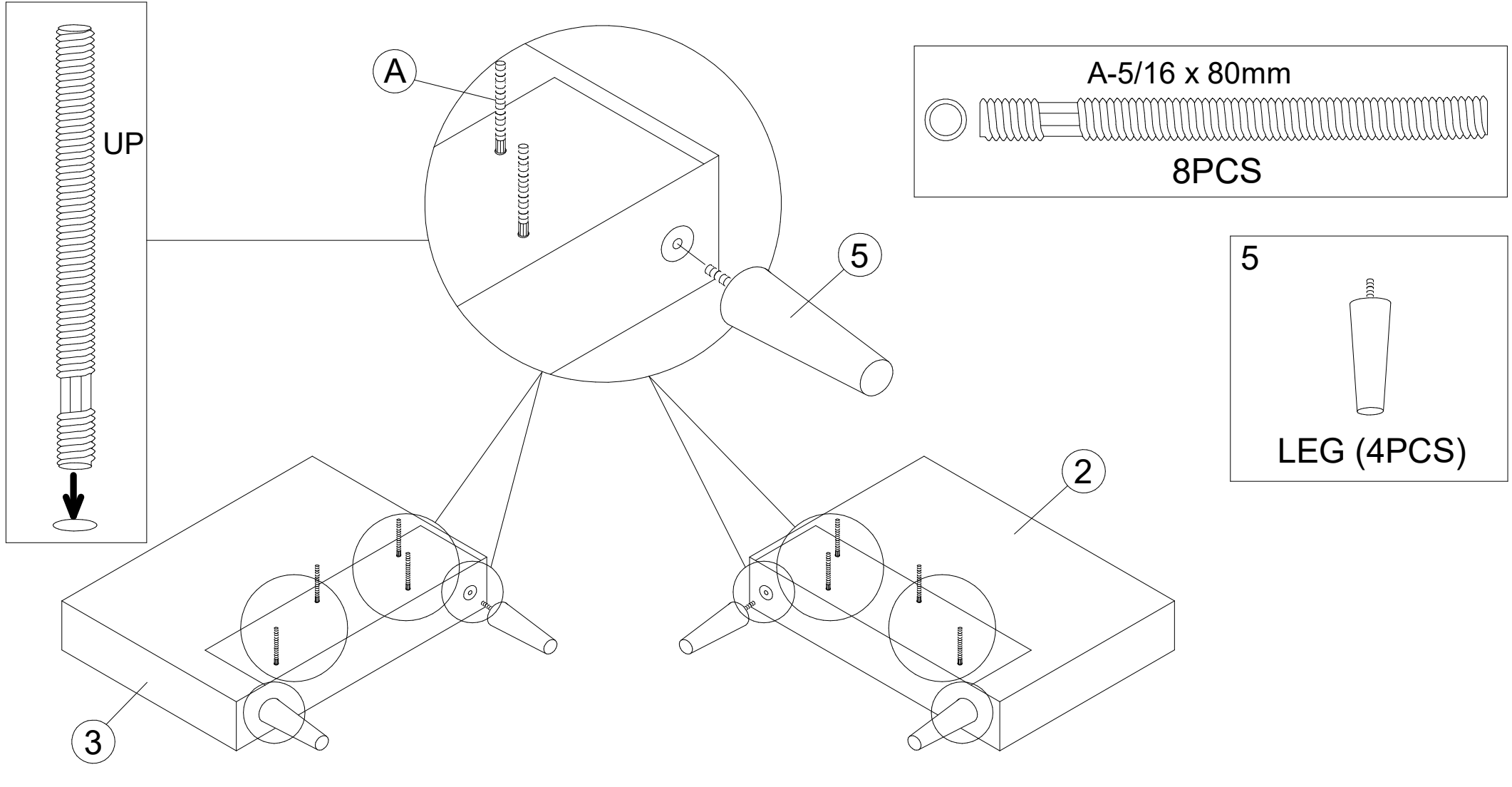


ASSEMBLY INSTRUCTION

STEP 3.

Attach 5/16 x 80mm (A) (8pcs) to the Left Arm (L) (2) and Right Arm (R) (3).

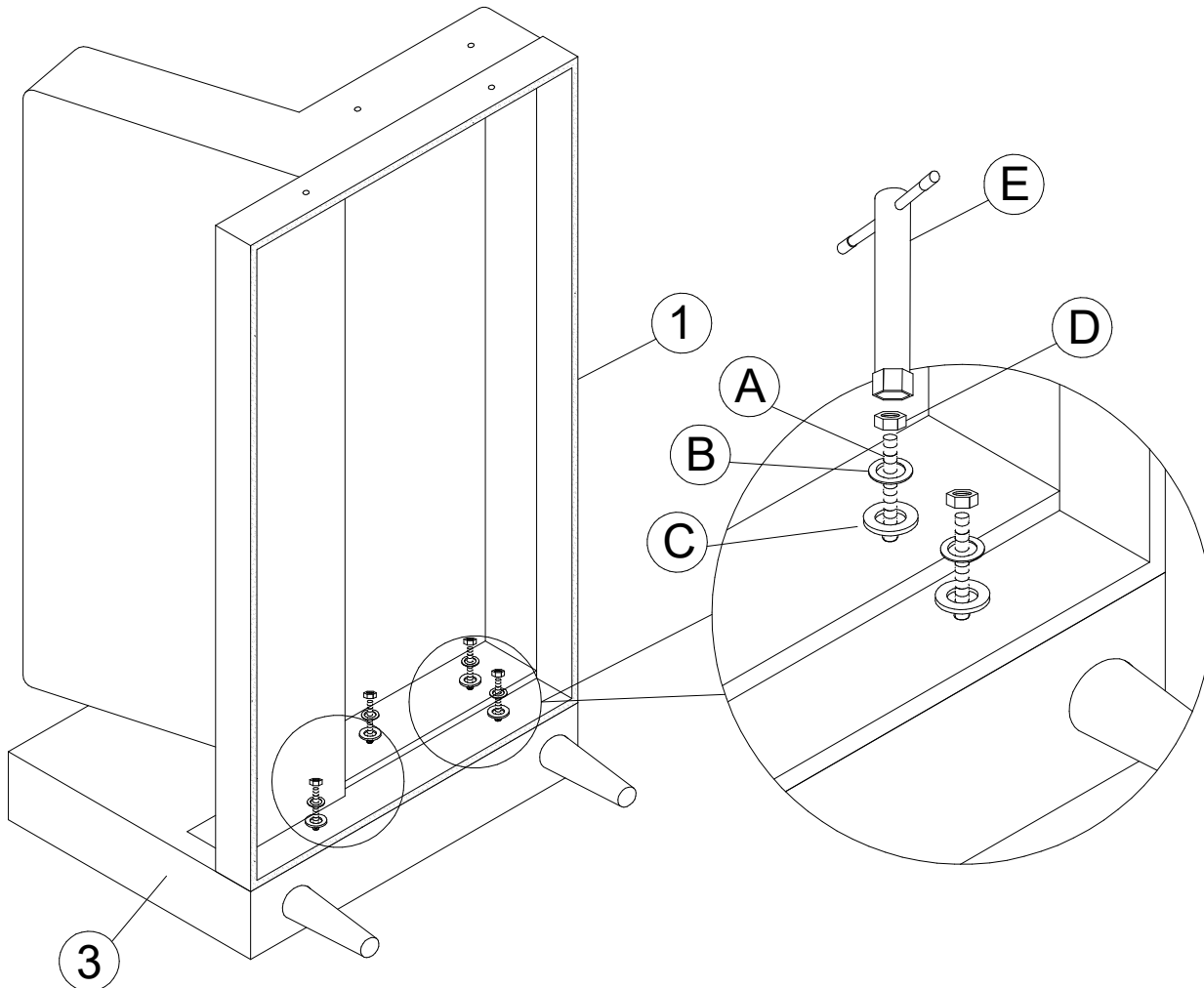
Attach Legs (5) (4pcs) to the Left Arm (L) (2) and Right Arm (R) (3). Legs should be tightened.



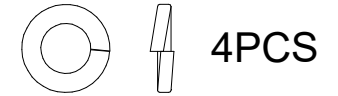
ASSEMBLY INSTRUCTION

STEP 4.

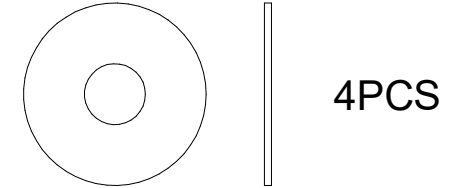
Attach the Left Arm (R) (3) to Seat Panel and Seat Cushion (1). Use Spring Washer 5/16 (B) (4pcs), Flat Washer 5/ 16 x 22mm (C) (4pcs), 5/16 x 12mm (D) (4pcs) and T Spanner (E) to fix.



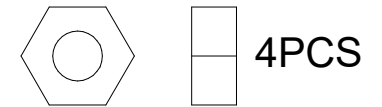
B-Spring Washer 5/16



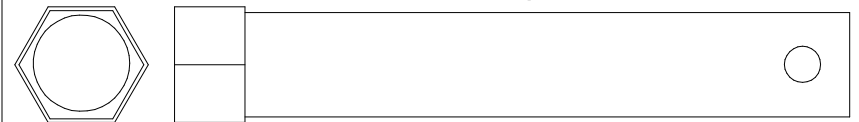
C-Flat Washer 5/ 16 x 22mm



D-5/16 x 12mm



E-T Spanner



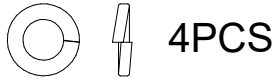
1PC

ASSEMBLY INSTRUCTION

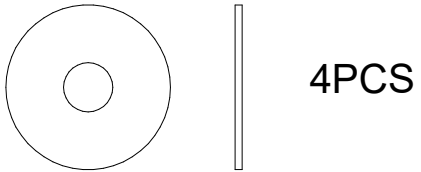
STEP 5.

Attach the Left Arm (L) (2) to Seat Panel and Seat Cushion (1). Use Spring Washer 5/16 (B) (4pcs), Flat Washer 5/ 16 x 22mm (C) (4pcs), 5/16 x 12mm (D) (4pcs) and T Spanner (E) to fix.

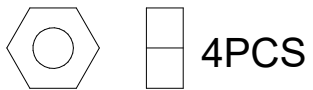
B-Spring Washer 5/16



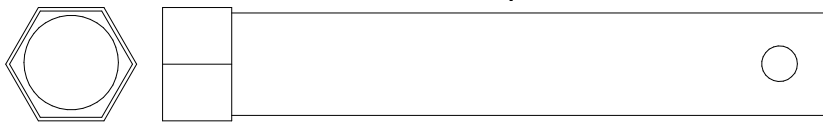
C-Flat Washer 5/ 16 x 22mm



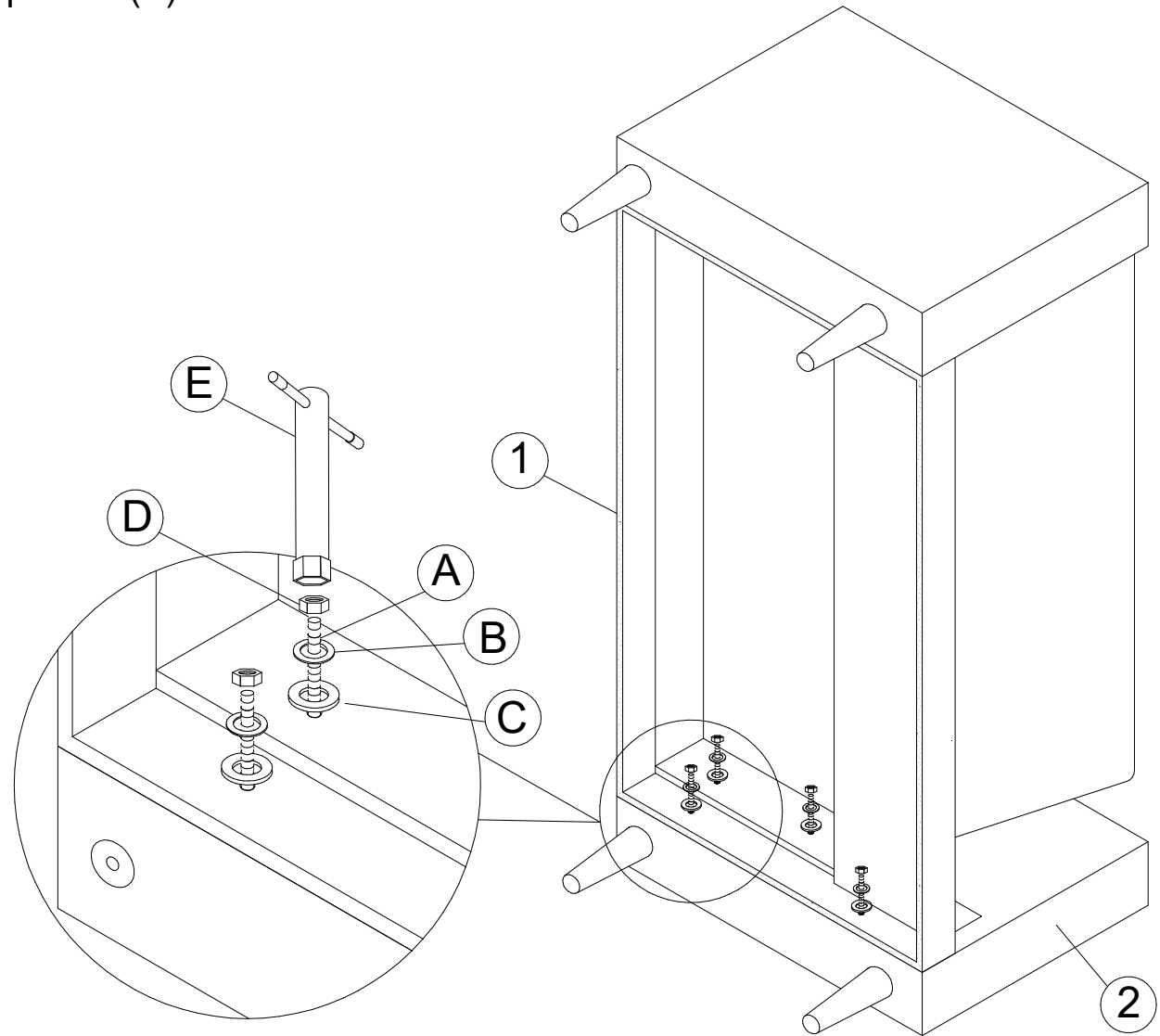
D-5/16 x 12mm



E-T Spanner

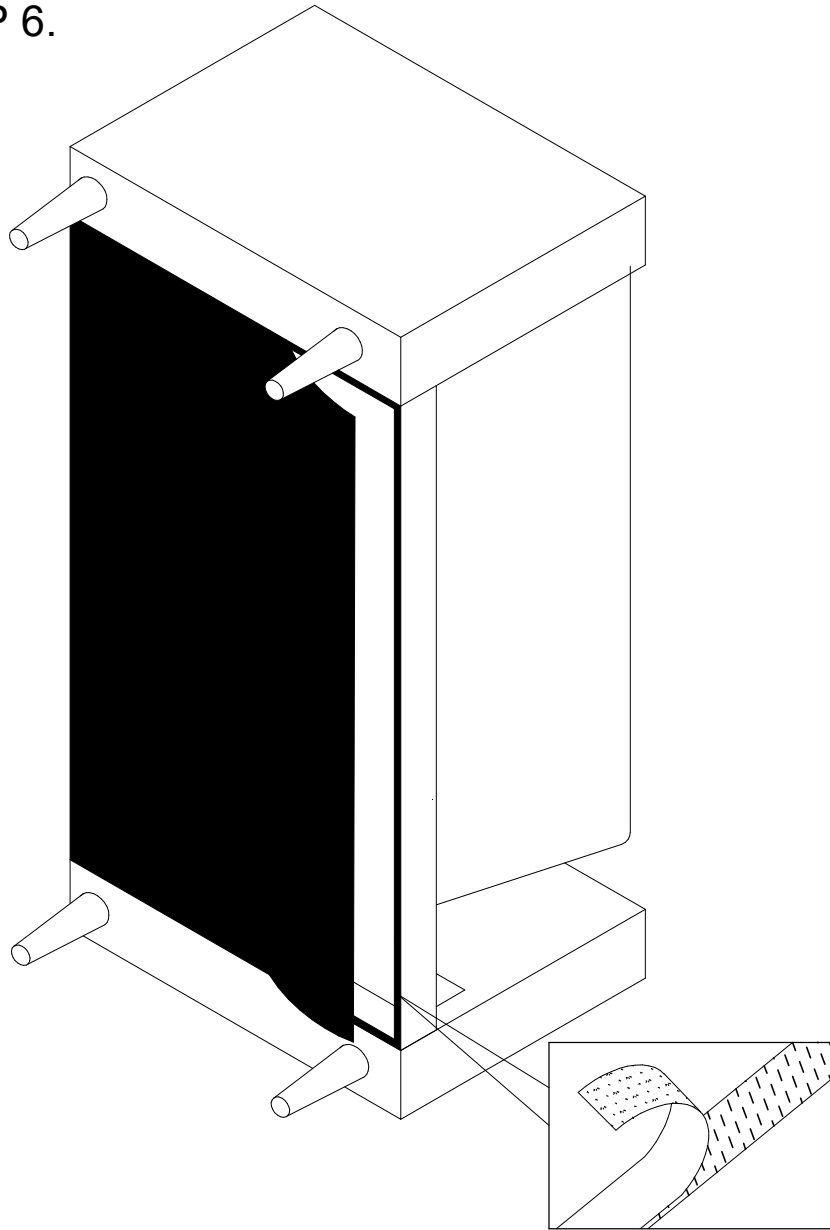


1PC



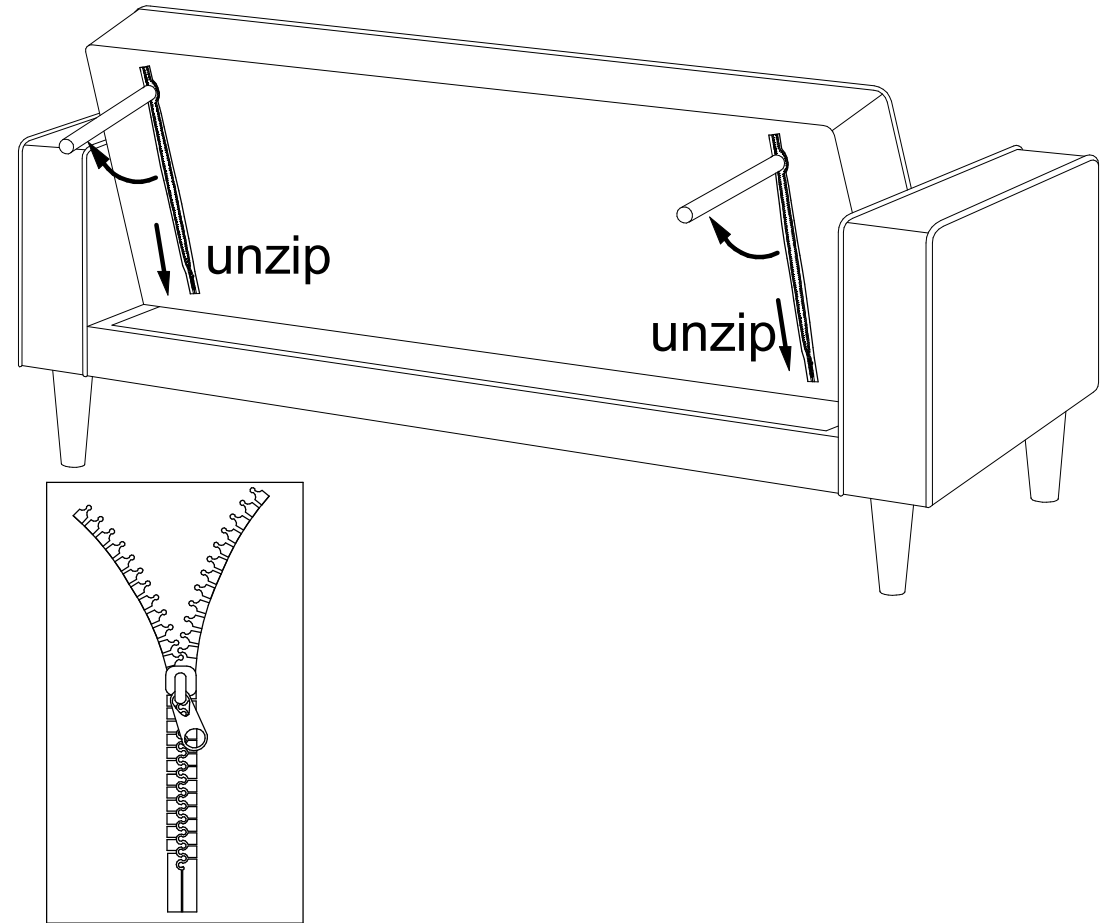
ASSEMBLY INSTRUCTION

STEP 6.



Take a Cover Cloth and closed with velcro.

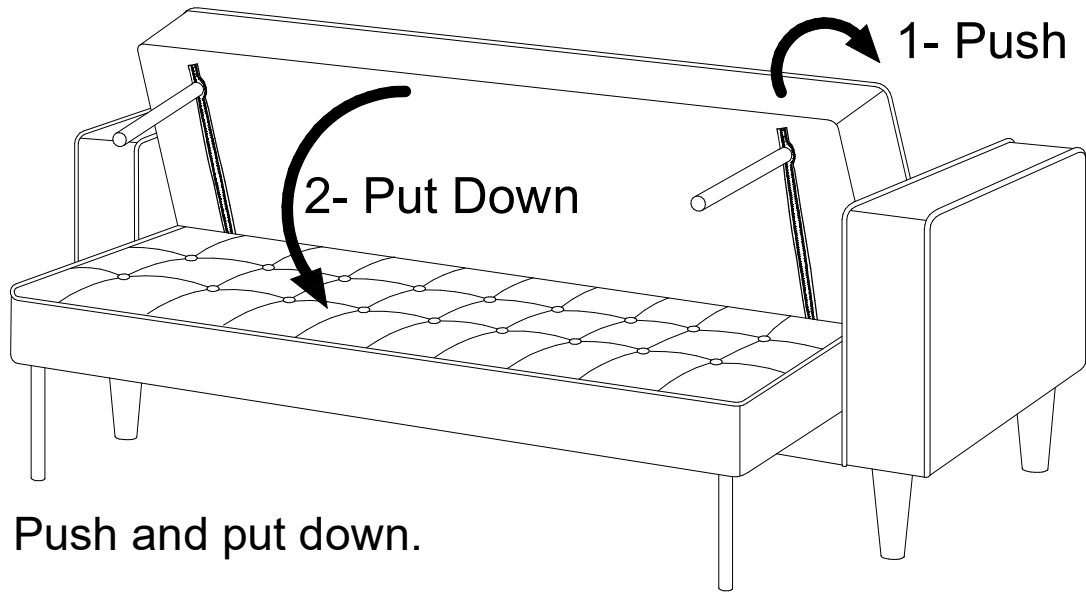
STEP 7.



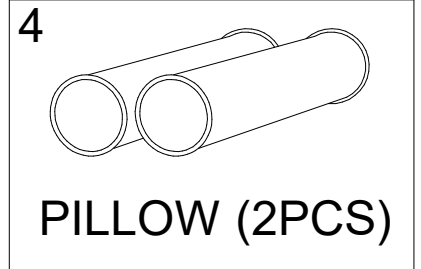
Open the zip and pull the legs out. Re-zip when leg pulled out.

ASSEMBLY INSTRUCTION

STEP 8.



STEP 9.



Lay Pillows (4) (2pcs).

