




ASSEMBLY INSTRUCTIONS

MODEL : 9023A
DINING CHAIR







(BOX 1)

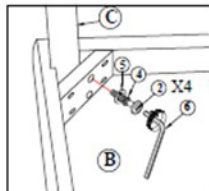
BOX OF CHAIR X 2

NO	ITEM	QTY
A	Back Rest 	1 PC
B	Seat 	1 PC
C	Front Leg 	2 PCS

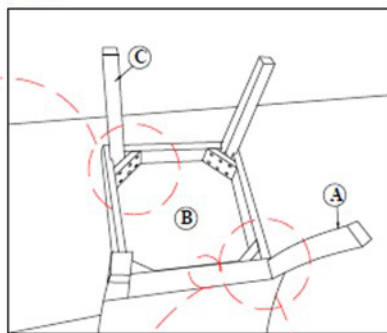
(BOX 1)

HARDWARE LIST X 2

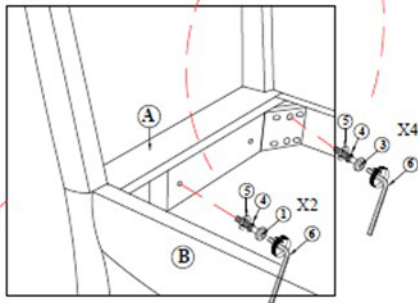
No	ITEM	Qty
1	ACSC Bolt self-Drain Bit 	2 pcs
2	ACSC Bolt self-Drain Bit 	4 pcs
3	ACSC Bolt self-Drain Bit 	4 pcs
4	Spring Washer 5/16" Bit 	10 pcs
5	Flat Washer 5/16" Dia x 25mm OD Bit 	10 pcs
6	ALL-IN-KEY self-Drain Bit 	1 pc



STEP 2



STEP 1



NOTE : MUST TIGHTEN SCREWS PERIODICALLY OR SCREWS WILL BECOME LOOSE CHECK TIGHTNESS OF ALL SCREWS EVERY 6-8 WEEKS.

PAGE 1 OF 1