

ASSEMBLY INSTRUCTIONS

DESCRIPTION : TIFFANY-SILVER-KB-HB /
TIFFANY-SILVER-KB-STORAGE FB/2 LAMPS/SLATS /
TIFFANY-SILVER-QB/KB-SR

MODEL : FBKHBR-198A + FBKFBR-198A
+ FBKSRR-198A

NOTE :

MUST TIGHTEN SCREWS PERIODICALLY WITH USE SCREW WILL
BECOME LOOSE. CHECK TIGHTNESS OF ALL SCREW EVERY 6-8 WEEKS.

REVISION : A

Component List

Headboard

| No | Descriptions | Qty |
|----|---------------|-----|
| A | Headboard Set | 1 |

Component List

Side Rail



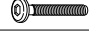

| No | Descriptions | Qty |
|----|--------------|-----|
| B | Side Rail | 2 |

Component List


Footboard

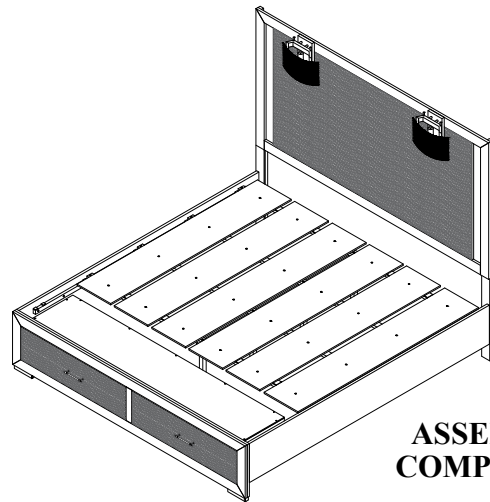
| No | Descriptions | Qty |
|----|--------------------------|-----|
| C | Footboard Drawer | 1 |
| D | Bed Slat (With Stopper) | 2 |
| E | Bed Slat | 2 |
| F | Bed Slat Support | 4 |
| G | Center Slat With 4 Holes | 1 |
| H | Support Rail | 1 |
| I | Slat Cover Panel | 1 |
| J | Slat Panel | 6 |
| K | Lamp Set | 2 |

Hardware List In Footboard

| No | Descriptions | Qty |
|----|--|-----|
| 1 | CSK M4 x 16mm  | 38 |
| 2 | CSK M4 x 32mm  | 10 |
| 3 | JCBC Screw M6 x 50mm  | 4 |
| 4 | L Key M5  | 1 |

Hardware List In Headboard

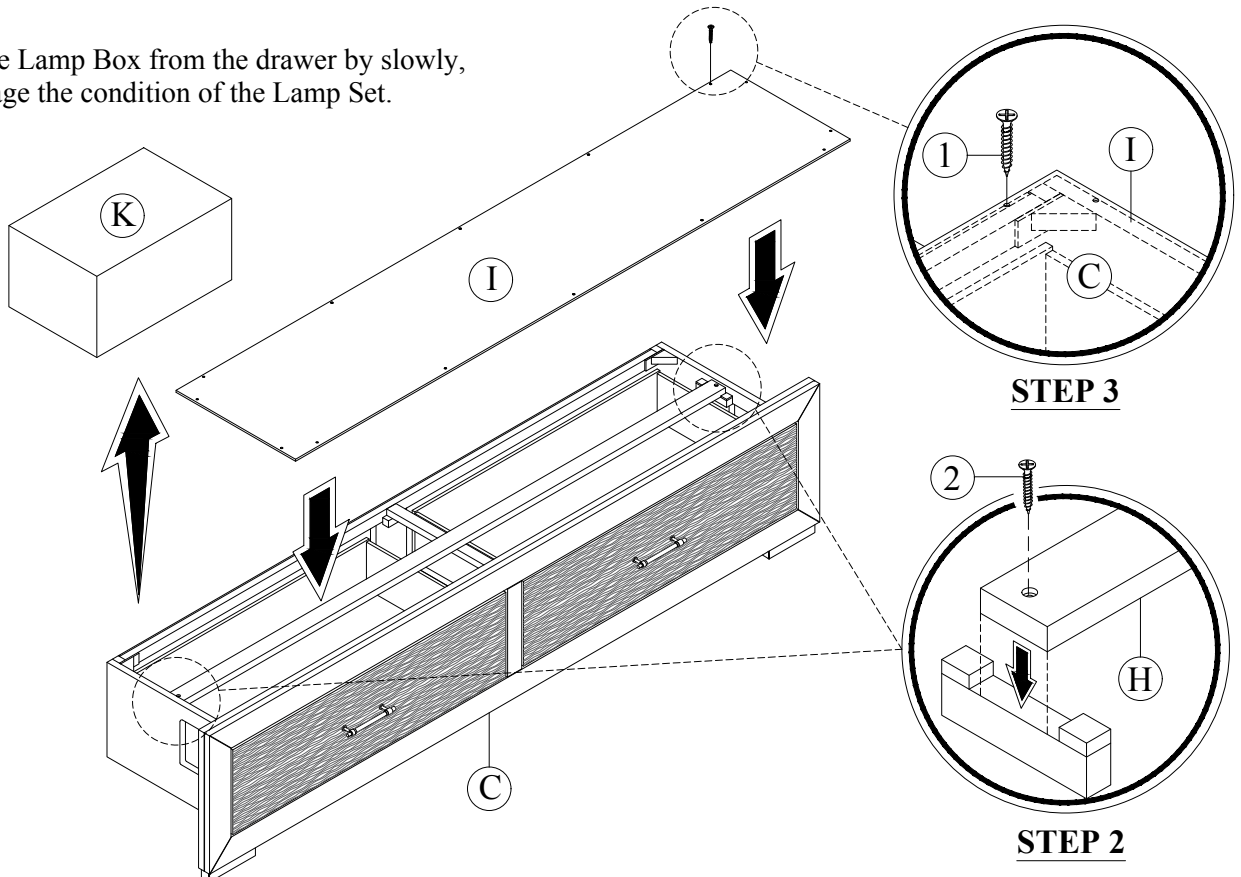
| No | Descriptions | Qty |
|----|--|-----|
| 5 | L Key M4  | 1 |



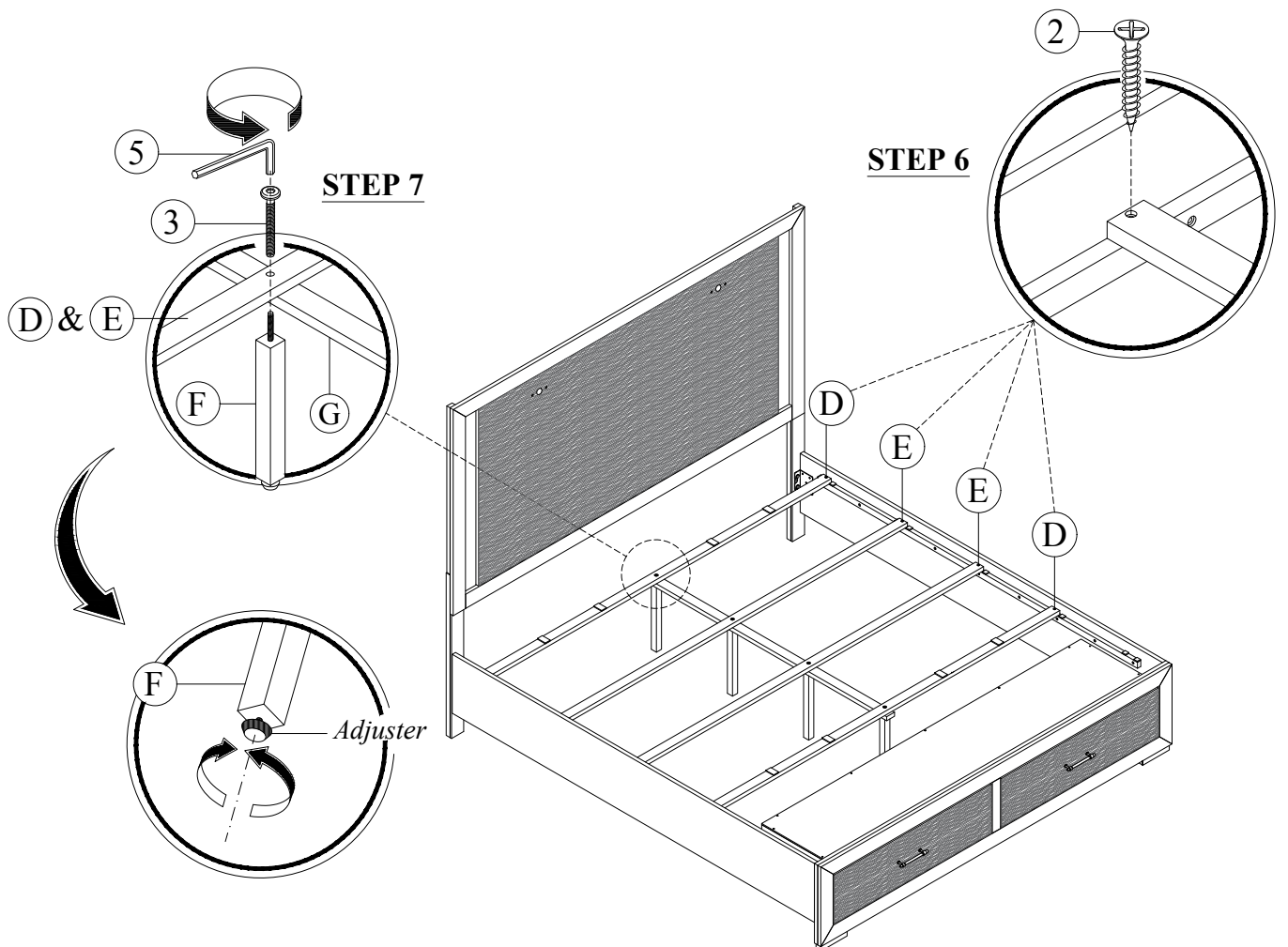
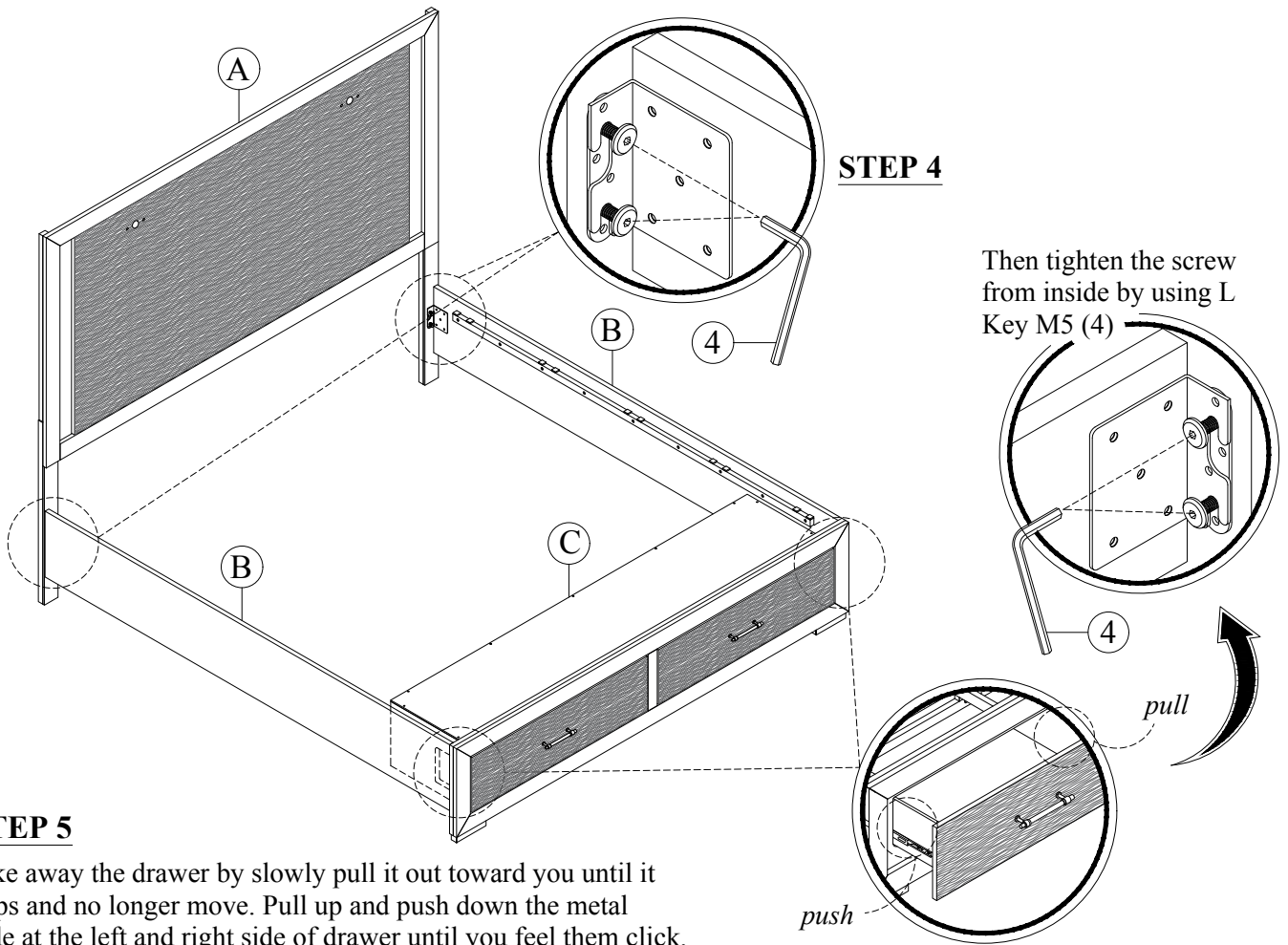
**ASSEMBLY
COMPLETED**

STEP 1

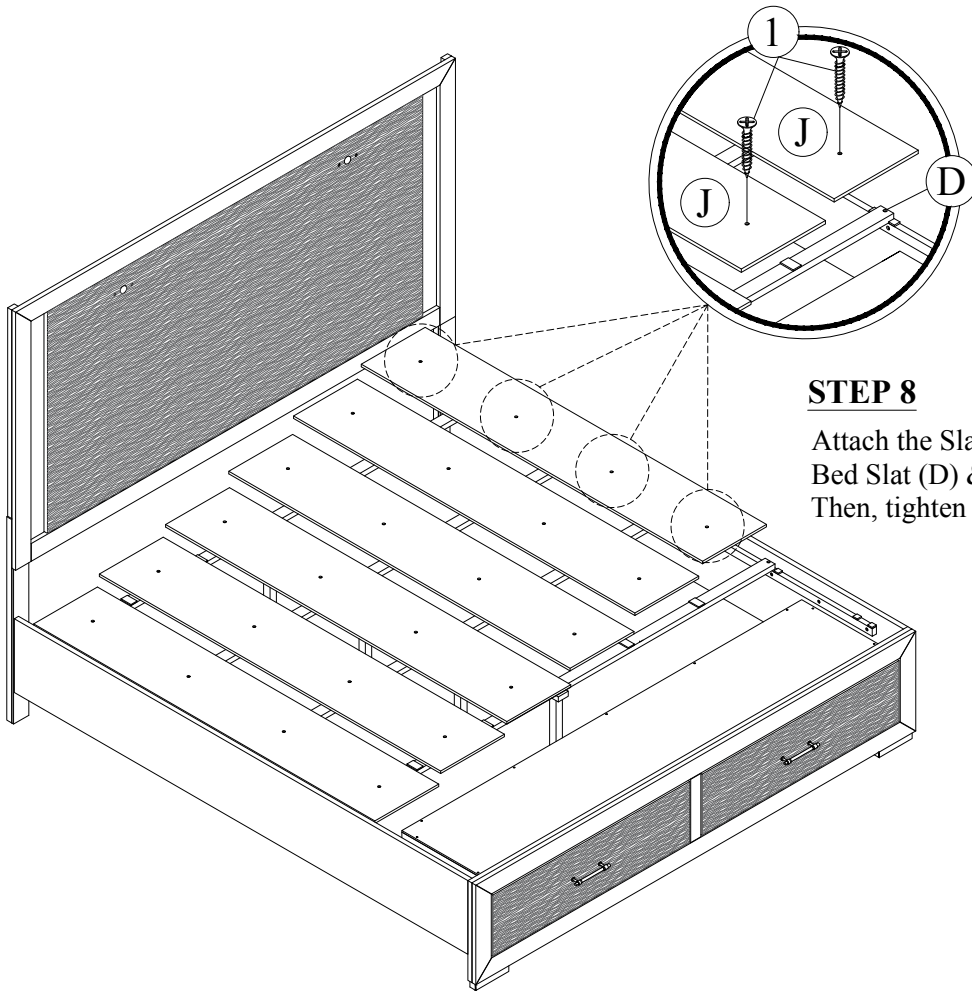
Take out the Lamp Box from the drawer by slowly,
to not damage the condition of the Lamp Set.



ASSEMBLY INSTRUCTIONS

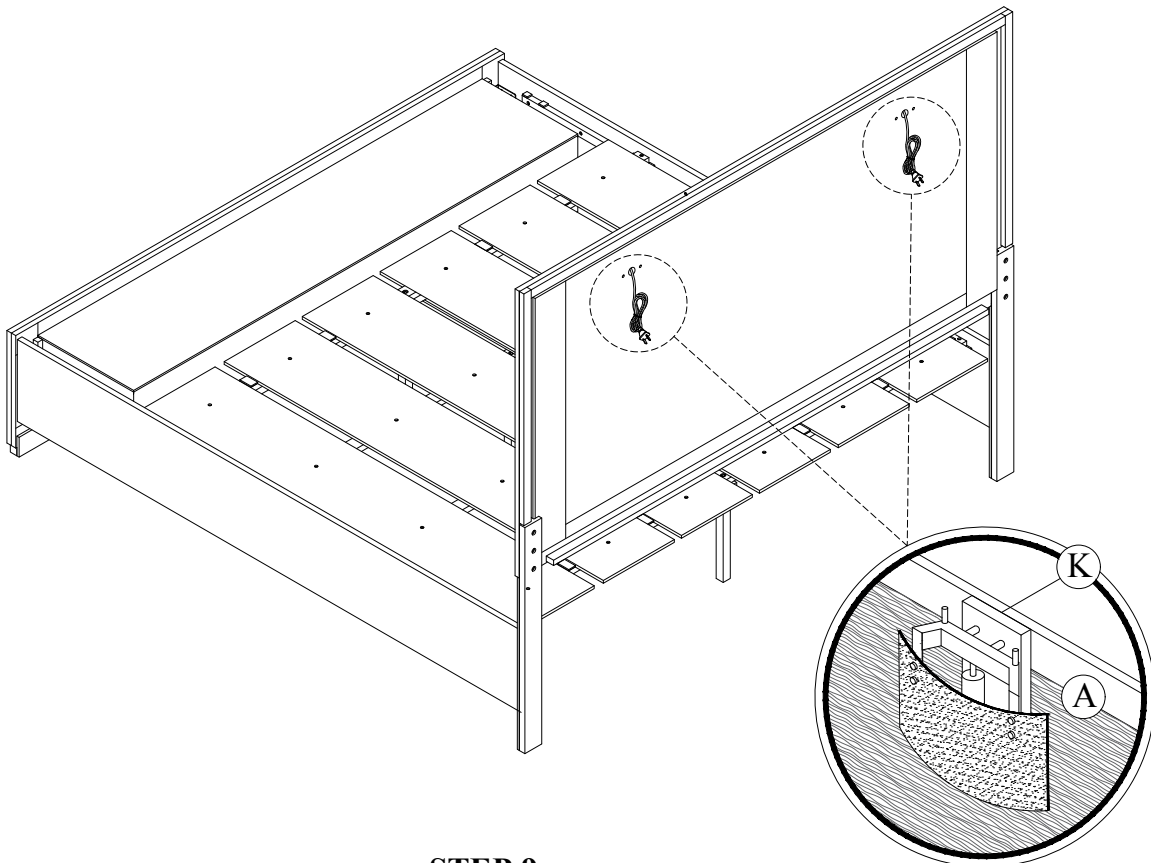


ASSEMBLY INSTRUCTIONS



STEP 8

Attach the Slat Panel (J) to top Bed Slat (D) & (E).
Then, tighten using CSK M4 x 16mm (1).



STEP 9

Install the Lamp Set according to the assembly instruction inside the Lamp Box.
Then, align and attach the Lamp at the top of Headboard (A).