

ASSEMBLY INSTRUCTIONS

DESCRIPTION : TIFFANY-SILVER-FB-HB /
TIFFANY-SILVER-FB-STORAGE FB/2 LAMPS/SLATS /
TIFFANY-SILVER-FB-SR

MODEL : FBFHBR-198A + FBFFBR-198A
+ FBFSRR-198A

NOTE :


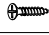
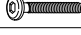

MUST TIGHTEN SCREWS PERIODICALLY WITH USE SCREW WILL
BECOME LOOSE. CHECK TIGHTNESS OF ALL SCREW EVERY 6-8 WEEKS.

REVISION : A

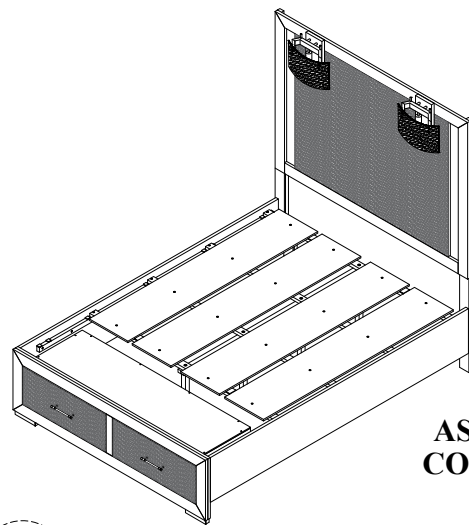
Component List		
Headboard		
No	Descriptions	Qty
A	Headboard Set	1

Component List		
Side Rail		
No	Descriptions	Qty
B	Side Rail	2

Component List		
Footboard Drawer		
No	Descriptions	Qty
C	Footboard Drawer	1
D	Bed Slat (With Stopper)	2
E	Bed Slat	2
F	Bed Slat Support	4
G	Center Slat With 4 Holes	1
H	Support Rail	1
I	Slat Cover Panel	1
J	Slat Panel	4
K	Lamp Set	2

Hardware List In Footboard			
No	Descriptions		Qty
1	CSK M4 x 16mm		28
2	CSK M4 x 32mm		10
3	JCBC Screw M6 x 50mm		4
4	L Key M5		1

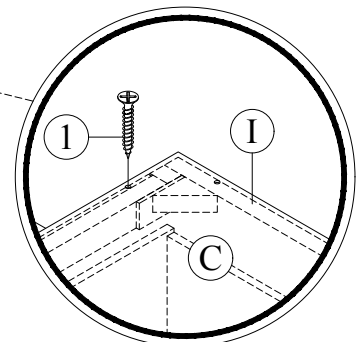
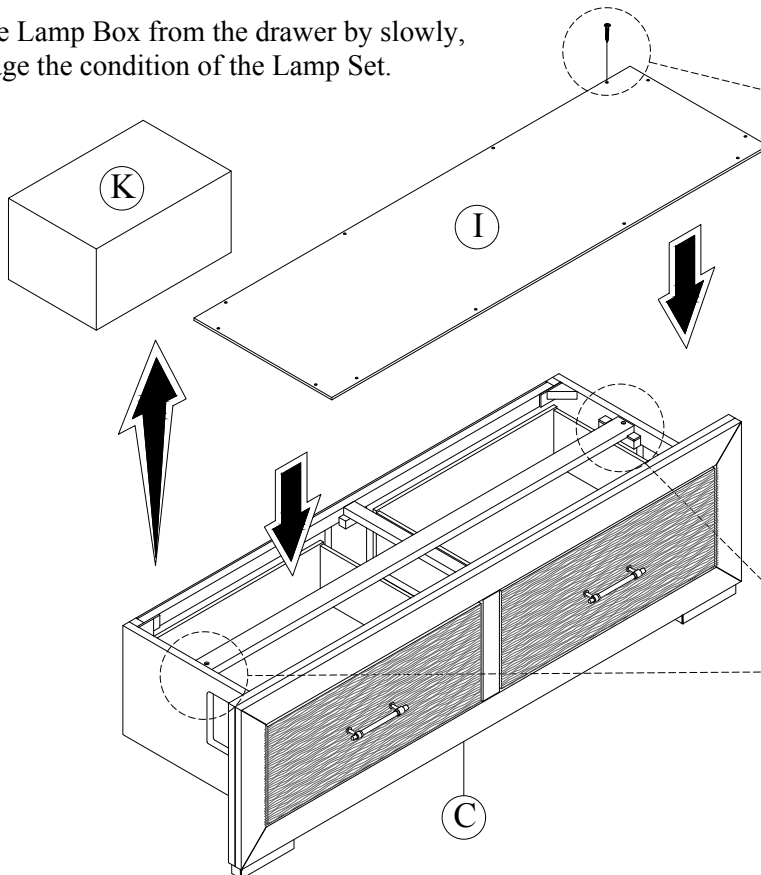
Hardware List In Headboard			
No	Descriptions		Qty
5	L Key M4		1



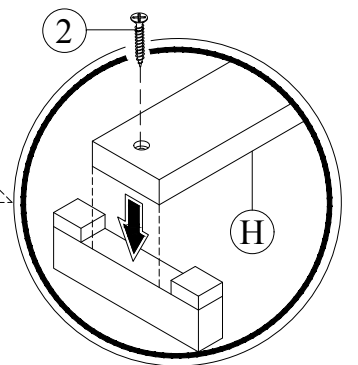
**ASSEMBLY
COMPLETED**

STEP 1

Take out the Lamp Box from the drawer by slowly,
to not damage the condition of the Lamp Set.

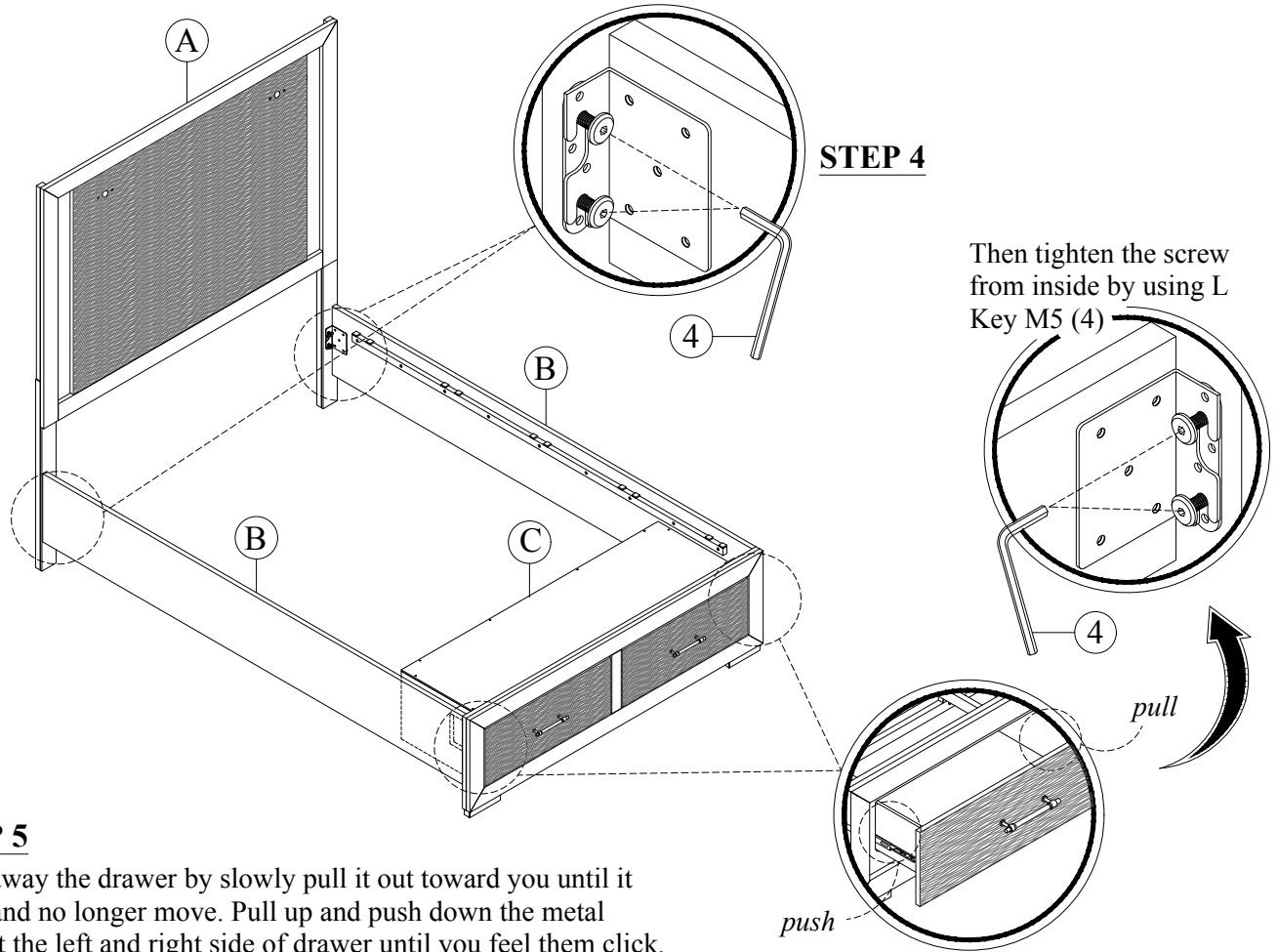


STEP 3



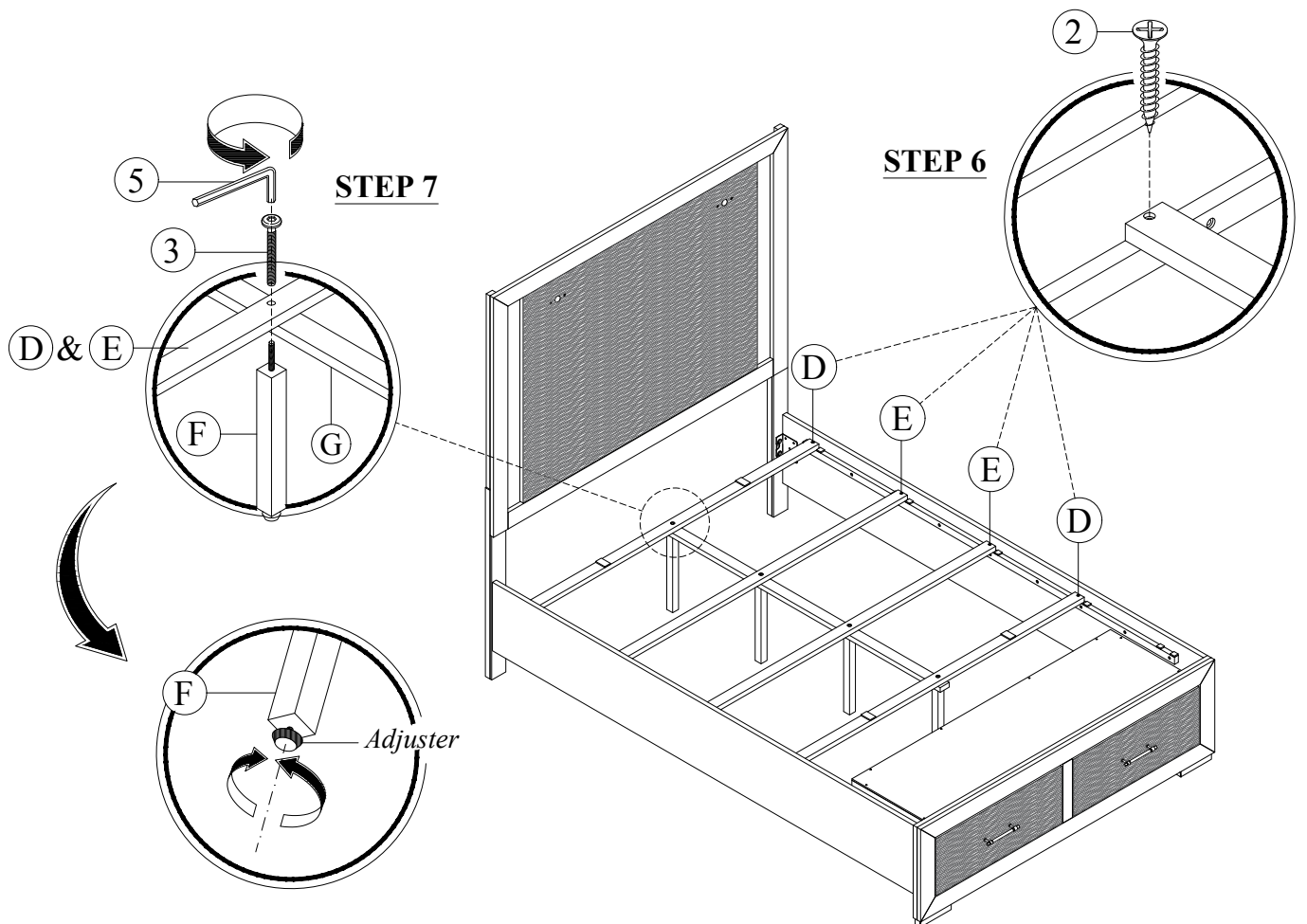
STEP 2

ASSEMBLY INSTRUCTIONS

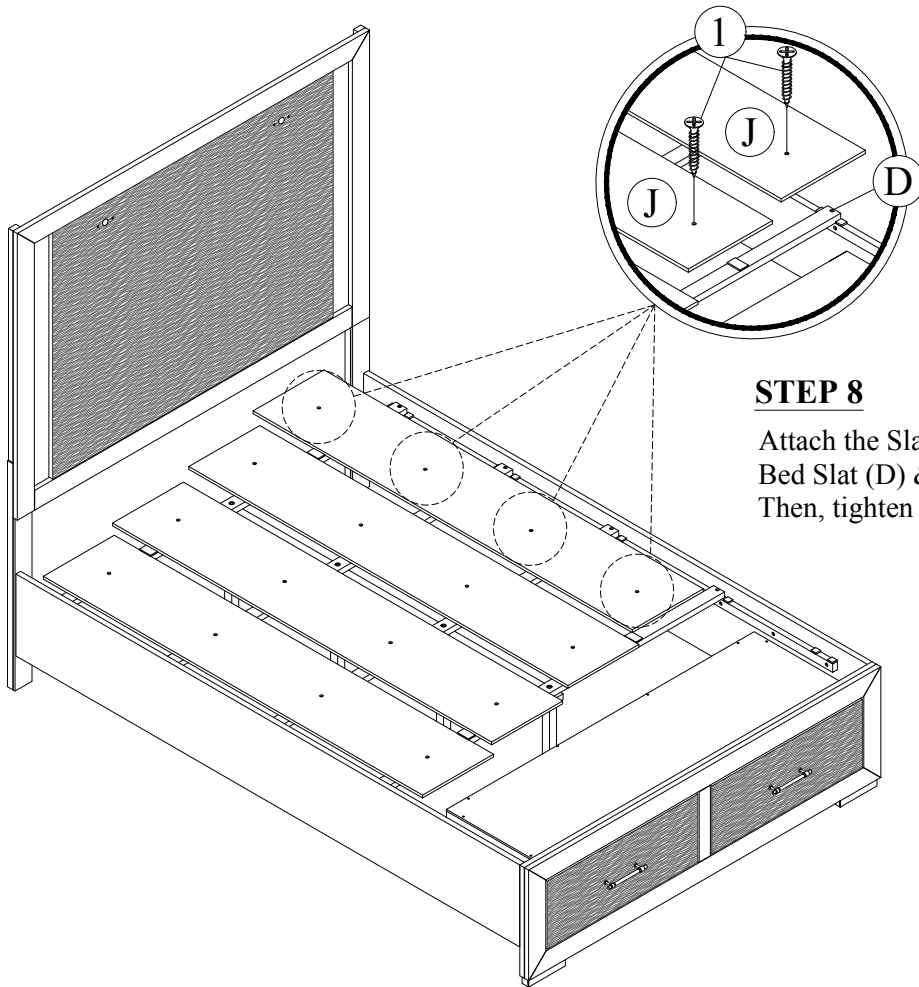


STEP 5

Take away the drawer by slowly pull it out toward you until it stops and no longer move. Pull up and push down the metal slide at the left and right side of drawer until you feel them click.



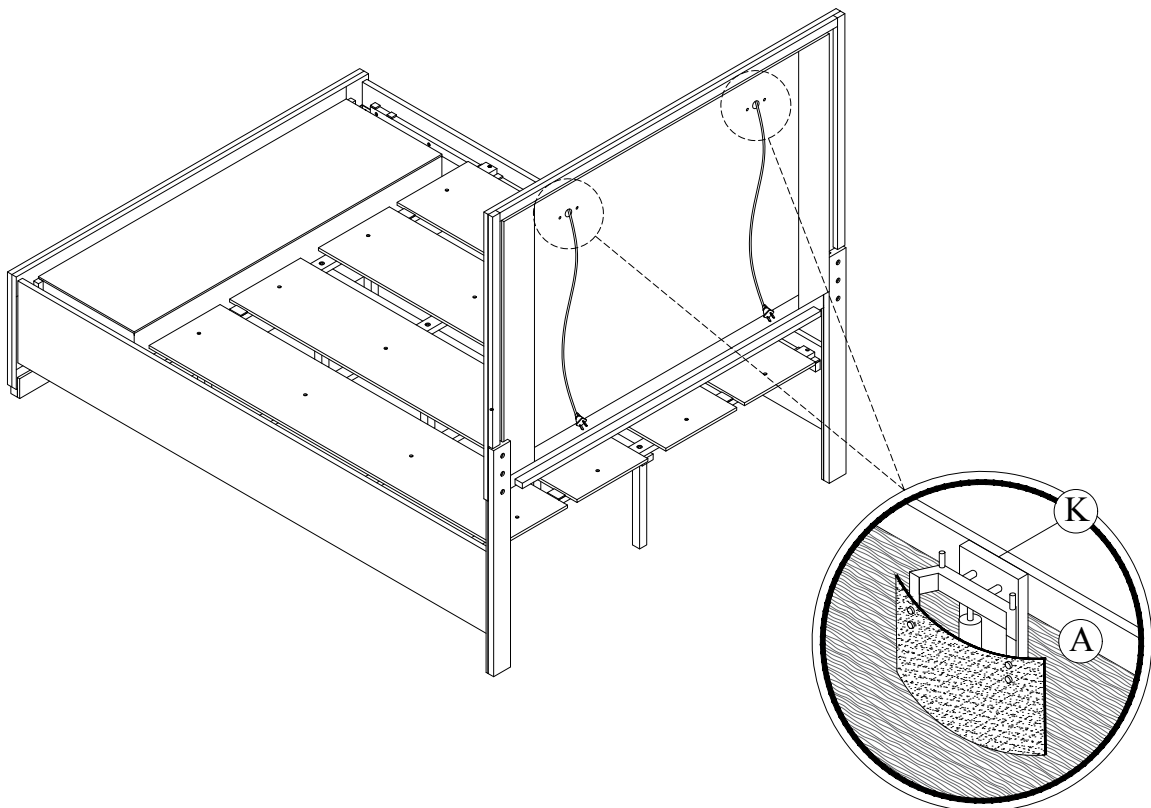
ASSEMBLY INSTRUCTIONS



STEP 8

Attach the Slat Panel (J) to top
Bed Slat (D) & (E).

Then, tighten using CSK M4 x 16mm (1).



STEP 9

Install the Lamp Set according to the assembly instruction inside the Lamp Box.
Then, align and attach the Lamp at the top of Headboard (A).