


ASSEMBLY INSTRUCTIONS

MODEL : 0211A
DRESSER



(BOX 1)

BOX OF DRESSER

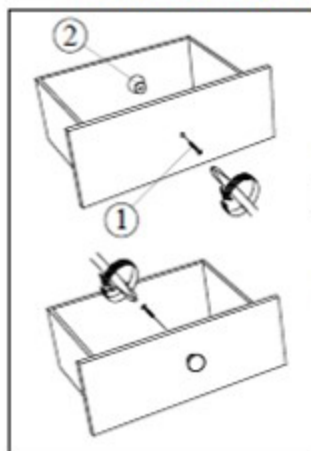
| NO | ITEM | QTY |
|----|--|------|
| | DRESSER | |
| A |  | 1 PC |

(BOX 1)

HARDWARE LIST

| NO | ITEM | QTY |
|----|--|-----------|
| 1 | Three Head Machine Screw self/trim fit  | 15 PCS |
| 2 | HANDLE  | 15 PCS |

STEP 1 : Remove HANDLE (2) using a Philips head screw driver as shown in illustration STEP - A. Re-install the HANDLE (1) & (2) as per diagram STEP - B. Repeat STEP - A STEP - B until HANDLE (2) are attached correctly.



STEP - A

STEP - B



COMPLETED ASSEMBLY

NOTE : MUST TIGHTEN SCREWS PERIODICALLY WITH USE SCREW WILL BECOME LOOSE CHECK TIGHTNESS OF ALL SCREW EVERY 6-8 WEEKS.