


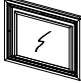

# ASSEMBLY INSTRUCTION

GLOBAL FURNITURE USA






MODEL : 9749 PARIS  
 DESCRIPTION : PARIS-DR-AL / PARIS-MR W/LIGHT

Thank you for purchasing this quality product. Be sure to check all packing material carefully for small parts which may have loose inside the carton during shipment. Identify and count all parts and compare with the parts list below.

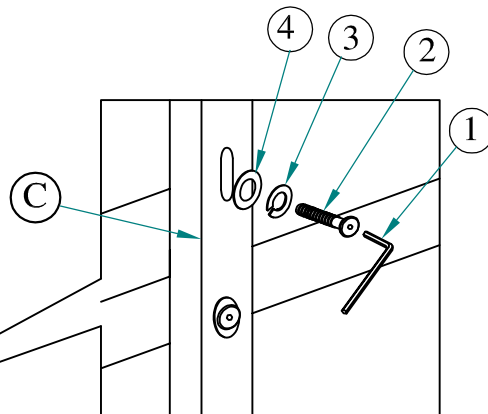
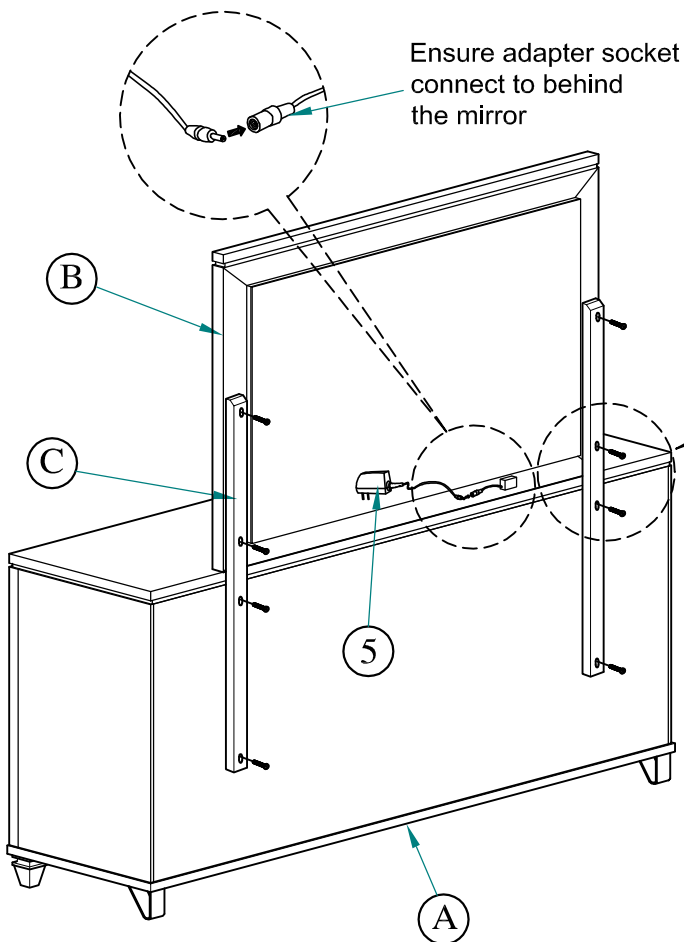
### PART LIST#

NO	NAME	PART	QTY
A	Dresser		1pc
B	Mirror		1pc
C	Mirror Support		2pcs

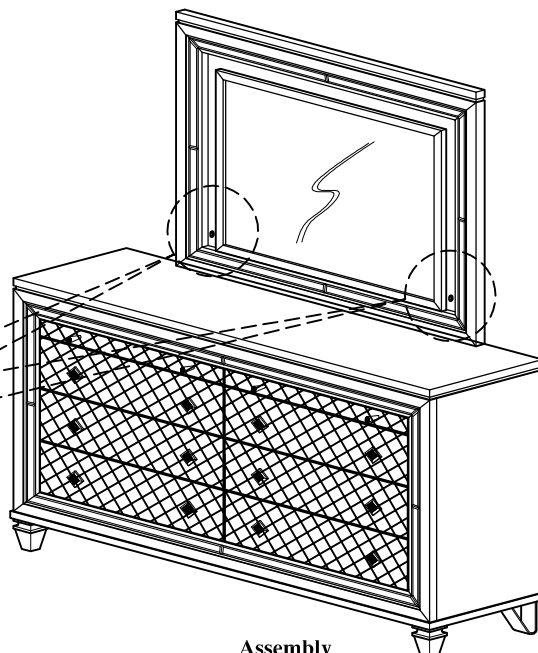
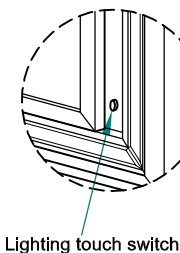
### HARDWARE LIST#

NO	NAME	PART	QTY
1	Allen key		1pc
2	JCBC 35mm		8pcs
3	M6 Spring washer		8pcs
4	1/4" Flat washer		8pcs
5	AC/DC Adapter		1pc

### HARDWARE LOCATED IN MIRROR BOX



Step 1: Place (B) Mirror on the top of (A) Dresser as arrow shown. Align Mirror to the center of Dresser and tighten with (2) JCBC 35mm, (3) Spring Washer & (4) Flat Washer.



Assembly completed.

# ASSEMBLY INSTRUCTION


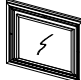

GLOBAL FURNITURE USA

MODEL : 9749 PARIS






DESCRIPTION : PARIS-DR-WL / PARIS-MR W/LIGHT

Thank you for purchasing this quality product. Be sure to check all packing material carefully for small parts which may have loose inside the carton during shipment. Identify and count all parts and compare with the parts list below.

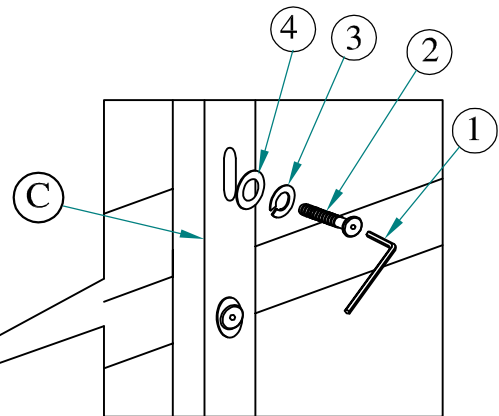
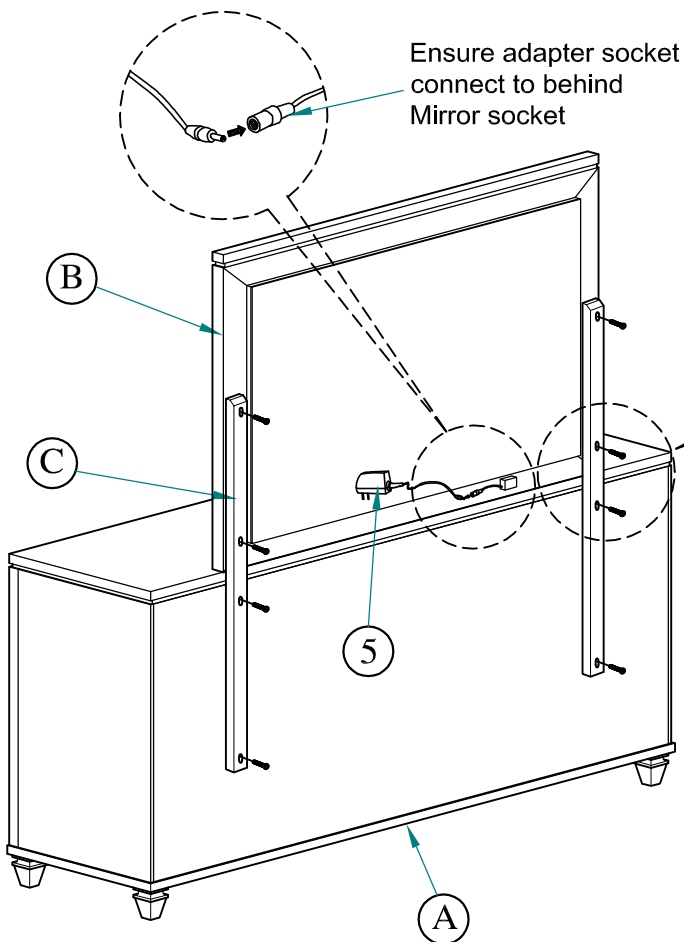
## PART LIST#

NO	NAME	PART	QTY
A	Dresser		1pc
B	Mirror		1pc
C	Mirror Support		2pcs

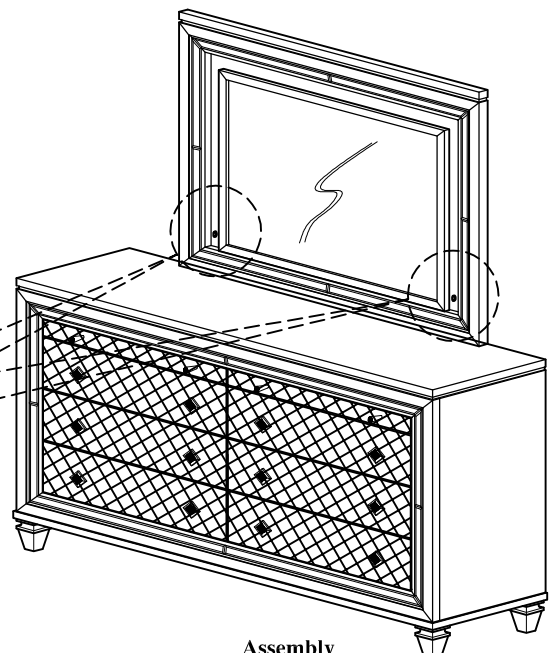
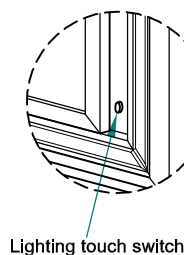
## HARDWARE LIST#

NO	NAME	PART	QTY
1	Allen key		1pc
2	JCBC 35mm		8pcs
3	M6 Spring washer		8pcs
4	1/4" Flat washer		8pcs
5	AC/DC Adapter		1pc

### HARDWARE LOCATED IN MIRROR BOX



Step 1: Place (B) Mirror on the top of (A) Dresser as arrow shown. Align Mirror to the center of Dresser and tighten with (2) JCBC 35mm, (3) Spring Washer & (4) Flat Washer.



Assembly completed.