

ASSEMBLY INSTRUCTIONS

MODEL : 8030A MONACO DINING TABLE

(BOX 1)

BOX OF DINING TABLE

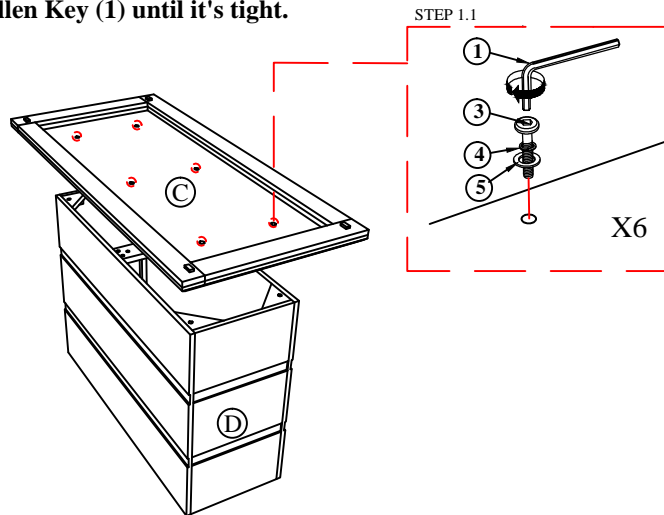
NO	ITEM	QTY
A	TABLE TOP	1 PC
B	CENTER PANEL	1 PC
C	TABLE BOTTOM	1 PC
D	TABLE LEG	1PC

(BOX 1)

HARDWARE LIST

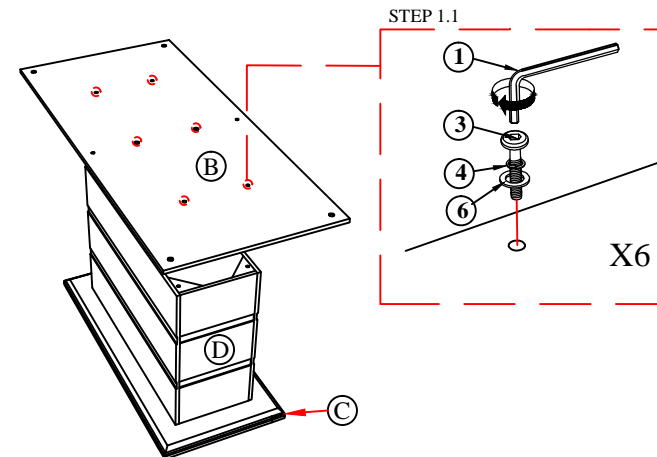
No	ITEM	Qty
1	Allen Key M4 X 65mm	1 pcs
2	JCBC Bolt m6x25mm Blk	6 pcs
3	JCBC Bolt m6x35mm	12 pcs
4	Spring Washer 1/4" Blk	18 pcs
5	Flat Washer 1/4"Dx19mmOD Blk	6 pc
6	Flat Washer 1/4"Dx13mmOD Blk	12 pc

STEP 1 : Place the Table Bottom (C) on the Table Leg (D), fasten it the JCBC Bolt (3) together with Spring Washer (4) & Flat Washer (5) use an Allen Key (1) until it's tight.

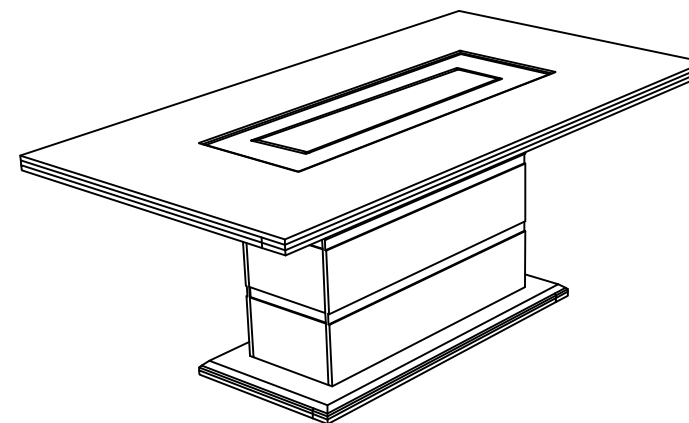
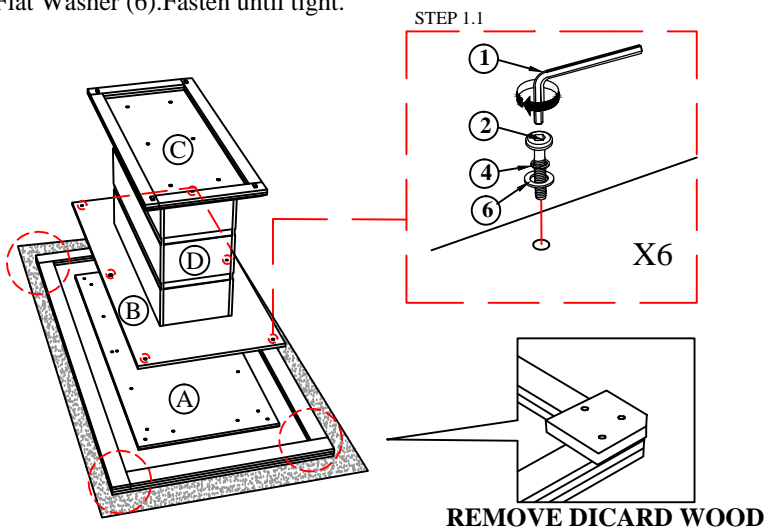


STEP 2 :

Turn it upside down and place the Center Panel (B) on the Table Leg (D), fasten it the JCBC Bolts (3) together with Spring Washers (4) & Flat Washers (6) using an Allen Key (1) until tight.



STEP 3 : Place the Table Top (A) upside down on a soft surface, then turn the Table Leg upside down and place it under the Table Top (A) as shown below. fasten the screw JCBC Bolt (2) together with Spring Washer (4) & Flat Washer (6). Fasten until tight.



COMPLETED ASSEMBLY