
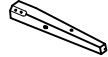
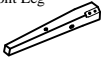

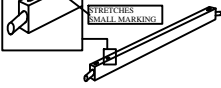
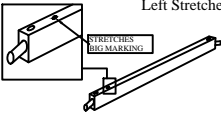










ASSEMBLY INSTRUCTIONS

MODEL : 9025A
MONACO BAR STOOL CHAIR

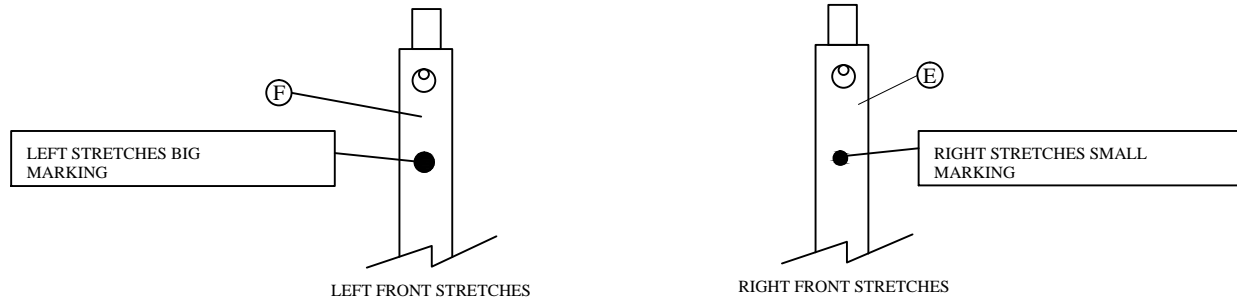
PART LIST (X2)

No	ITEM	Qty
A	Back Rest 	1 pc
B	Right Front Leg with small hole marking 	1 pc
C	Left Front Leg 	1 pc
D	Cushion Seat 	1 pc
E	Right Stretcher 	1 pc
F	Left Stretcher 	1 pc
G	Front Stretcher 	1 pc

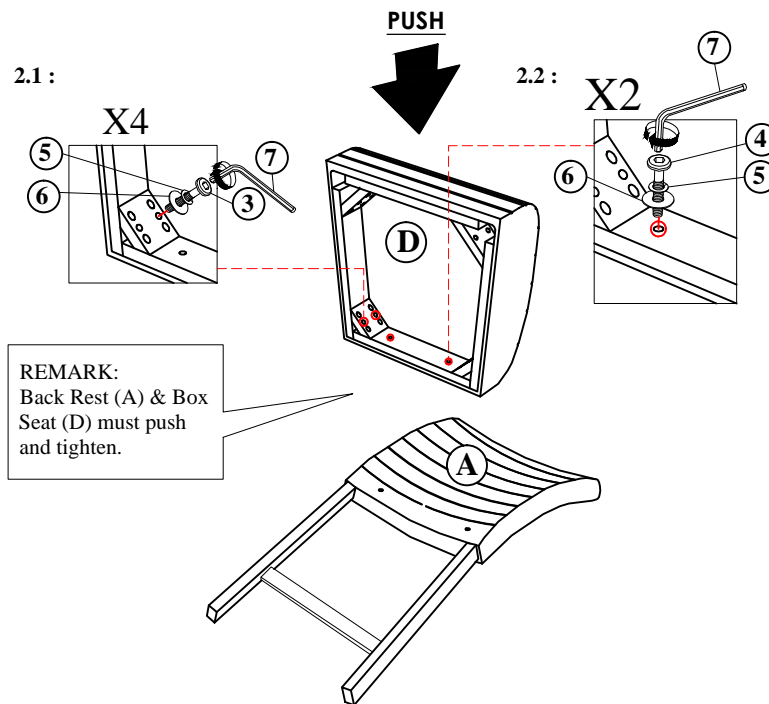
HARDWARE LIST (X2)

No	ITEM	Qty
1	CSK SCREW M4 x 35MM 	6 pcs
2	JCBB BOLT M8 x 50MM 	4 pcs
3	JCBB BOLT M8 x 70MM 	4 pcs
4	JCBB BOLT M8 x 40MM 	2 pcs
5	SPRING WASHER M8 BLK 	10 pcs
6	FLAT WASHER M8 x 22 BLK 	10 pcs
7	ALLEN KEY M5 	1 pc

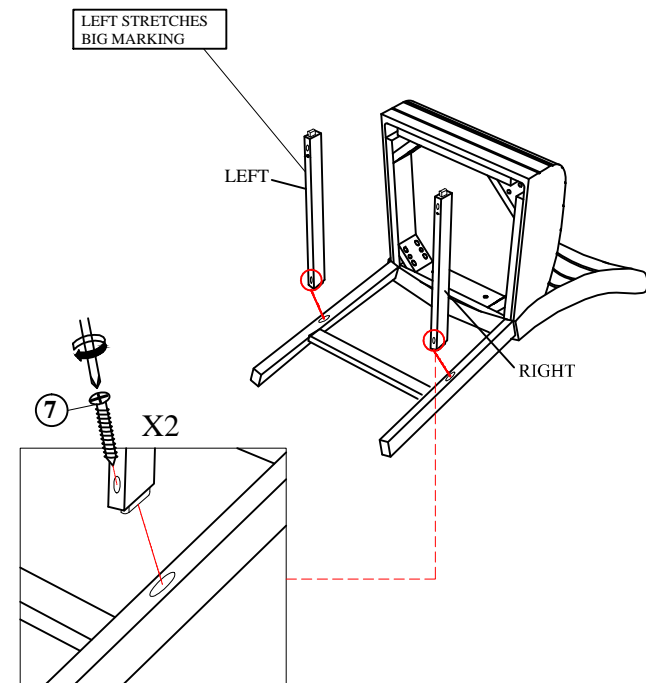
STEP 1 : Remove chair leg from the box seat (D) by open the bottom seat cover as shown.



STEP 2 : Align the cushion seat (D) to the Back Rest (A) by secure with JCBB Bolt (3), Spring Washer (5) & flat washer (6) and tighten them with Allen Key (7) (DO NOT TIGHTEN BOLTS DURING THIS STEP)



STEP 3 : Tighten the Right stretcher (E) and Left stretcher (F) with Csk Screw (1) and tighten with Screw Driver . (Not Included)



STEP 4 : Fix Front Stretcher (G) to Front Leg Right (B) & Front Leg Left (C) with CSK Screw (1) and tighten with screw driver . (Not Included)

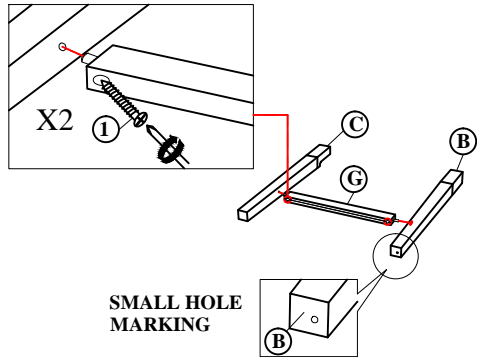
STEP 5 : Tighten the Right stretcher (E) and Left stretcher (F) with Csk Screw (1) and tighten with Screw Driver . (Not Included)

(Reminder : Make sure all legs stable on the floor surface before FULLY TIGHTEN all the screw .)

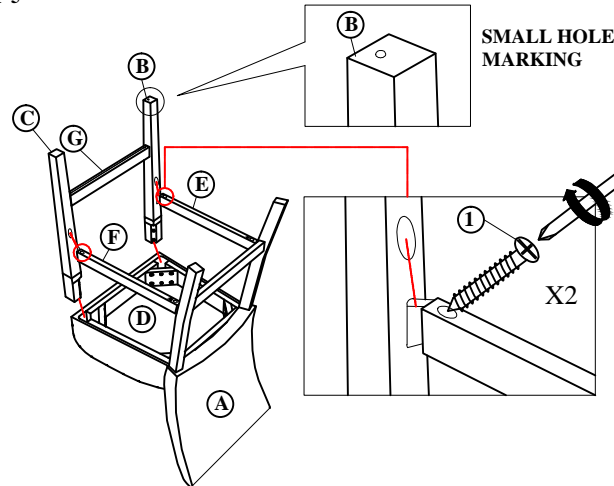
STEP 6 : Fix Front Leg (B) & (C) to Cusion Seat (D) and Secure With JCBC Bolt (2), Spring Washer (5) & Flat Washer (6) and tighten them with Allen Key (7) .

(Reminder : Make sure all legs stable on the floor surface before FULLY TIGHTEN all the screw .)

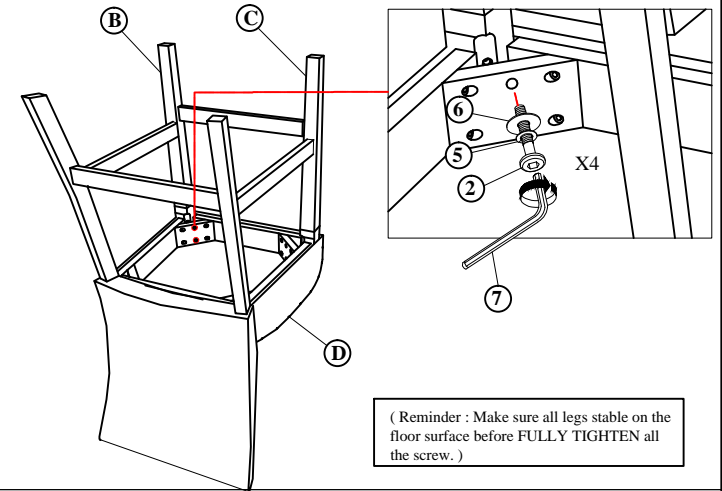
STEP 4



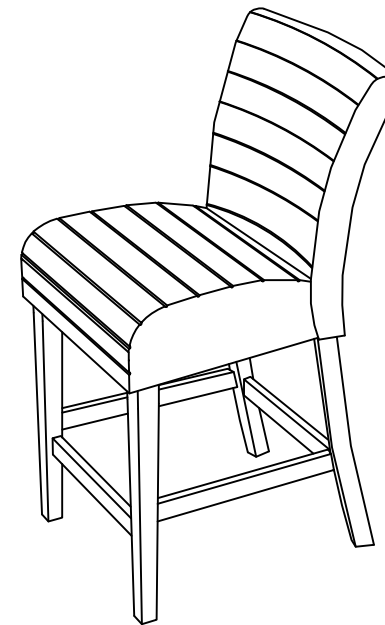
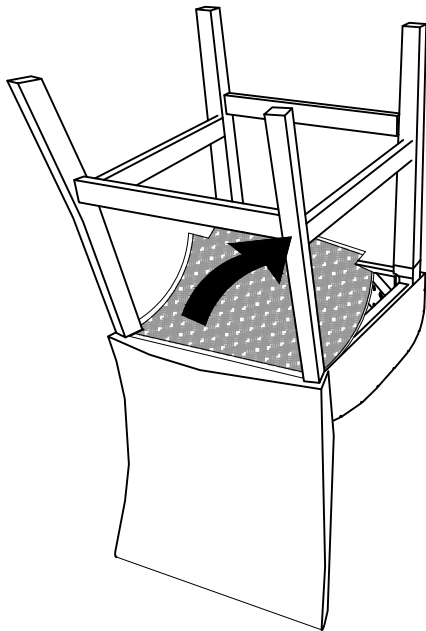
STEP 5



STEP 6



STEP 7 : Closed down the cover of bottom cusion seat (C) after all parts completely fixed.



COMPLETE ASSEMBLY

NOTE : MUST TIGHTEN SCREWS PERIODCALLY WITH USE SCREW WILL BECOME LOOSE CHECK TIGHTNESS OF ALL SCREW EVERY 6-8 WEEKS.

PAGE 2 OF 2