

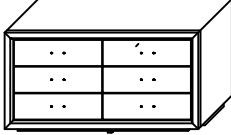
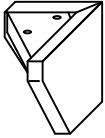
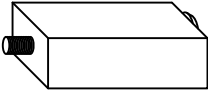
# DR-LISBON ASSEMBLY INSTRUCTION

Thank you for purchasing this quality product. Be sure any small parts and hardware not for children under 3 years. Adult assembly required.


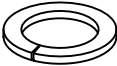
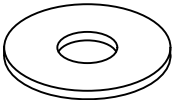

**"DO NOT TIGHTEN SCREWS UNTIL COMPLETELY ASSEMBLED"**

**"DO NOT OVERTIGHT ANY HARDWARE"**

## PARTS LIST


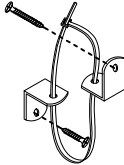
ITEM	DESCRIPTION	DRAWING	QTY
1	DRESSER		1 PC
2	LEG		4 PCS
4	CENTRE LEG		1 PC

## HARDWARE LIST

ITEM	DESCRIPTION	DRAWING	QTY
A	JCBC SCREW (M6 x 40mm)		4 PCS
B	SPRING WASHER (M6 x 13MM)		4 PCS
C	FLAT WASHER (M6 x 19MM)		4 PCS
D	WOOD DOWEL (M8 x 30MM)		4 PCS

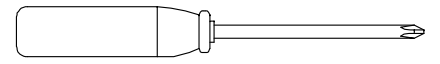
# DR-LISBON ASSEMBLY INSTRUCTION

## HARDWARE LIST

ITEM	DESCRIPTION	DRAWING	QTY
E	ALLEN KEY (M4 x 65MM)		1 PC
F	TIPPING RESTRAINT		1 SET

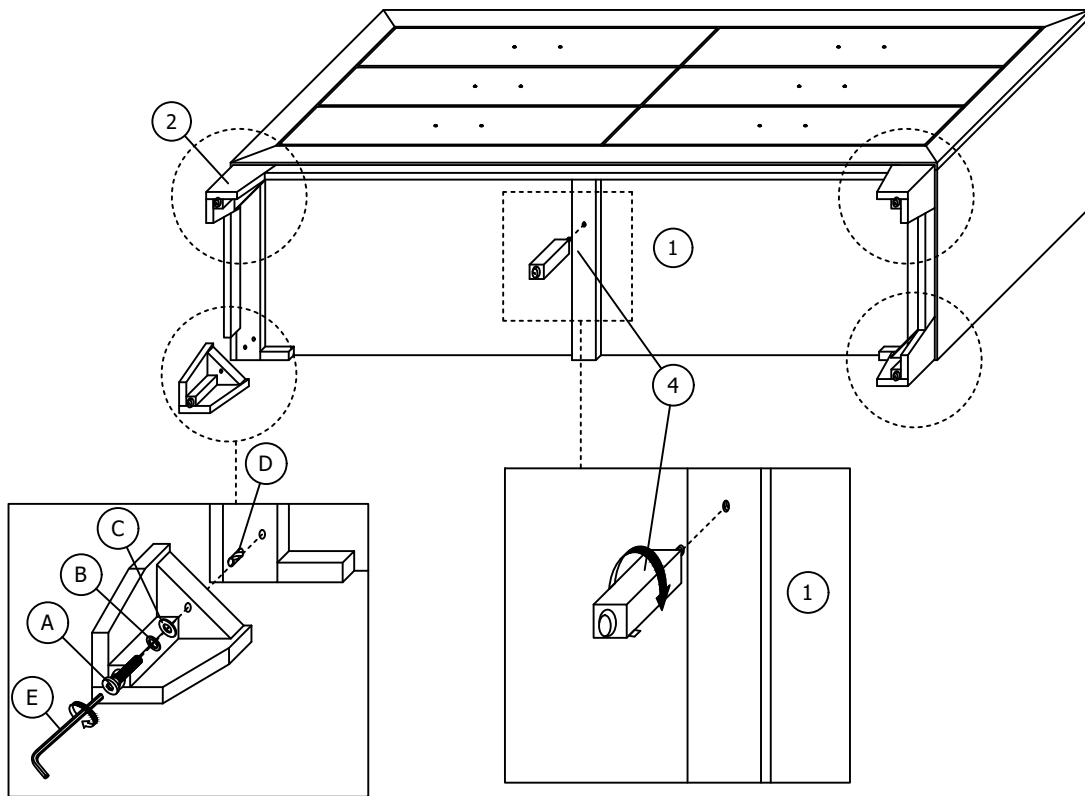
### ASSEMBLY TOOLS REQUIRED

**Screwdriver (not provide)**



## ASSEMBLY STEPS

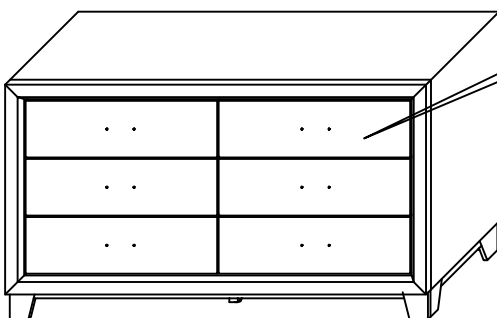
### STEP 1



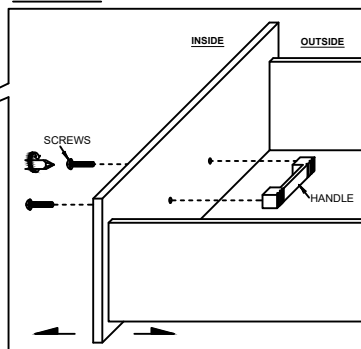
### STEP 2

**STEP 2.1:** Turn loose all the handles and screws.

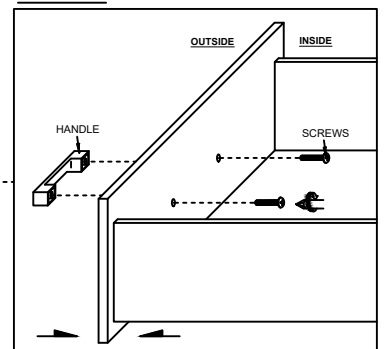
**STEP 2.2:** Exchange location of these items then tighten.



### STEP 2.1

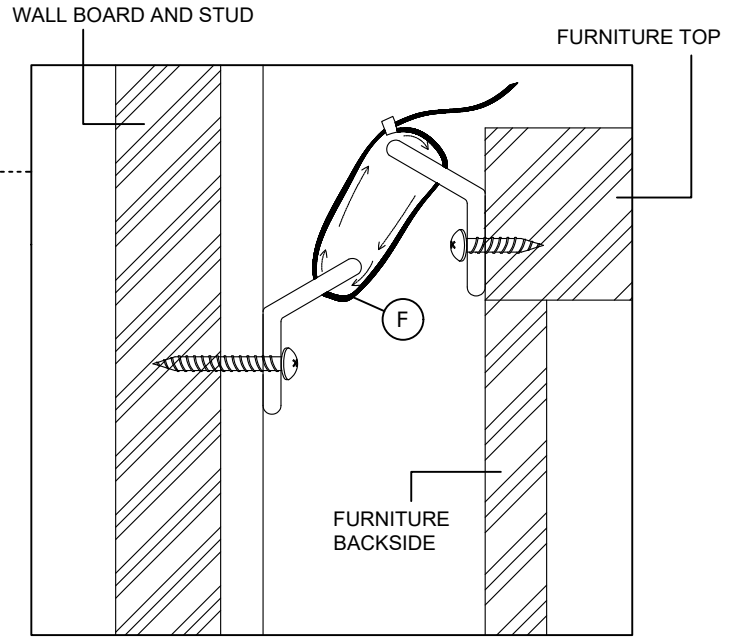
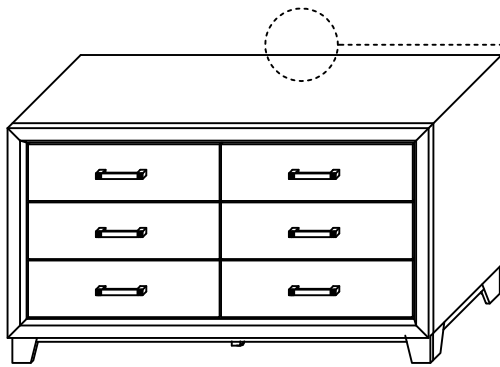


### STEP 2.2

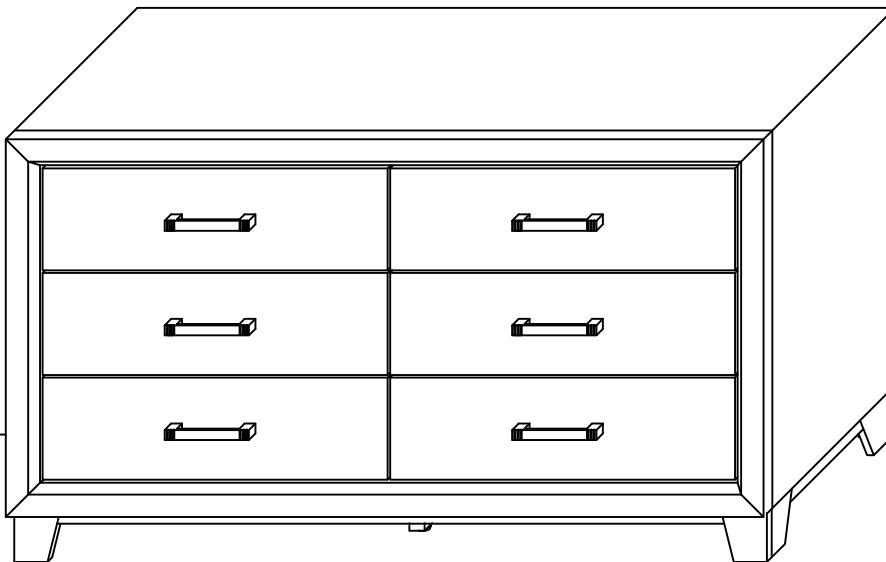


# DR-LISBON ASSEMBLY INSTRUCTION

## STEP 3



## STEP 4



**ASSEMBLY COMPLETED**