


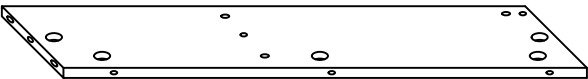
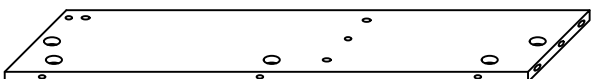
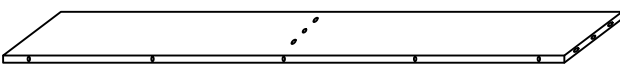
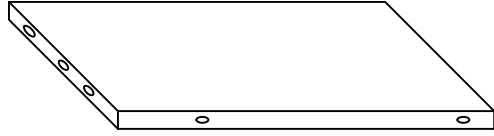
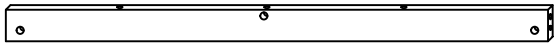
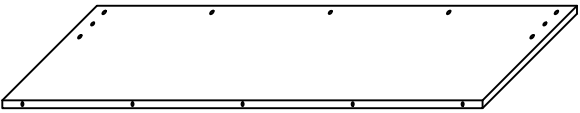
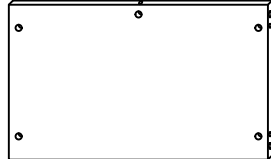
HUTCH AND DESK-LISBON ASSEMBLY INSTRUCTION

Thank you for purchasing this quality product. Be sure any small parts and hardware not for children under 3 years. Adult assembly required.

"DO NOT TIGHTEN SCREWS UNTIL COMPLETELY ASSEMBLED"

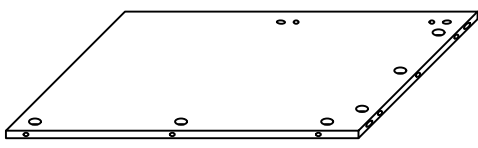
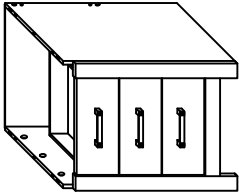
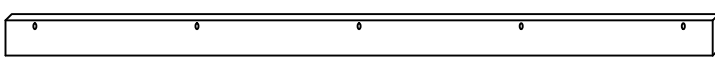
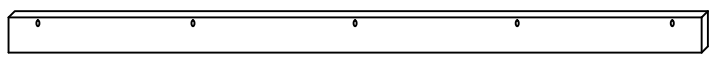
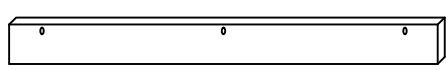
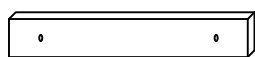
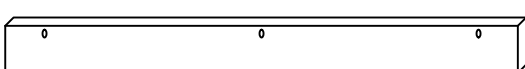
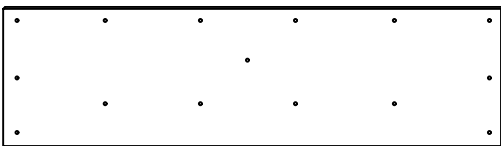
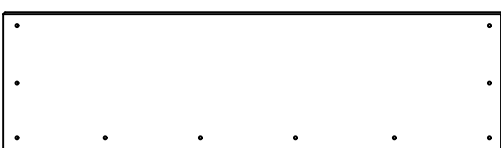
"DO NOT OVERTIGHT ANY HARDWARE"

PARTS LIST

ITEM	DESCRIPTION	DRAWING	QTY
1	HUTCH TOP PANEL		1 PC
2	HUTCH LEFT PANEL		1 PC
3	HUTCH RIGHT PANEL		1 PC
4	HUTCH CENTER PANEL		1 PC
5	HUTCH COMPARTMENT PANEL		1 PC
6	SUPPORT RAIL		1 PC
7	DESK TOP PANEL		1 PC
8	DESK BACK PANEL		1 PC




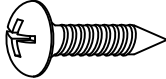

HUTCH AND DESK-LISBON ASSEMBLY INSTRUCTION

PARTS LIST

ITEM	DESCRIPTION	DRAWING	QTY
9	DESK SIDE PANEL		1 PC
10	NIGHTSTAND		1 PC
11	DESK TOP FRAME PANEL		2 PCS
12	HUTCH CENTER FRAME PANEL		1 PC
13	HUTCH SIDE FRAME PANEL		2 PCS
14	HUTCH COMPARTMENT FRAME PANEL		1 PC
15	DESK SIDE FRAME PANEL		1 PC
16	HUTCH UPPER BACK PANEL		1 PC
17	HUTCH BACK PANEL		1 PC

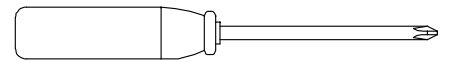
HUTCH AND DESK-LISBON ASSEMBLY INSTRUCTION

HARDWARE LIST

ITEM	DESCRIPTION	DRAWING	QTY
A	MINIFIX CAM LOCK		51 PCS
B	MINIFIX CAM BOLT		51 PCS
C	WOOD DOWEL (M8 x 25MM)		30 PCS
D	PAN HEAD SCREW		25 PCS
E	PLASTIC STRIP (H SHAPE)		1 PC

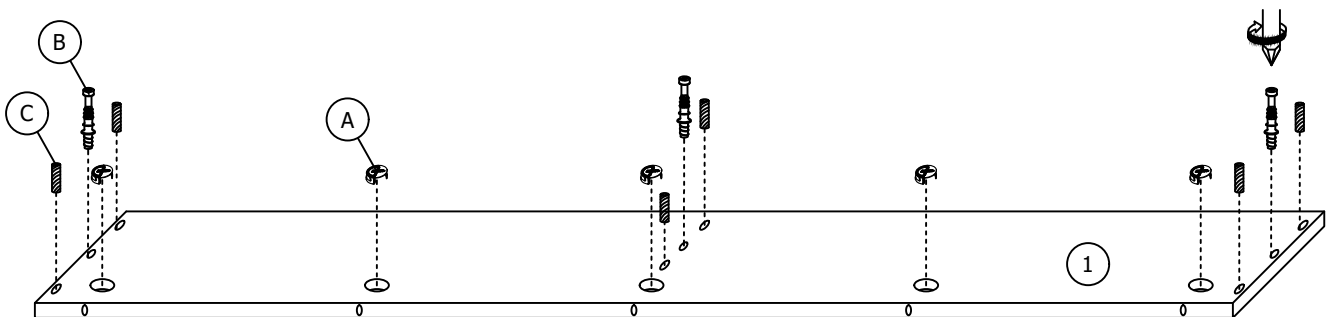
ASSEMBLY TOOLS REQUIRED

Screwdriver (not provide)



STEP 1

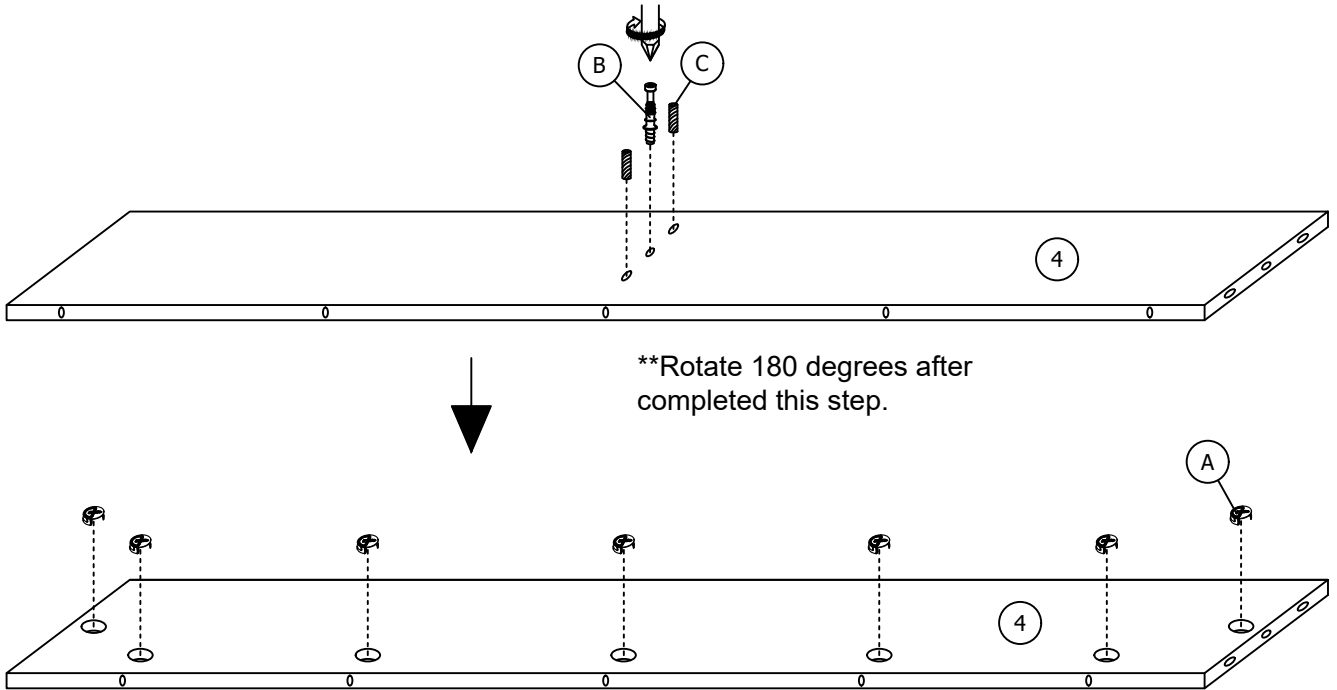
NOTE : - Make sure arrows on each (A) points towards nearest edge with holes.



HUTCH AND DESK-LISBON ASSEMBLY INSTRUCTION

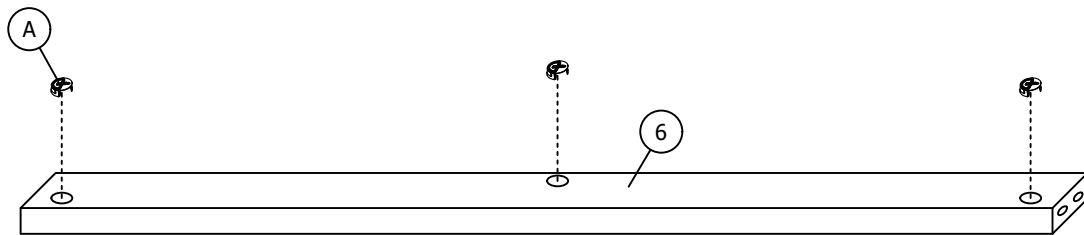
STEP 2

NOTE : - Make sure arrows on each (A) points towards nearest edge with holes.



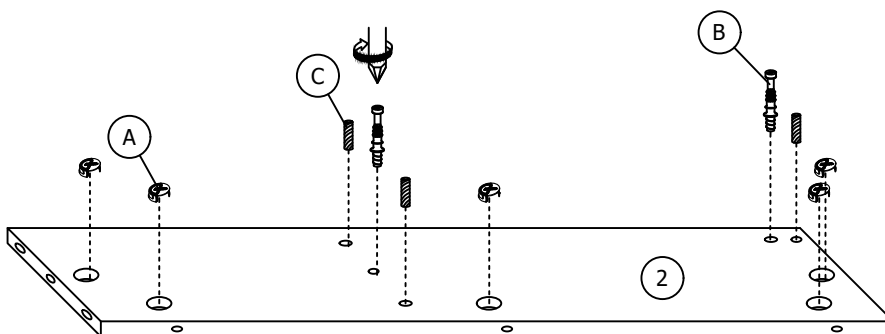
STEP 3

NOTE : - Make sure arrows on each (A) points towards nearest edge with holes.



STEP 4

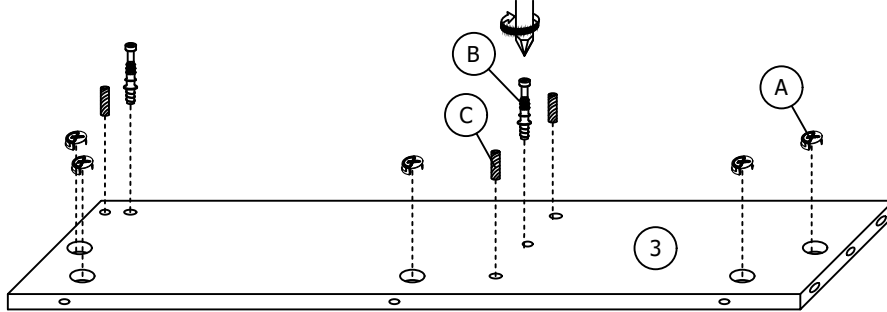
NOTE : - Make sure arrows on each (A) points towards nearest edge with holes.



HUTCH AND DESK-LISBON ASSEMBLY INSTRUCTION

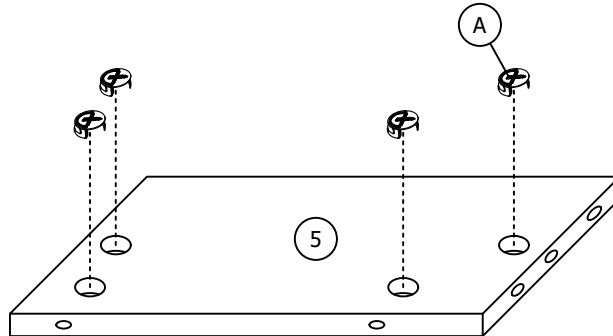
STEP 5

NOTE : - Make sure arrows on each (A) points towards nearest edge with holes.



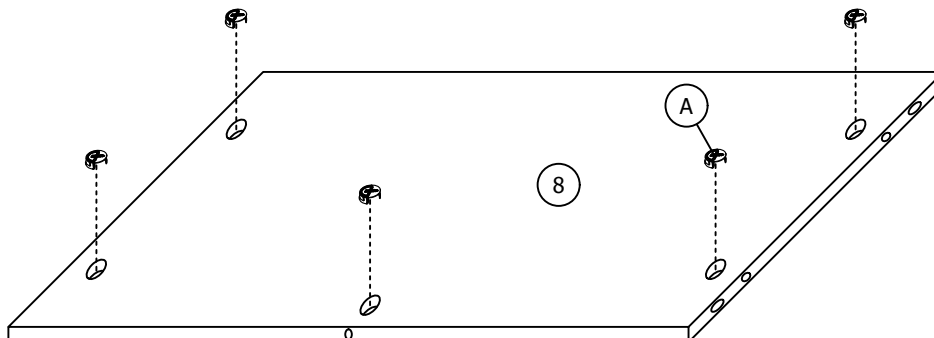
STEP 6

NOTE : - Make sure arrows on each (A) points towards nearest edge with holes.



STEP 7

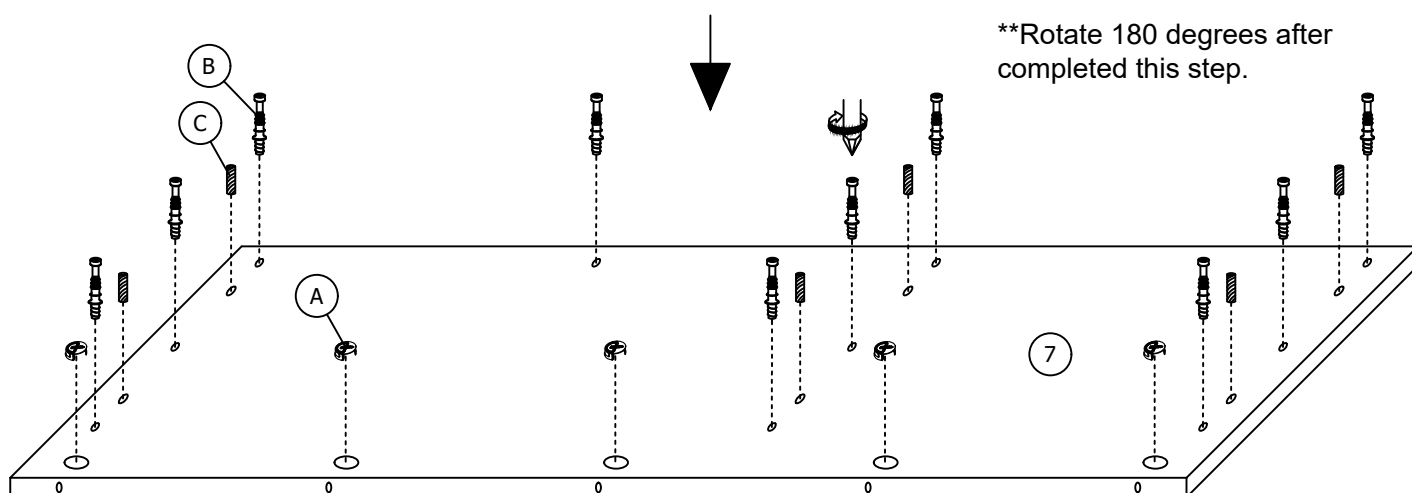
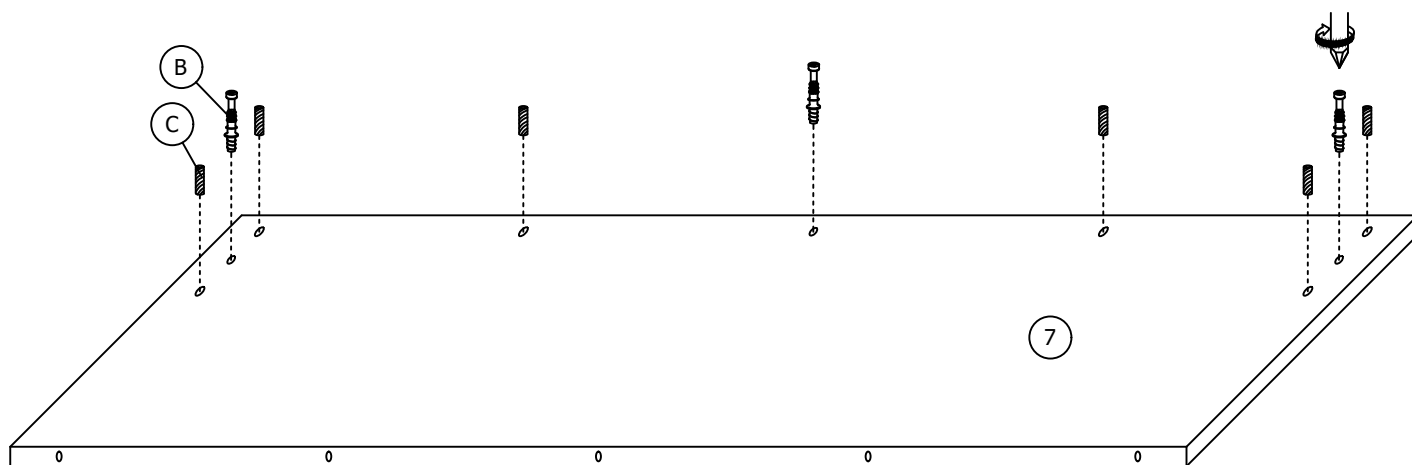
NOTE : - Make sure arrows on each (A) points towards nearest edge with holes.



HUTCH AND DESK-LISBON ASSEMBLY INSTRUCTION

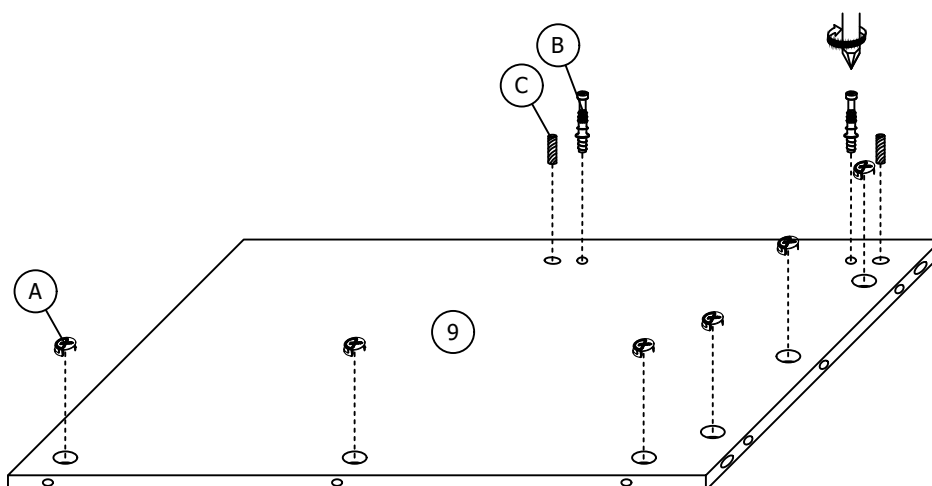
STEP 8

NOTE : - Make sure arrows on each (A) points towards nearest edge with holes.



STEP 9

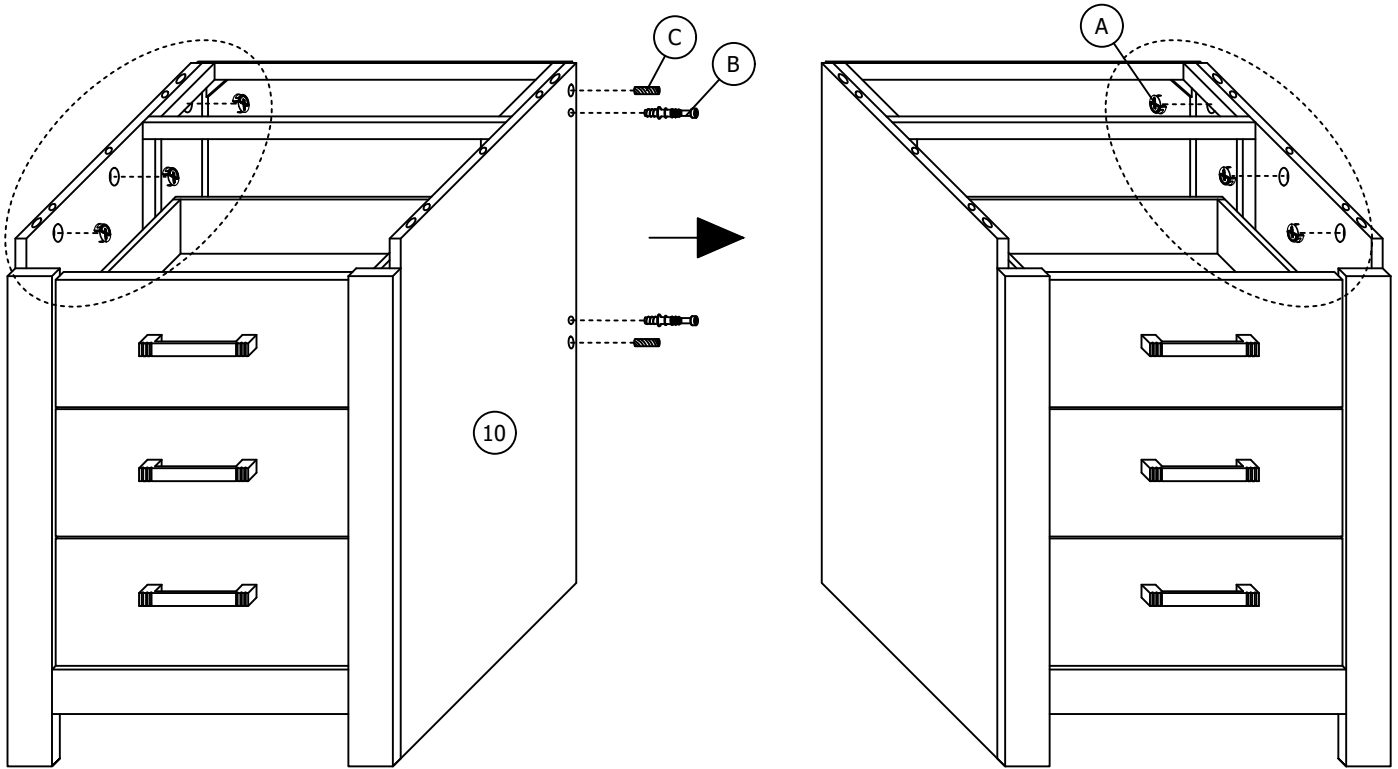
NOTE : - Make sure arrows on each (A) points towards nearest edge with holes.



HUTCH AND DESK-LISBON ASSEMBLY INSTRUCTION

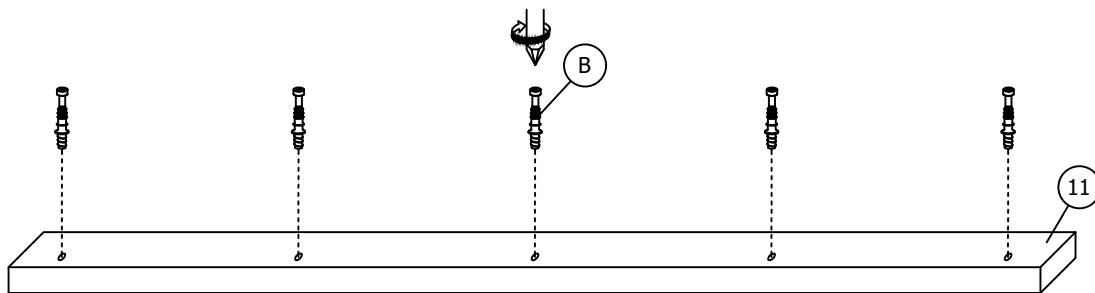
STEP 10

NOTE : - Make sure arrows on each (A) points towards nearest edge with holes.

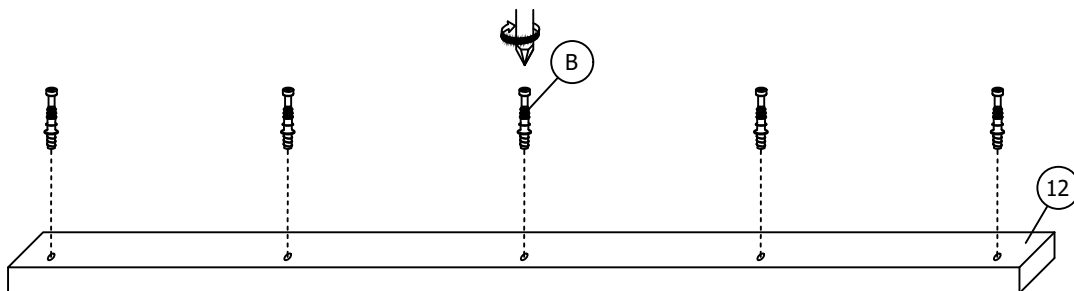


STEP 11

x 2



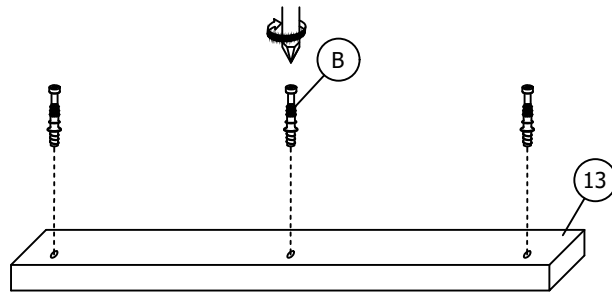
STEP 12



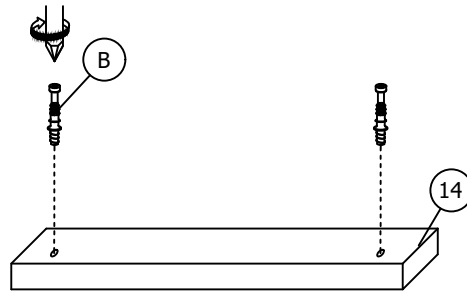
HUTCH AND DESK-LISBON ASSEMBLY INSTRUCTION

STEP 13

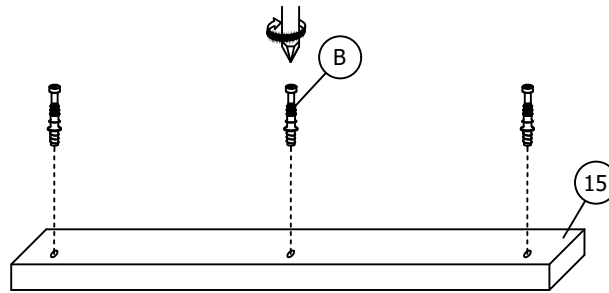
x 2



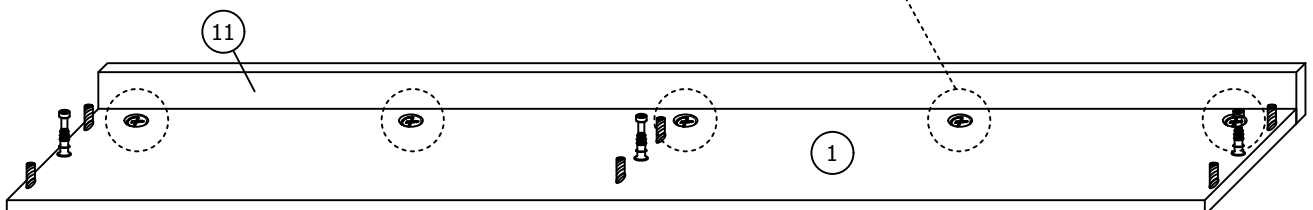
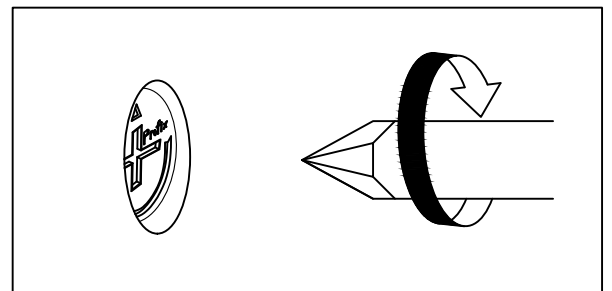
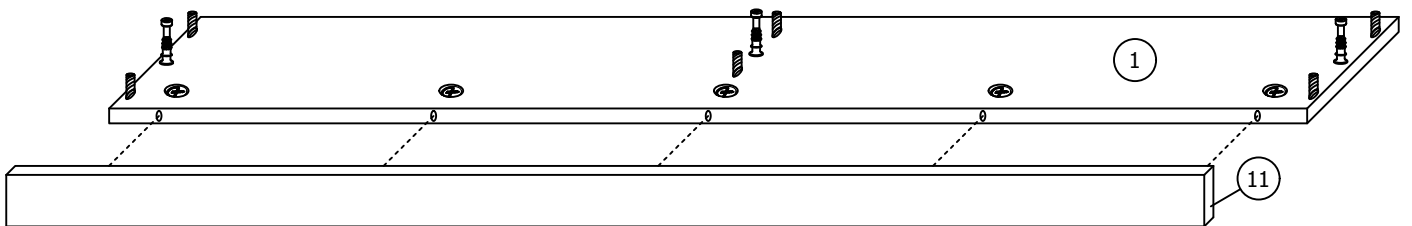
STEP 14



STEP 15

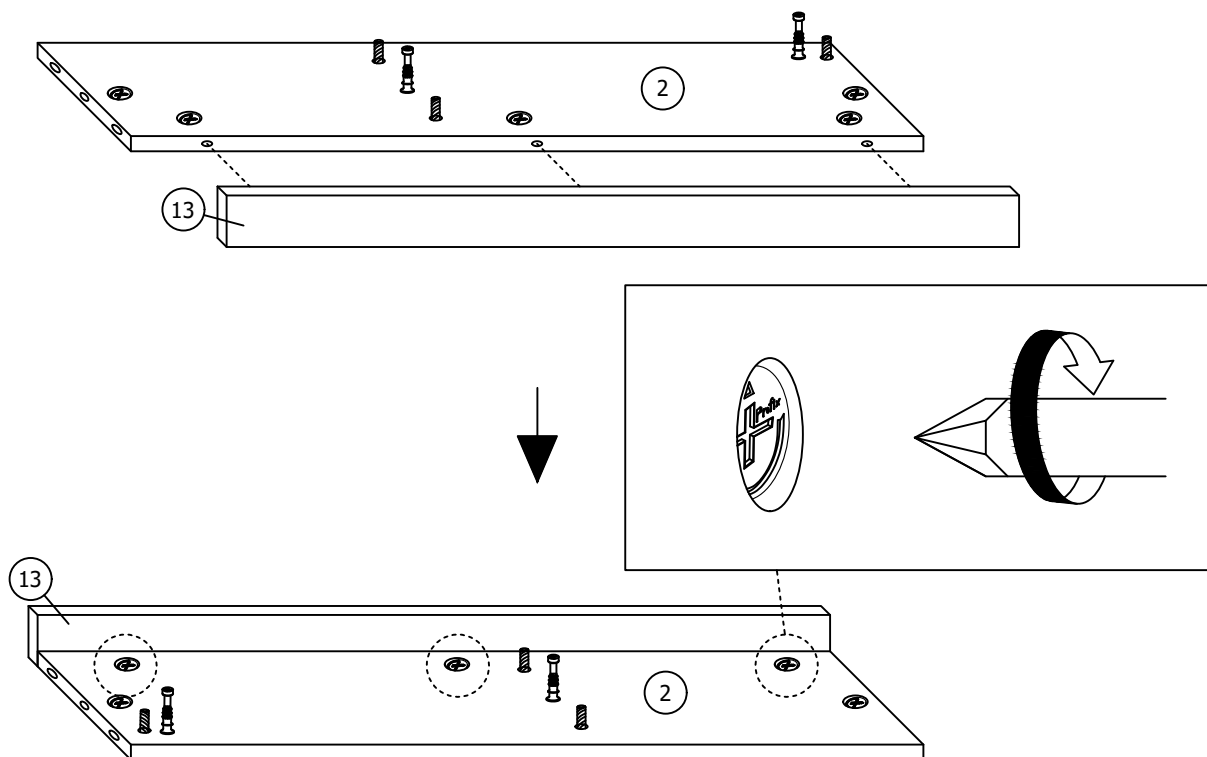


STEP 16

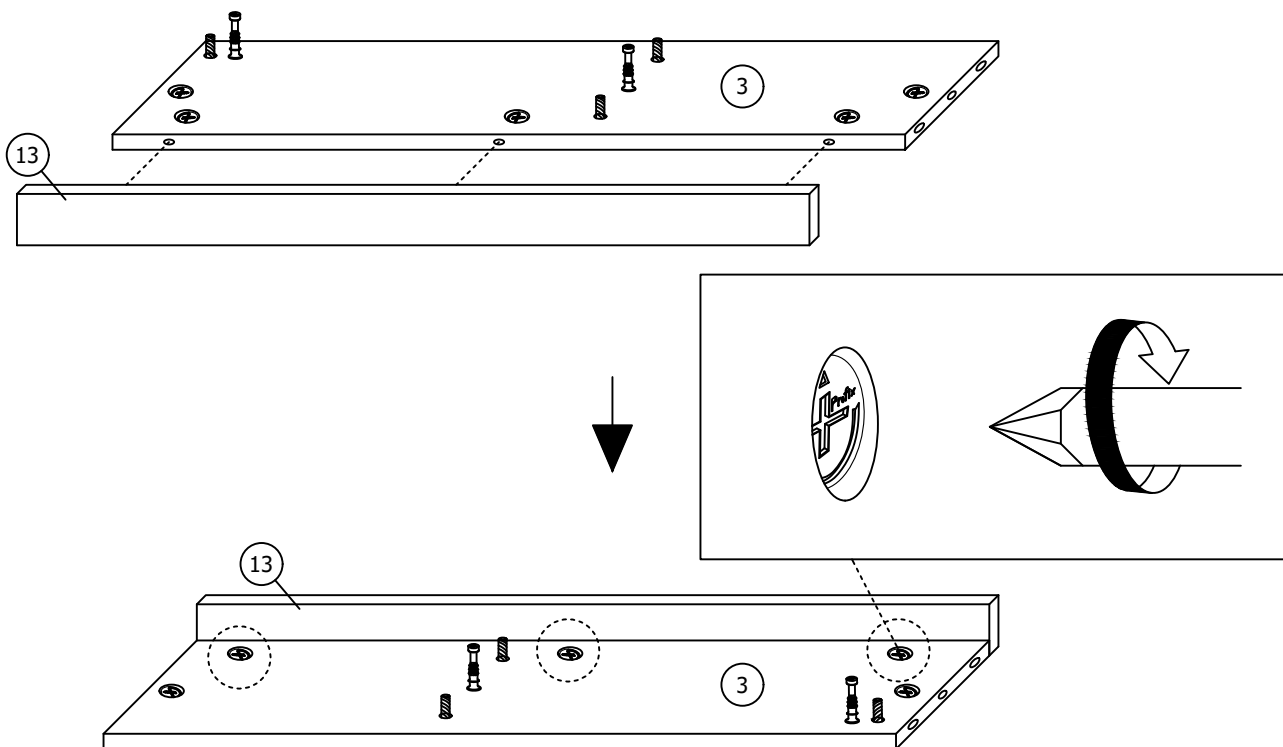


HUTCH AND DESK-LISBON ASSEMBLY INSTRUCTION

STEP 17

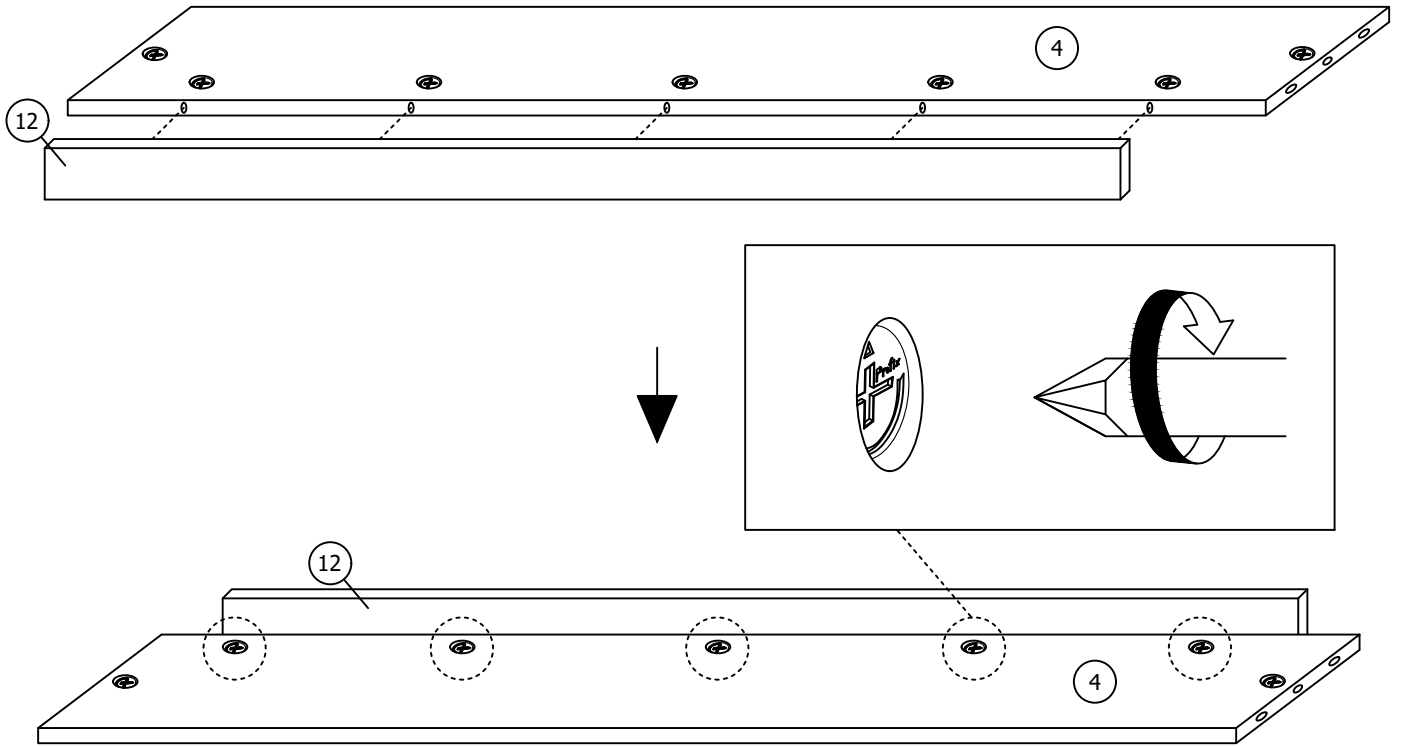


STEP 18

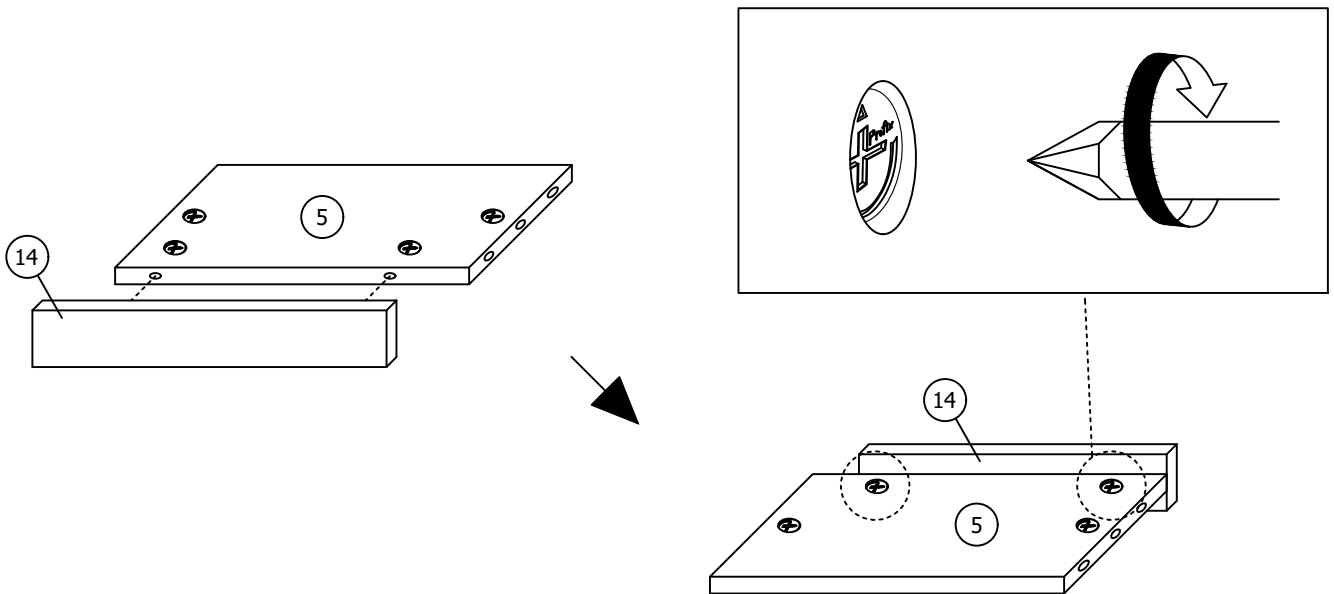


HUTCH AND DESK-LISBON ASSEMBLY INSTRUCTION

STEP 19

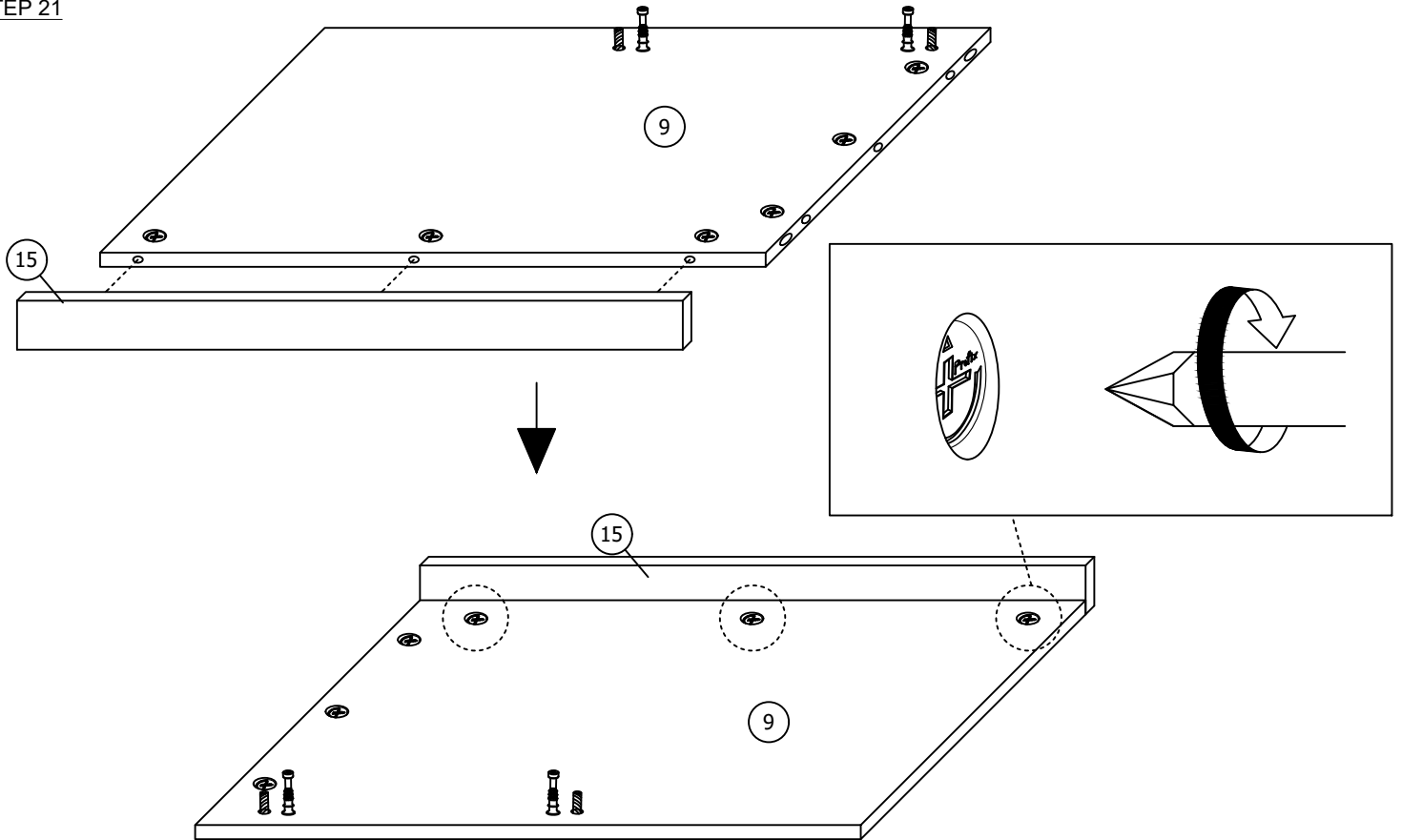


STEP 20

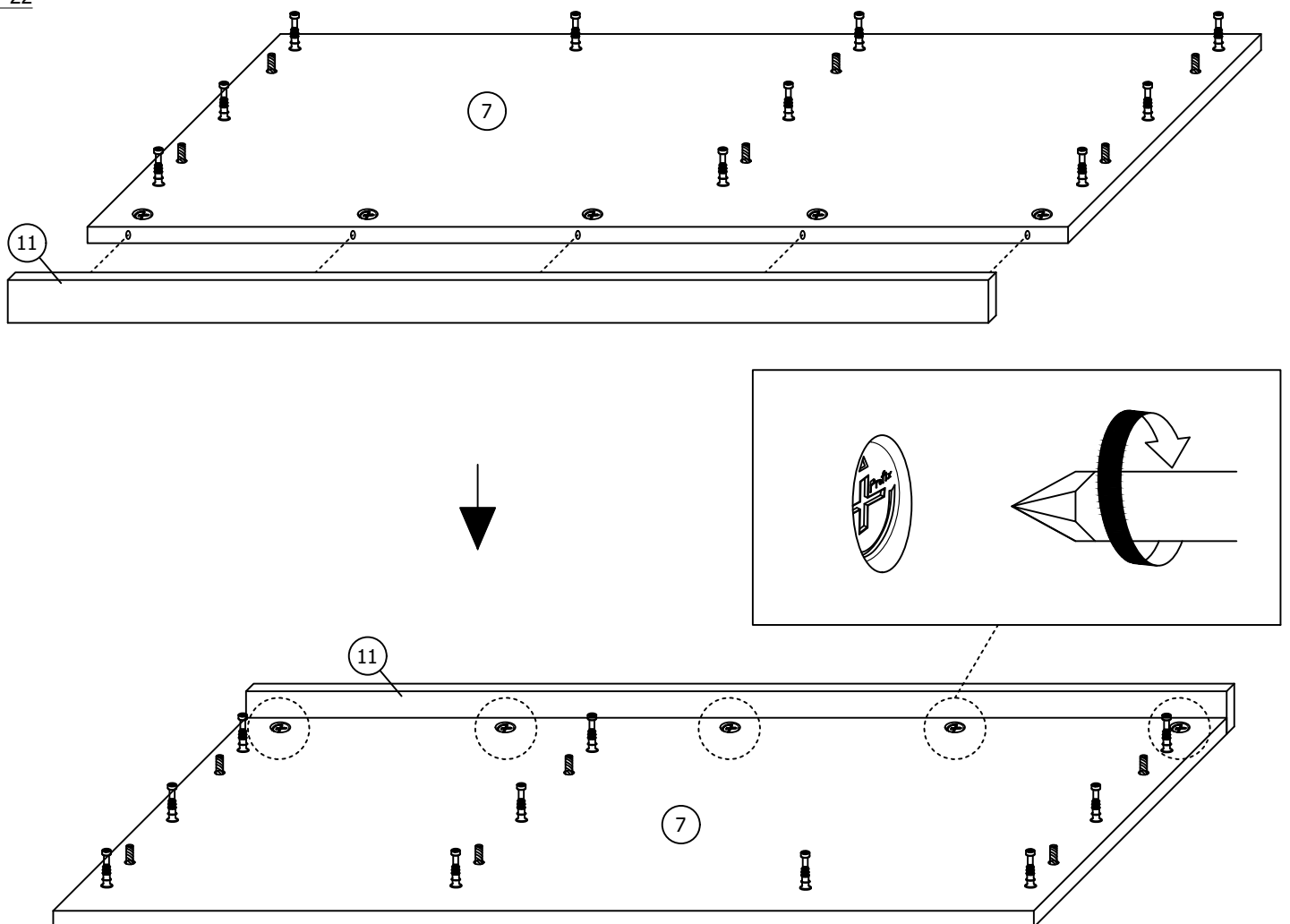


HUTCH AND DESK-LISBON ASSEMBLY INSTRUCTION

STEP 21

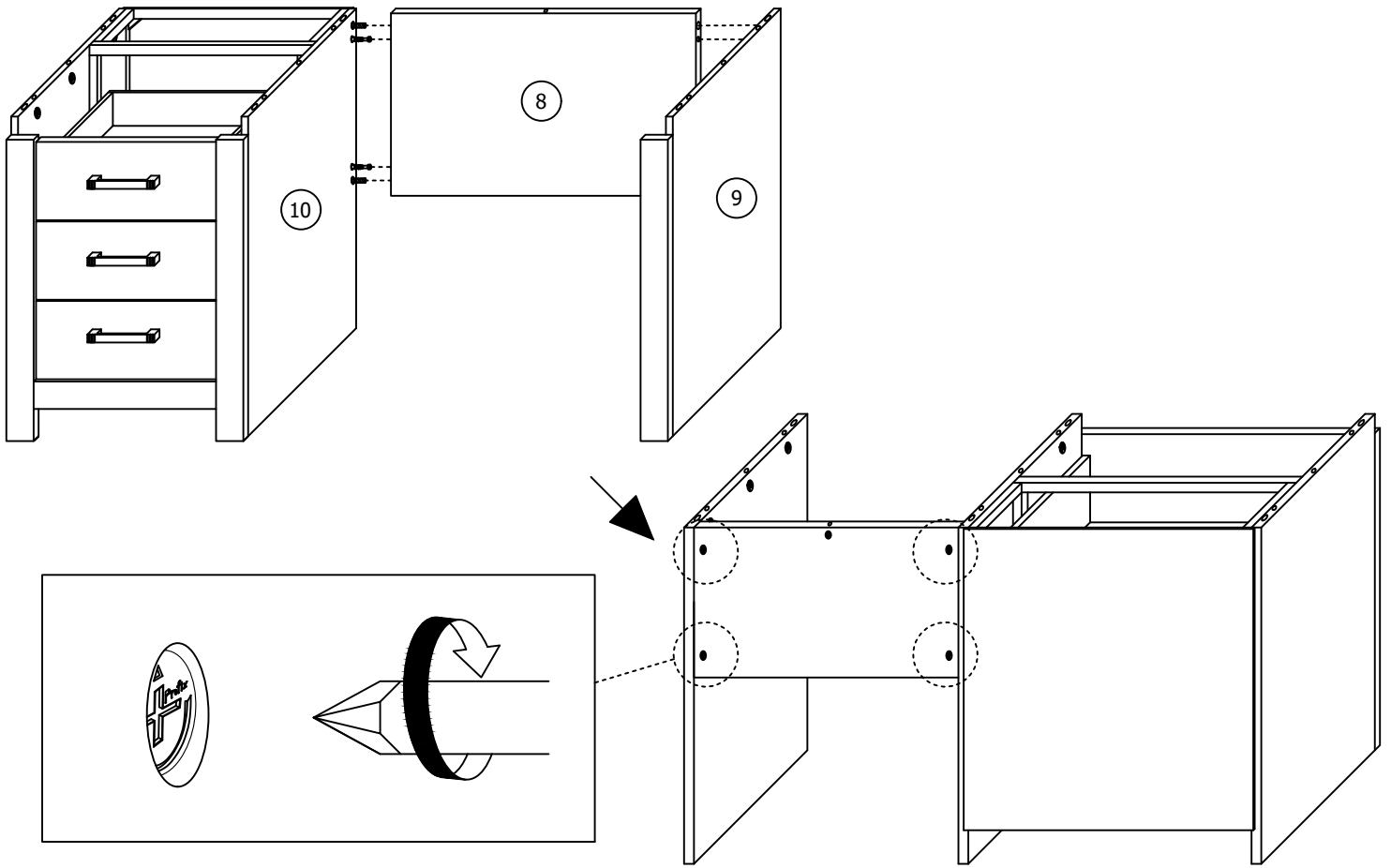


STEP 22



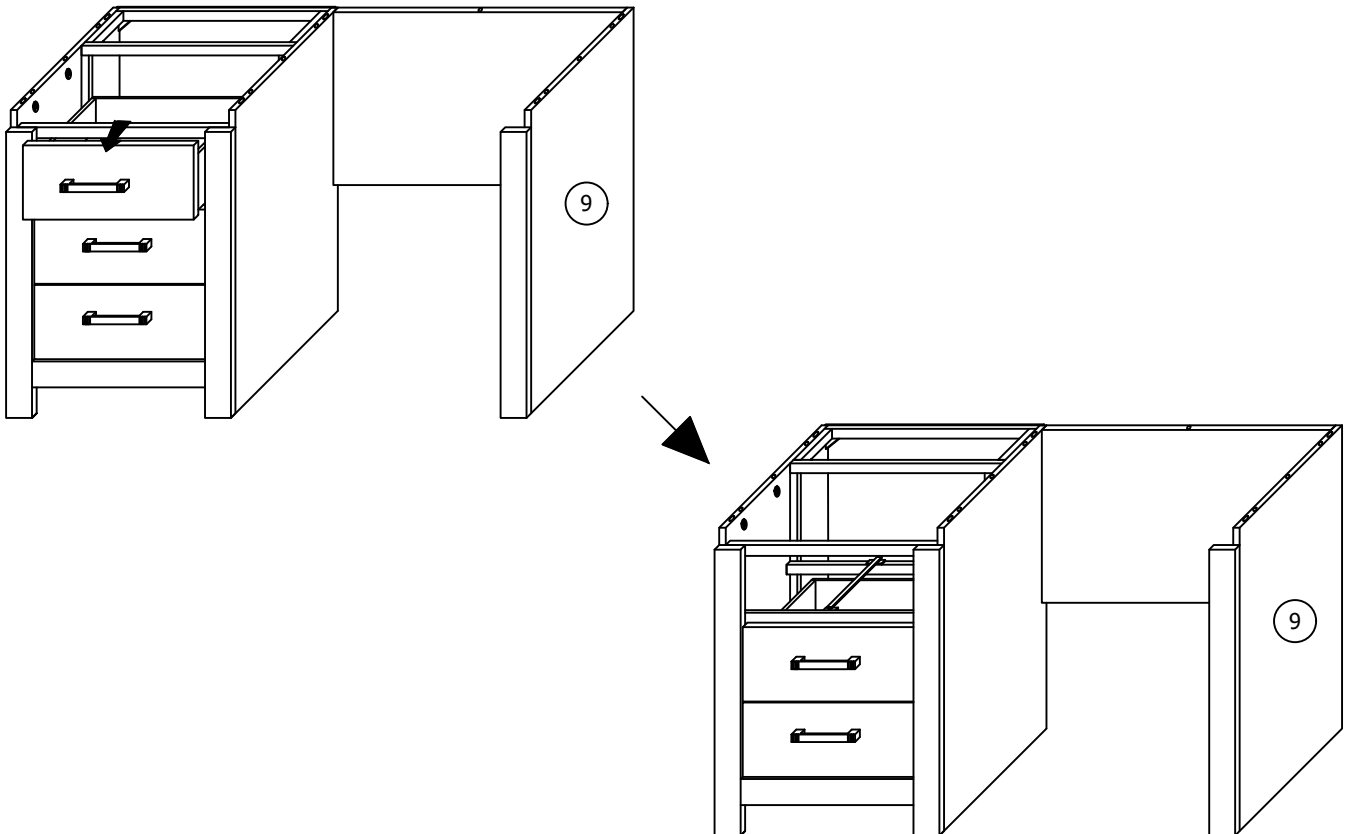
HUTCH AND DESK-LISBON ASSEMBLY INSTRUCTION

STEP 23



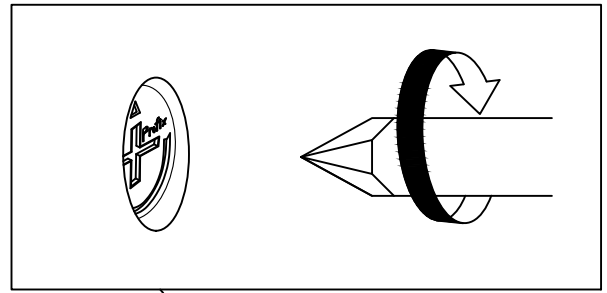
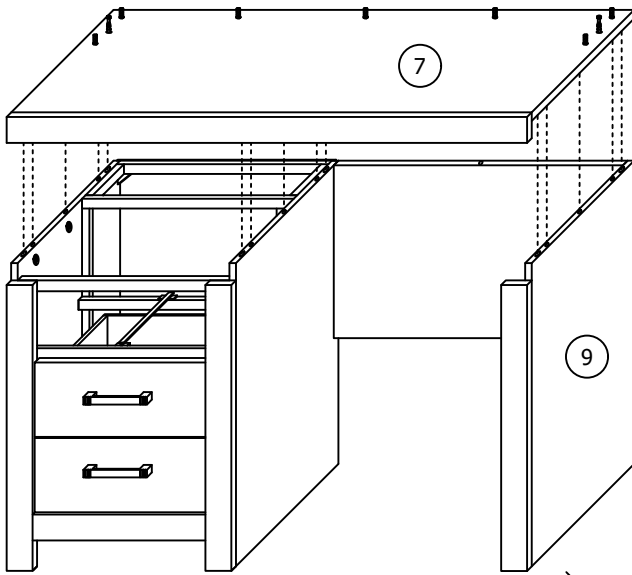
STEP 24

TAKE OUT THE FIRST DRAWER

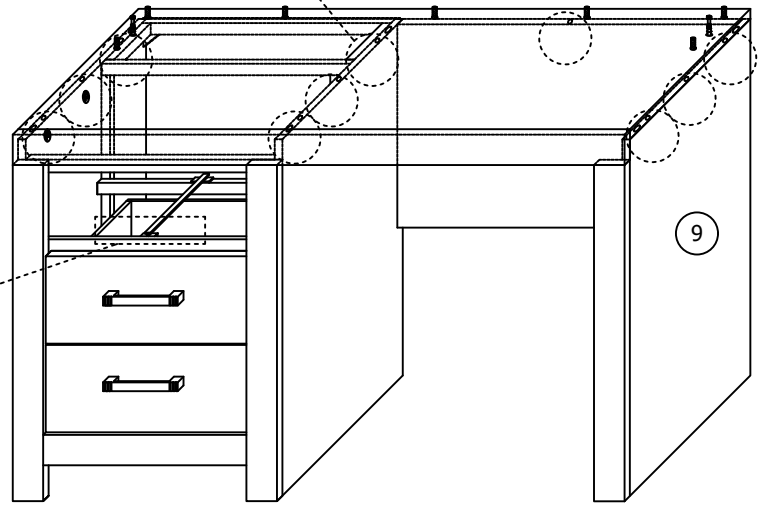


HUTCH AND DESK-LISBON ASSEMBLY INSTRUCTION

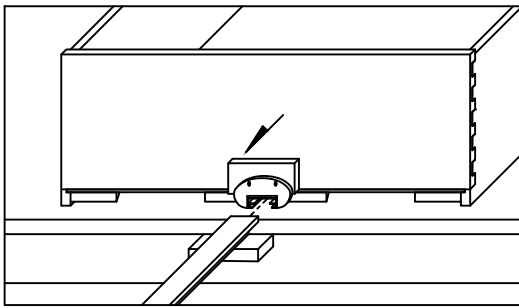
STEP 25



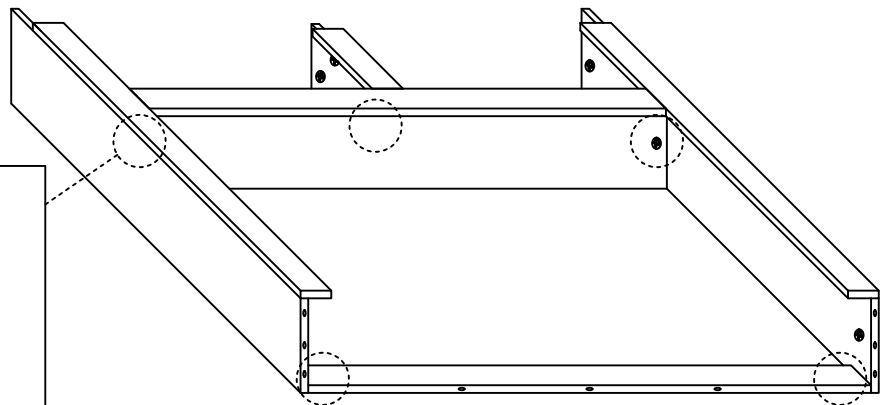
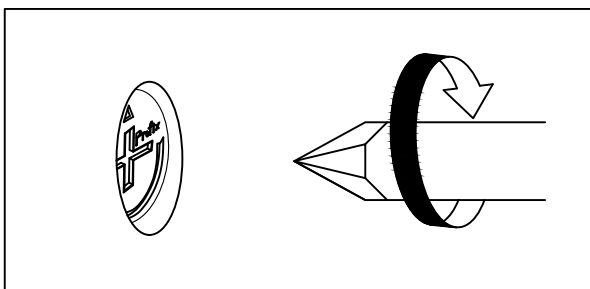
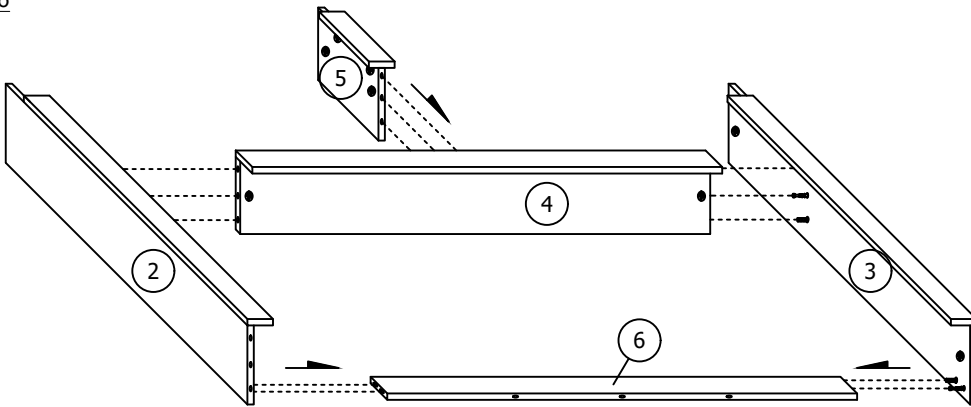
INSIDE VIEW



PUT BACK DRAWER AFTER ASSEMBLY

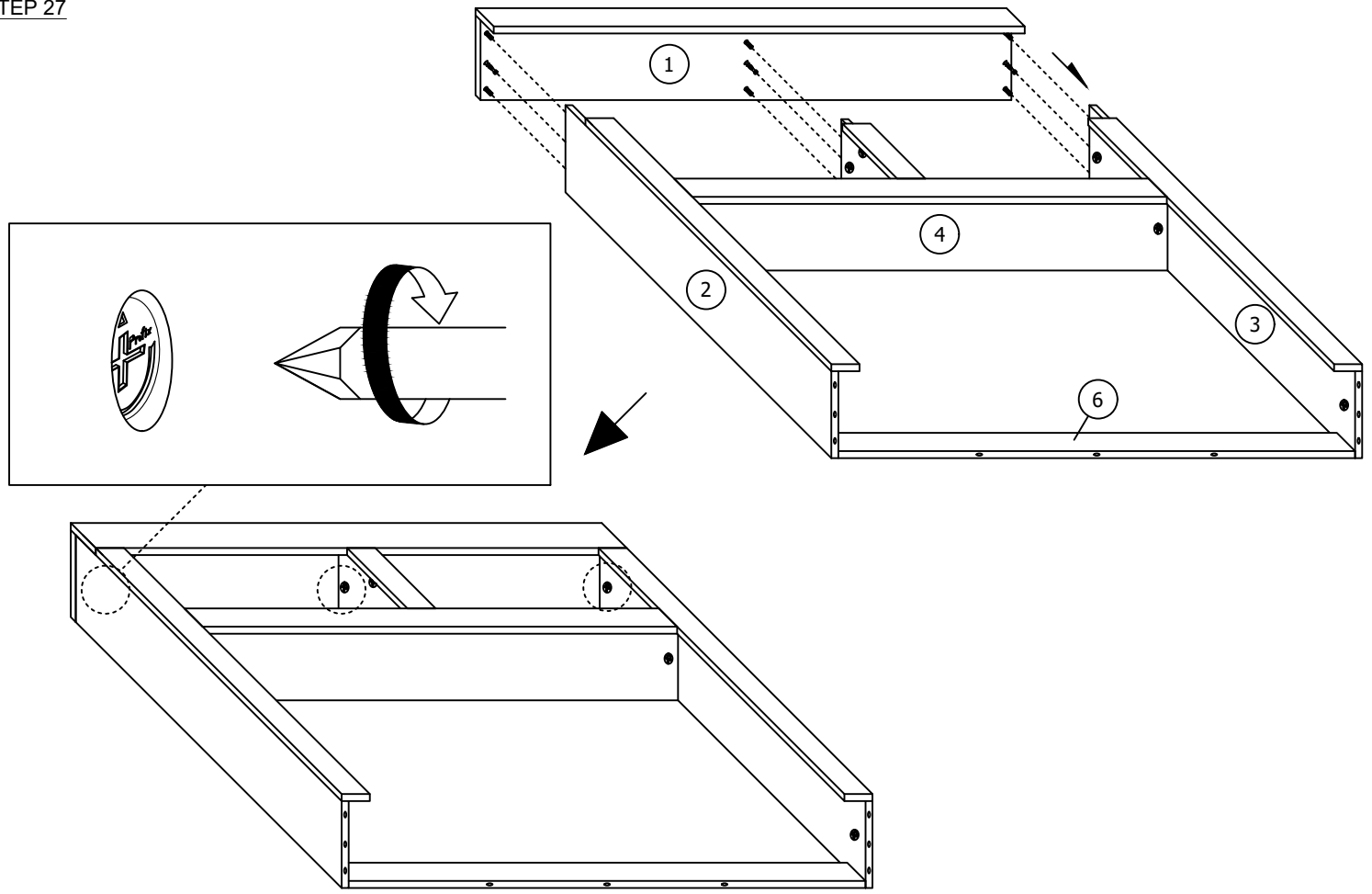


STEP 26

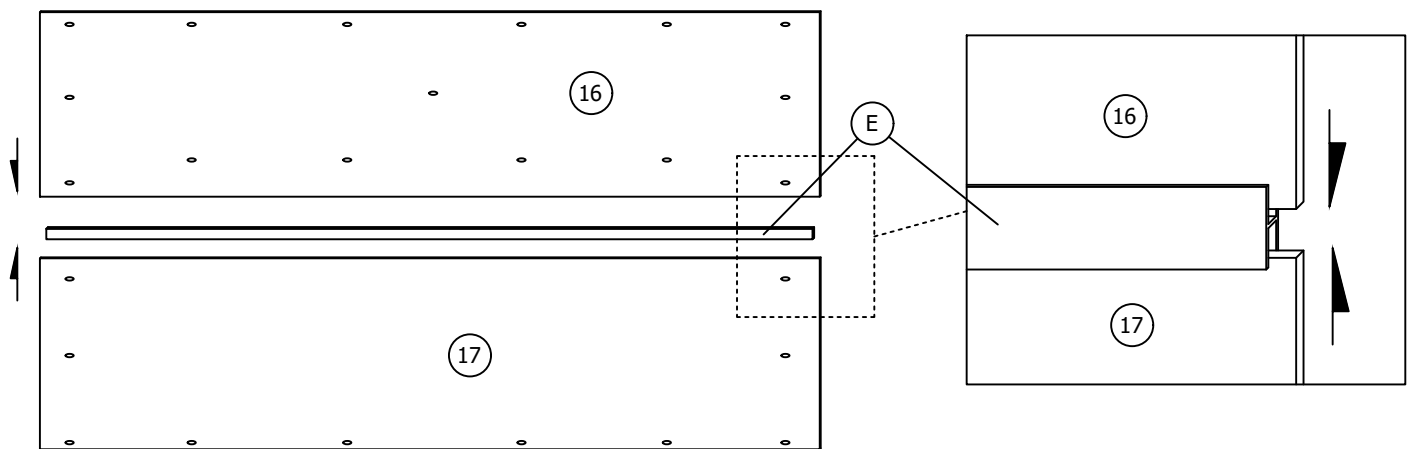


HUTCH AND DESK-LISBON ASSEMBLY INSTRUCTION

STEP 27

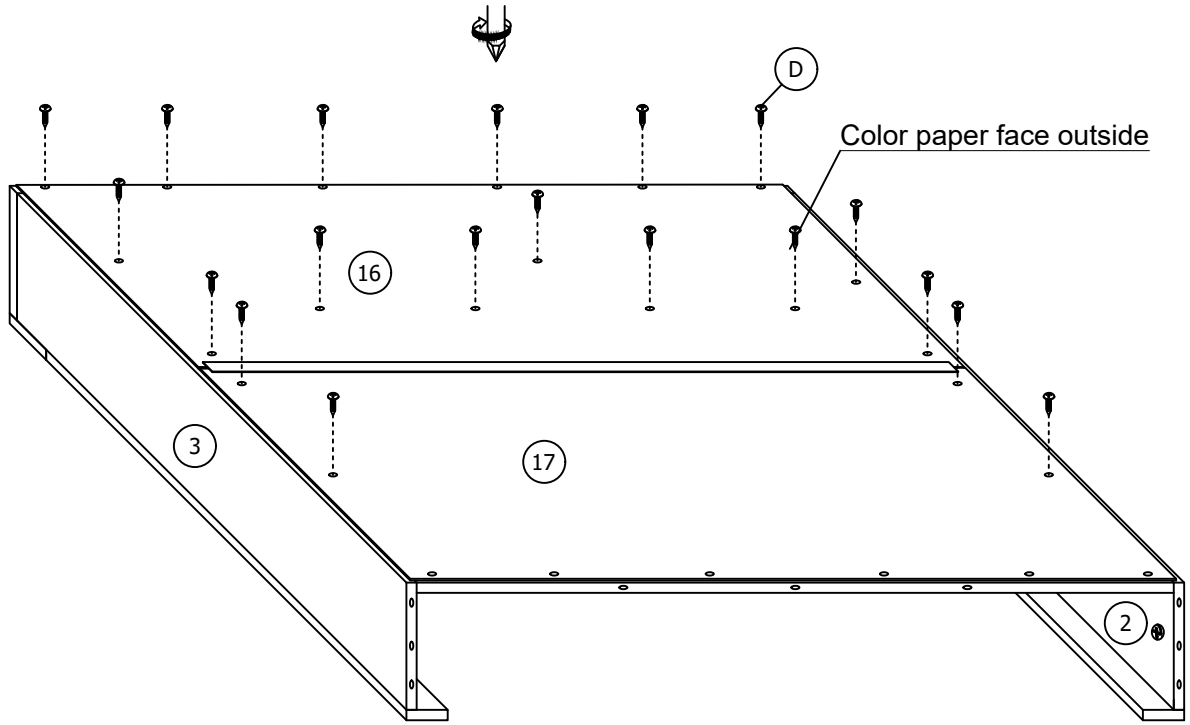


STEP 28

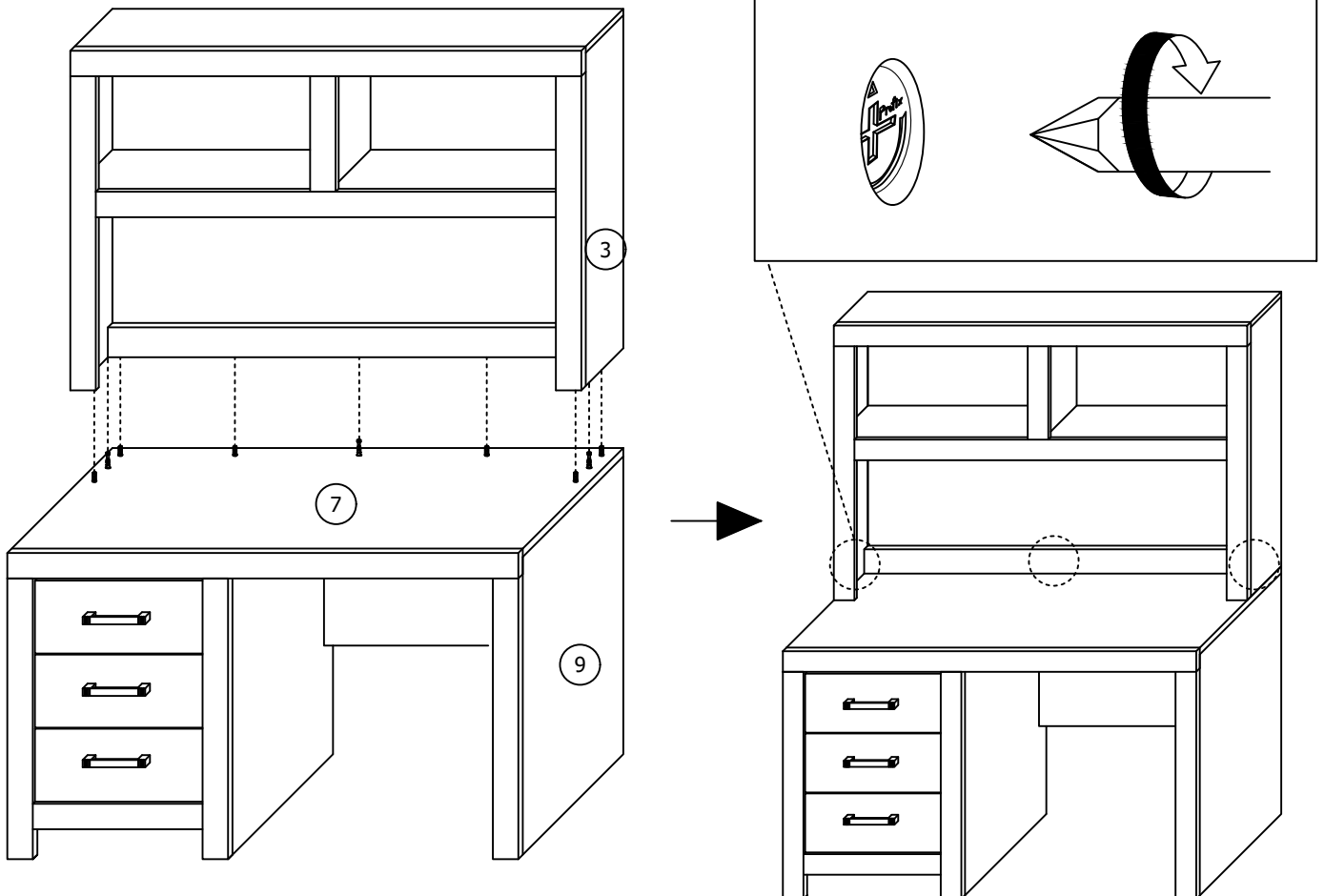


HUTCH AND DESK-LISBON ASSEMBLY INSTRUCTION

STEP 29

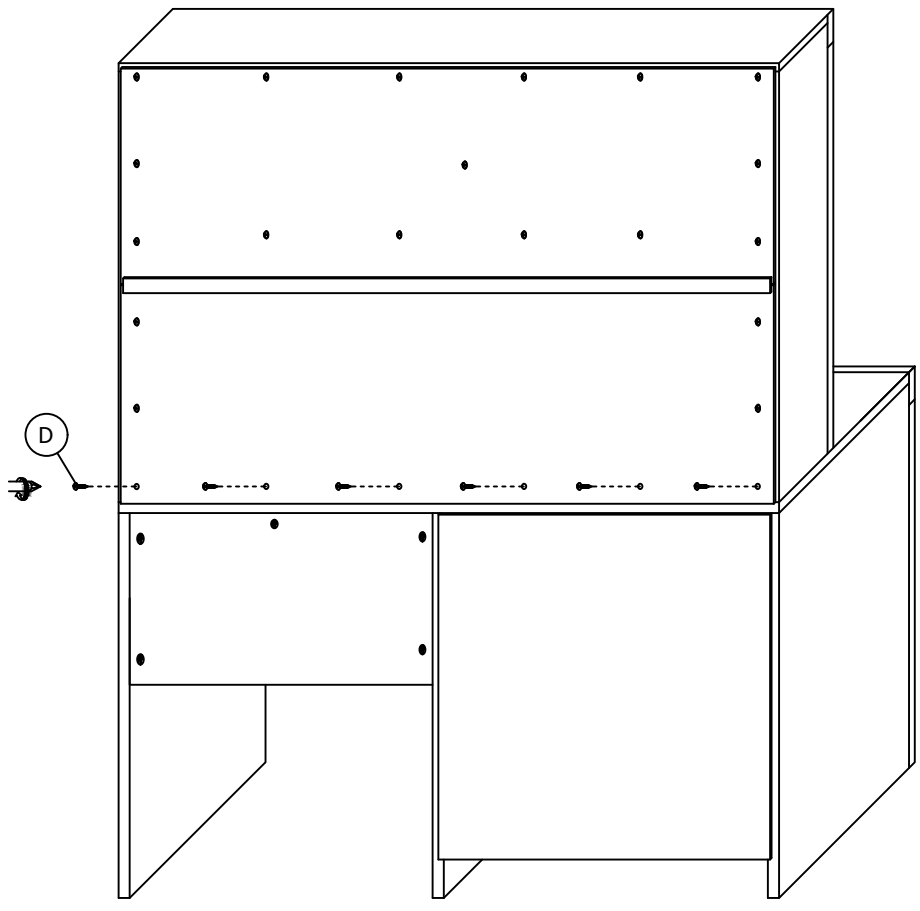


STEP 30

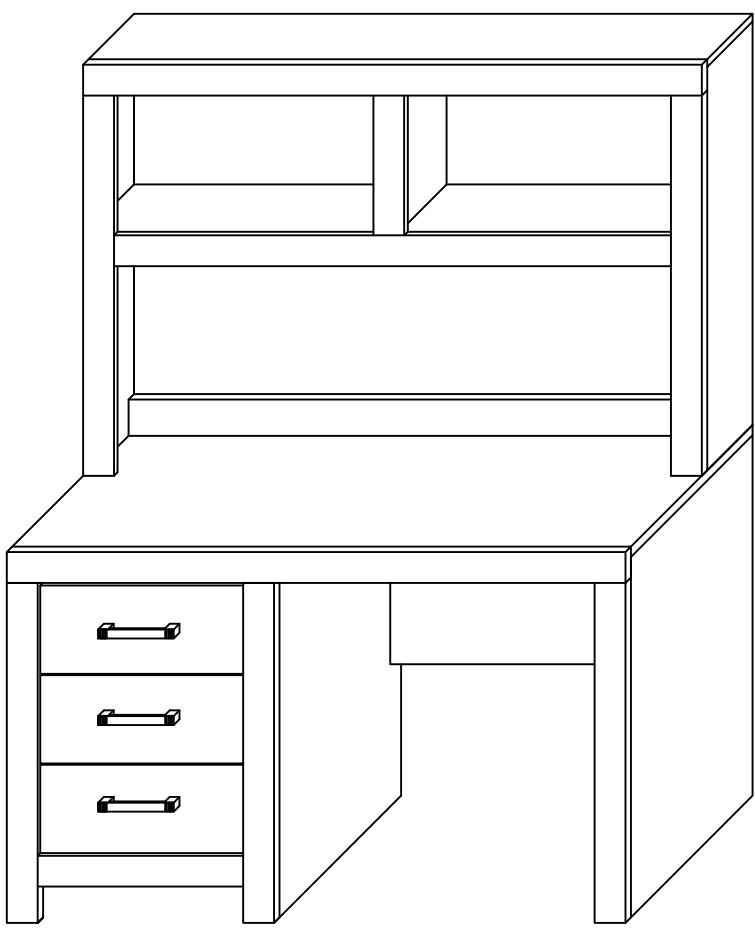


HUTCH AND DESK-LISBON ASSEMBLY INSTRUCTION

STEP 31



STEP 32



ASSEMBLY COMPLETED