

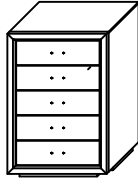
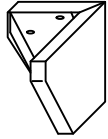
CH-LISBON ASSEMBLY INSTRUCTION

Thank you for purchasing this quality product. Be sure any small parts and hardware not for children under 3 years. Adult assembly required.


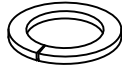
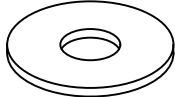

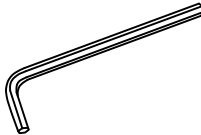
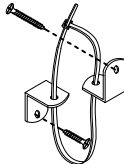
"DO NOT TIGHTEN SCREWS UNTIL COMPLETELY ASSEMBLED"

"DO NOT OVERTIGHT ANY HARDWARE"

PARTS LIST

ITEM	DESCRIPTION	DRAWING	QTY
1	CHEST		1 PC
2	LEG		4 PCS

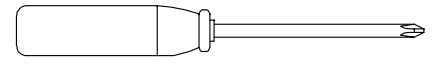
HARDWARE LIST

ITEM	DESCRIPTION	DRAWING	QTY
A	JCBC SCREW (M6 x 40mm)		4 PCS
B	SPRING WASHER (M6 x 13MM)		4 PCS
C	FLAT WASHER (M6 x 19MM)		4 PCS
D	WOOD DOWEL (M8 x 30MM)		4 PCS
E	ALLEN KEY (M4 x 65MM)		1 PC
F	TIPPING RESTRAINT		1 SET

CH-LISBON ASSEMBLY INSTRUCTION

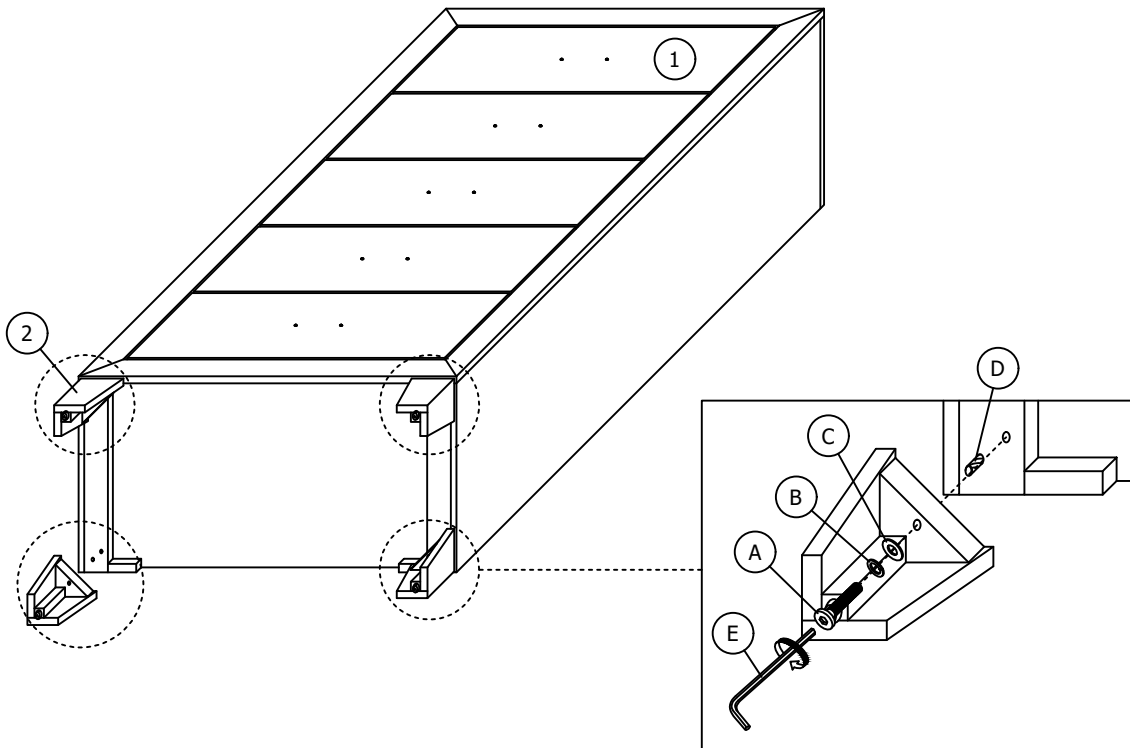
ASSEMBLY TOOLS REQUIRED

Screwdriver (not provide)



ASSEMBLY STEPS

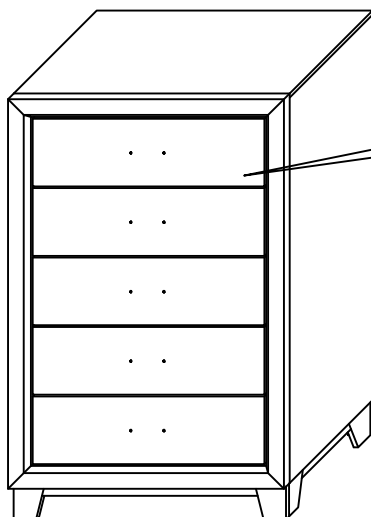
STEP 1



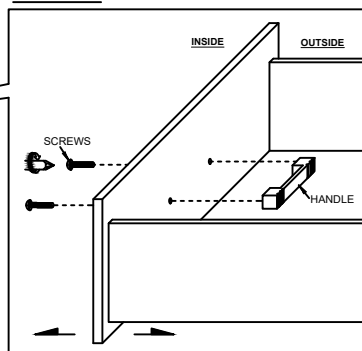
STEP 2

STEP 2.1: Turn loose all the handles and screws.

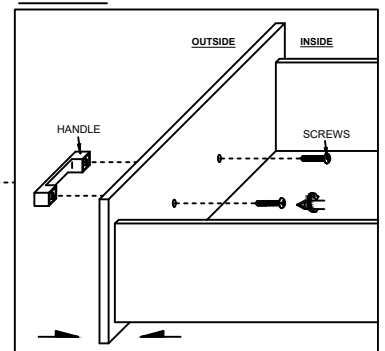
STEP 2.2: Exchange location of these items then tighten.



STEP 2.1

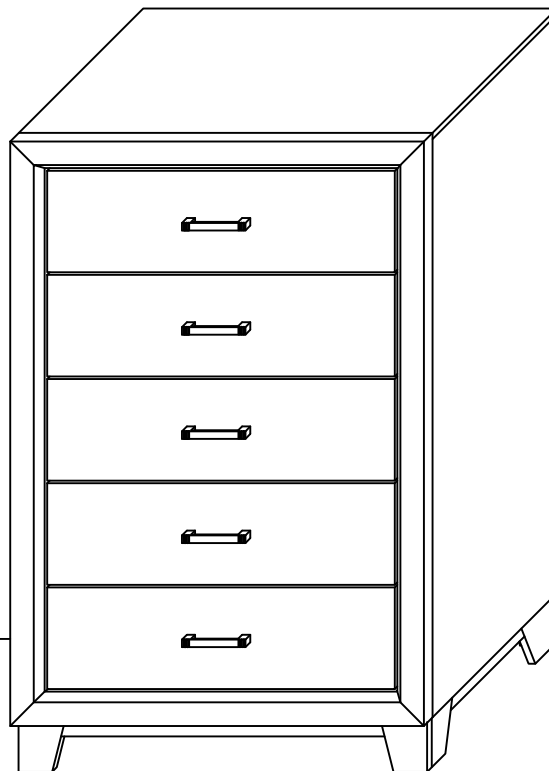
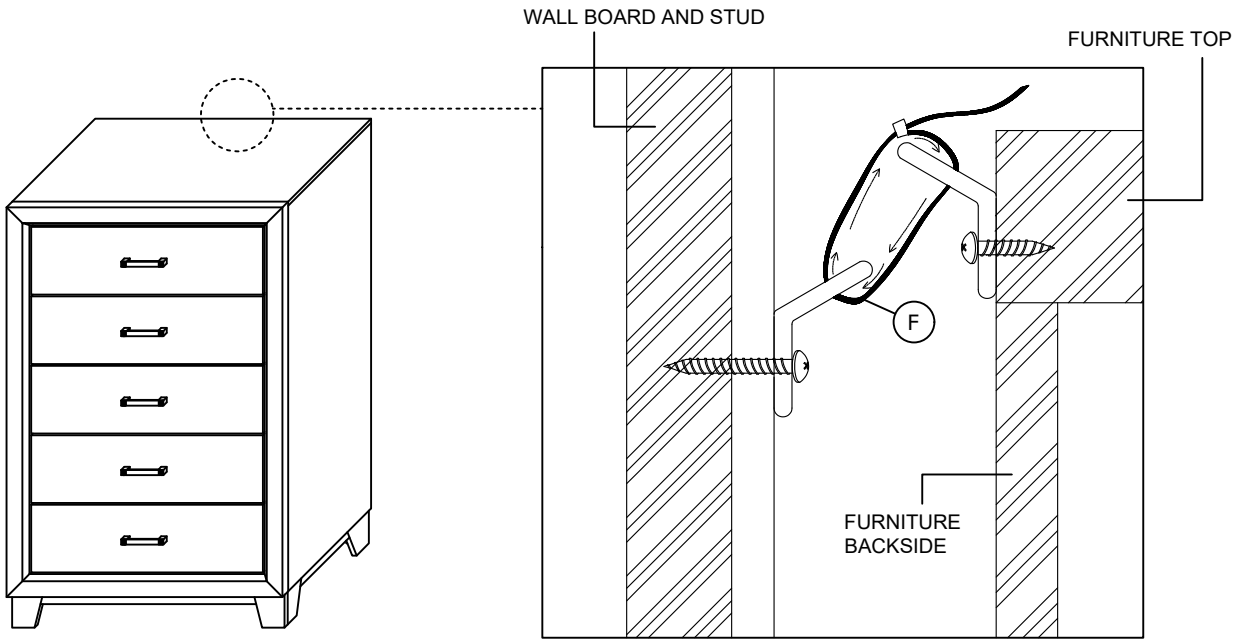


STEP 2.2



CH-LISBON ASSEMBLY INSTRUCTION

STEP 3



ASSEMBLY COMPLETED