

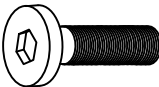
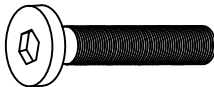
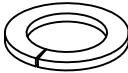
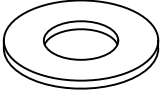

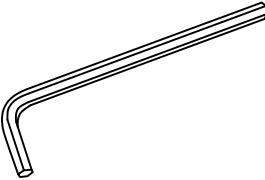
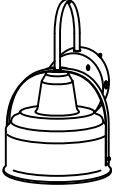
# LINWOOD-KB-N ASSEMBLY INSTRUCTION

Thank you for purchasing this quality product. Be sure any small parts and hardware not for children under 3 years. Adult assembly required.

**"DO NOT TIGHTEN SCREWS UNTIL COMPLETELY ASSEMBLED"**

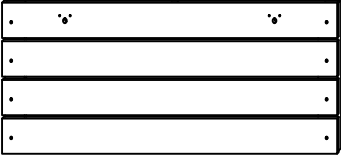
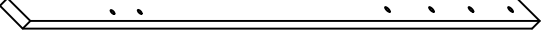
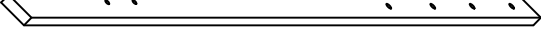
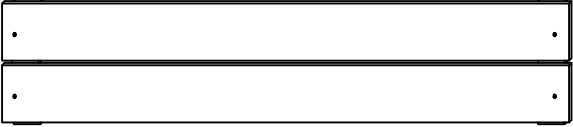

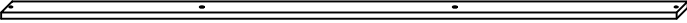

**"DO NOT OVERTIGHT ANY HARDWARE"**

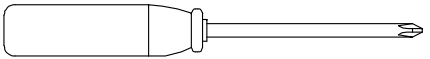
## HARDWARES LIST

ITEM	DESCRIPTION	DRAWING	QTY
A	JCBC SCREW M8 x 20MM		8 PCS
B	JCBC SCREW M8 x 40MM		8 PCS
C	SPRING WASHER M8 x 19MM		8 PCS
D	FLAT WASHER M8 x 22MM		8 PCS
E	CSK C/B SCREW (M4 x 32MM)		8 PCS
F	M5 ALLEN KEY (65MM)		1 PC
I	HEADBOARD LAMP		2 PCS

# LINWOOD-KB-N ASSEMBLY INSTRUCTION

## PARTS LIST

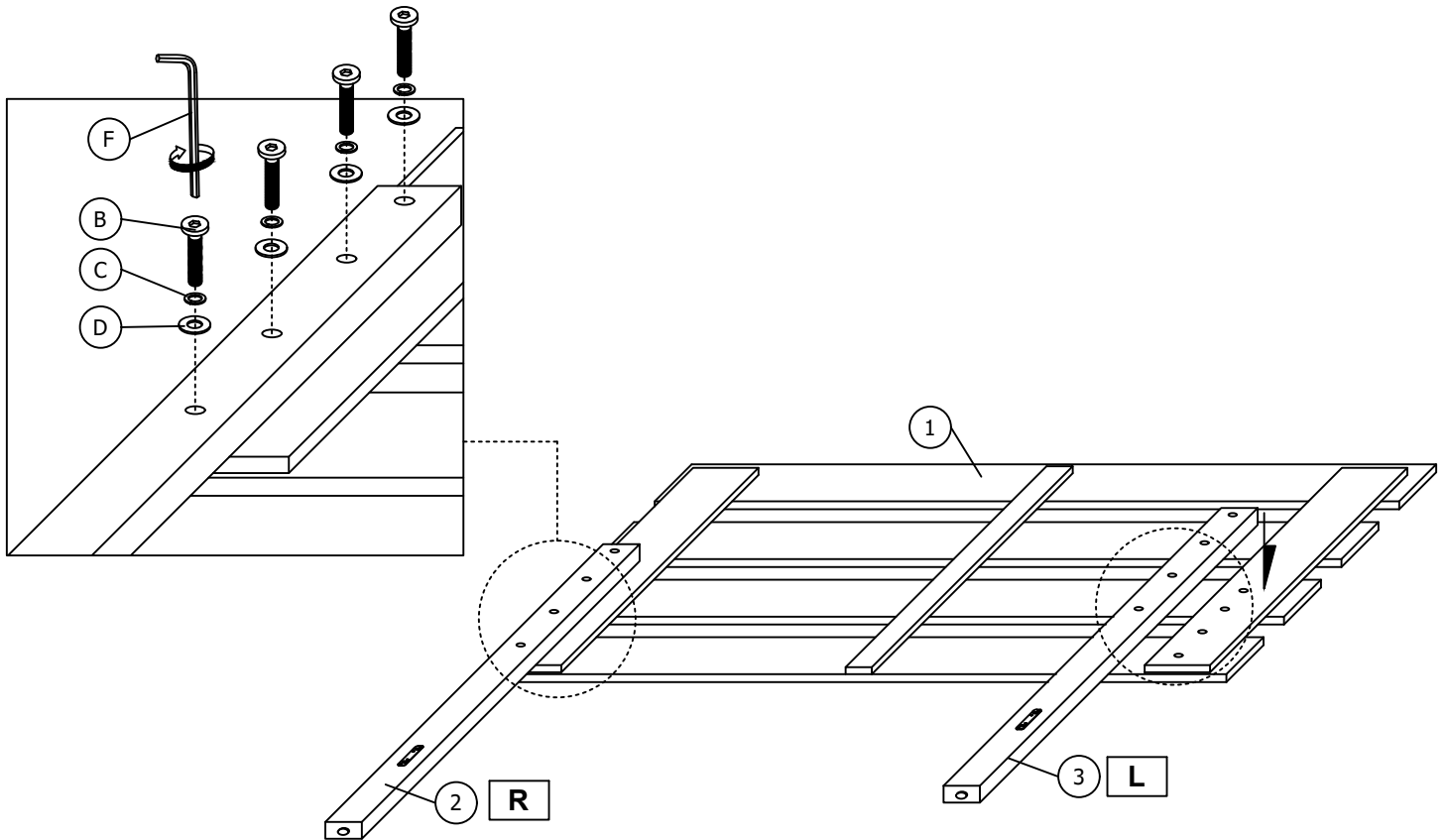
ITEM	DESCRIPTION	DRAWING	QTY
1	HEADBOARD		1 PC
2	HEADBOARD SUPPORT RAIL(R)		1 PC
3	HEADBOARD SUPPORT RAIL(L)		1 PC
4	FOOTBOARD		1 PC
5	SIDE RAIL		2 PCS
6	SLAT		4 PCS
7	CENTRE SUPPORT LEG		8 PCS

ASSEMBLY TOOLS REQUIRED
<b>Screwdriver (not provide)</b>


# LINWOOD-KB-N ASSEMBLY INSTRUCTION

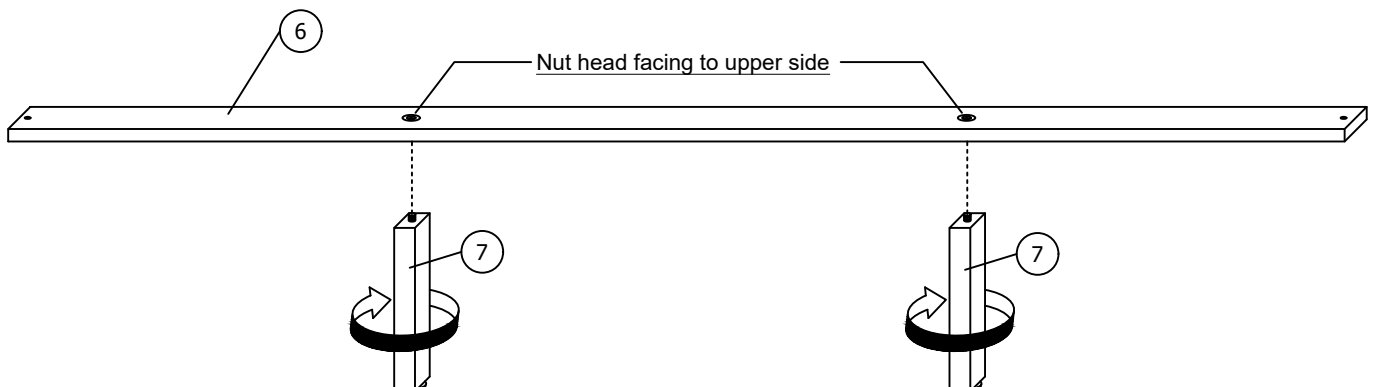
## ASSEMBLY STEPS

### STEP 1



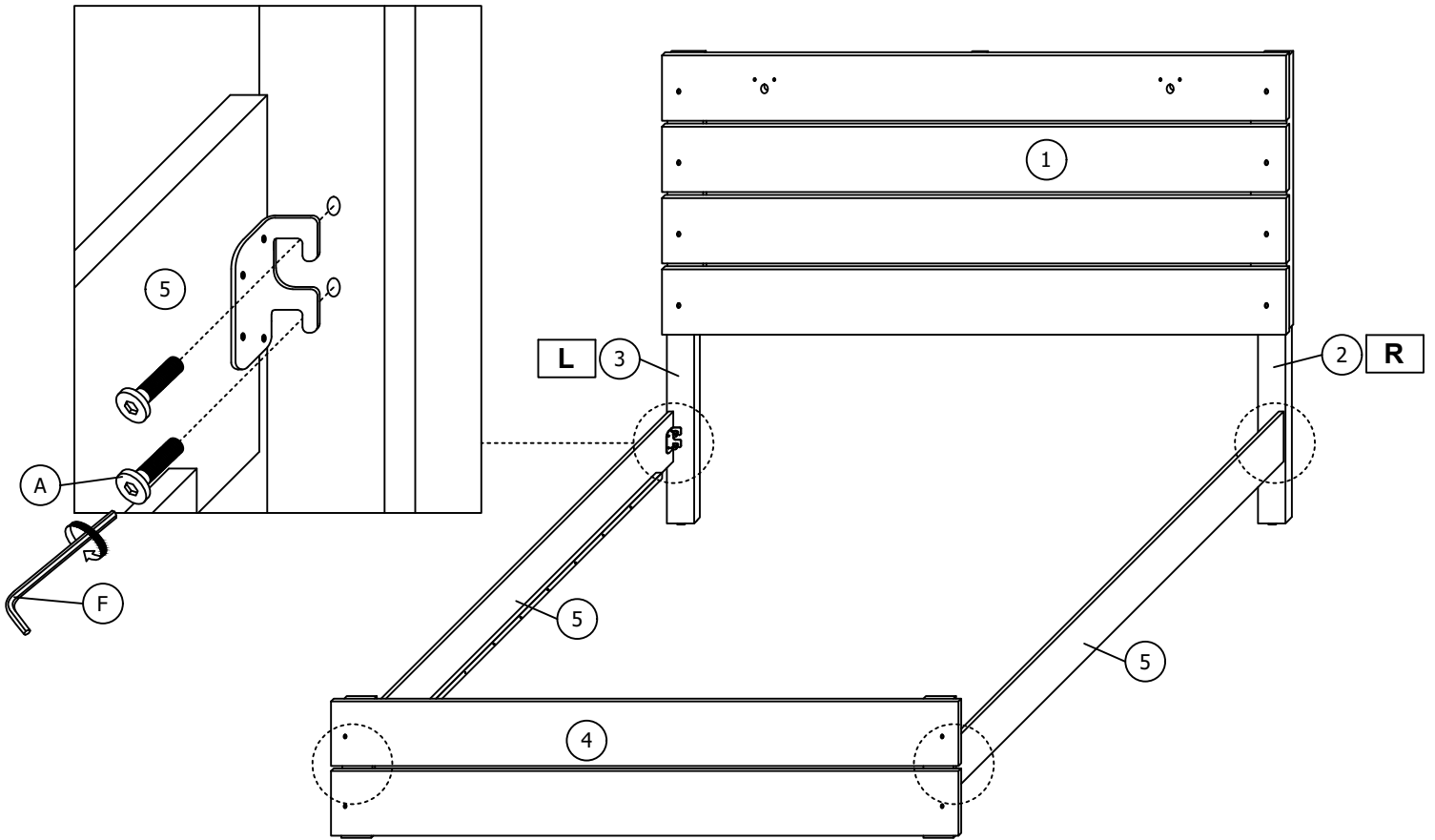
### STEP 2

X 4

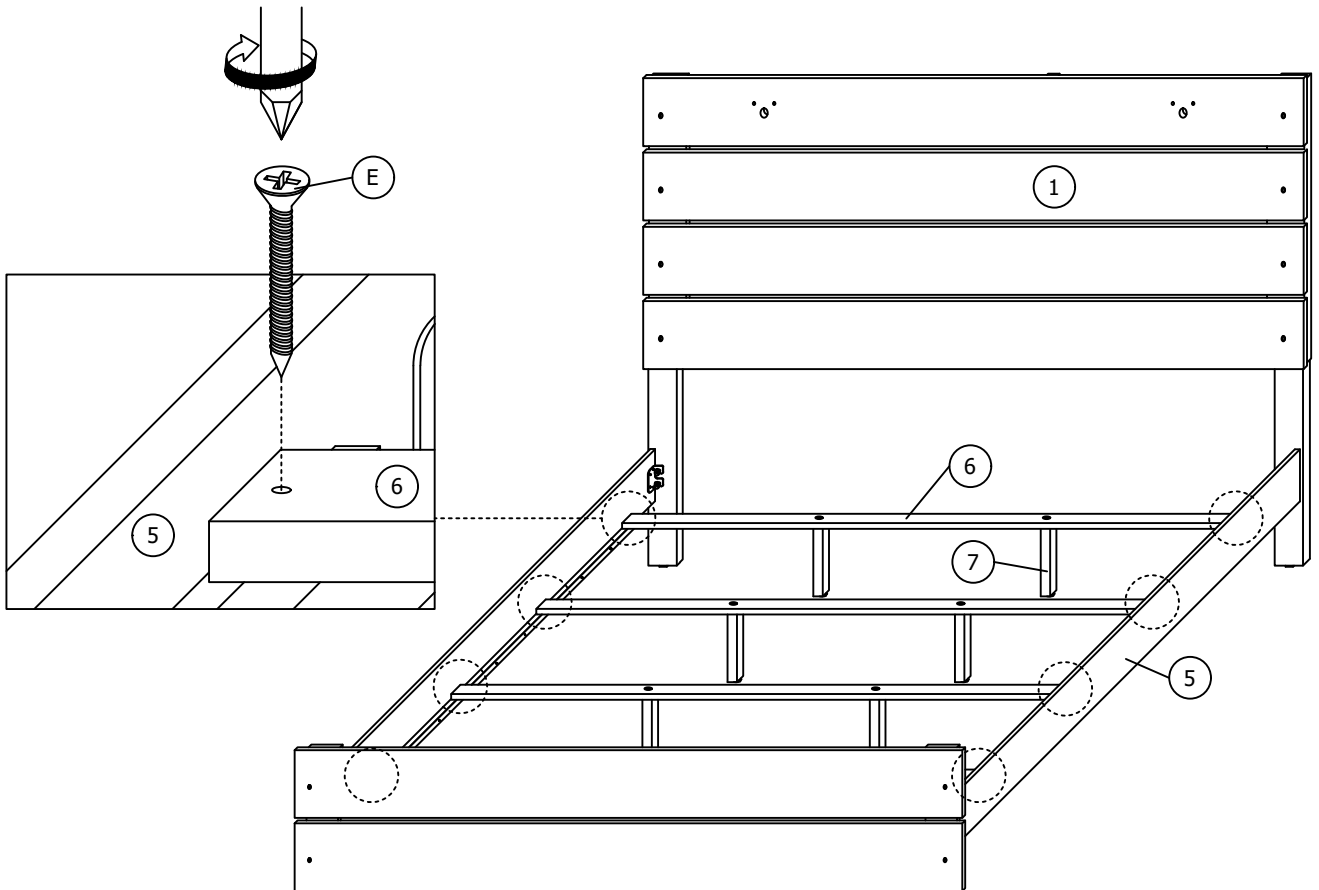


# LINWOOD-KB-N ASSEMBLY INSTRUCTION

## STEP 3



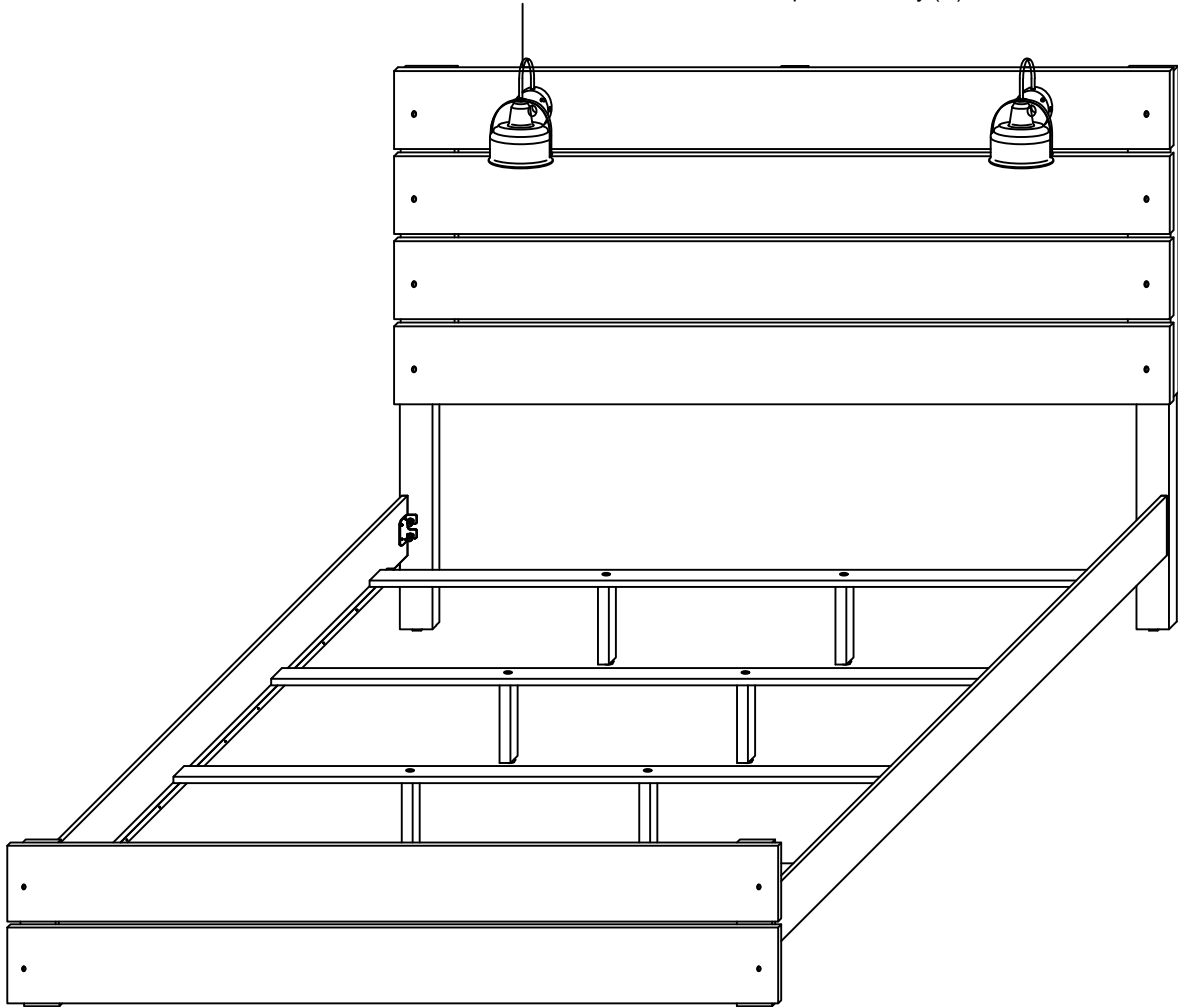
## STEP 4



# LINWOOD-KB-N ASSEMBLY INSTRUCTION

## STEP 5

Follow the instructions in the box of lamp to assembly (H)



**ASSEMBLY COMPLETED**