

ASSEMBLY INSTRUCTIONS


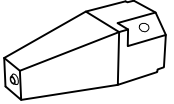
**MODEL : 0295A
NIGHT STAND**

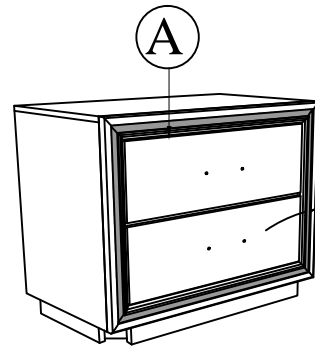
STEP 1 : Pull the drawer and take out the Bunfoot carton (B). Attach the Bunfoot (B) at the bottom Night Stand (A) used JCBC (1) with Spring Washer (2) Flat Washer (3) and tighten with Allen Wrench (4).

Remark : Turn the Night Stand to upright position as shown.

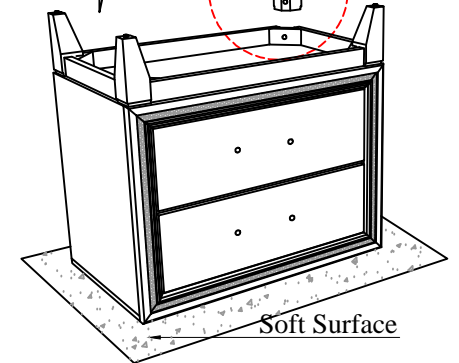
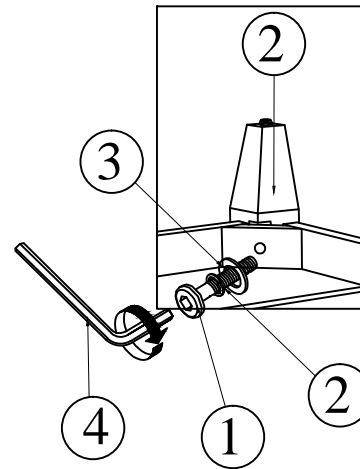
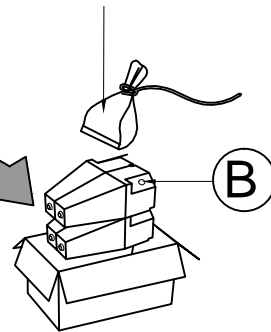
(BOX 1)

BOX OF NIGHT STAND

NO	ITEM	QTY
	NIGHT STAND	
A		1 pc
	BUN FOOT	
B		4 pcs






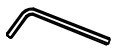
Hardware Pack



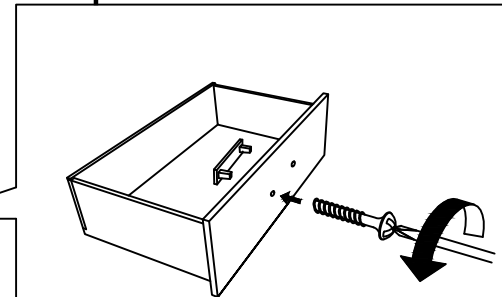
STEP 2 :

(BOX 1)

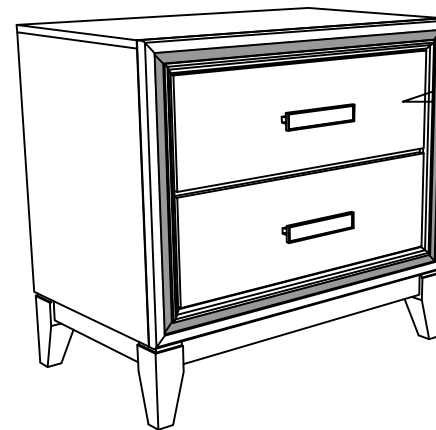
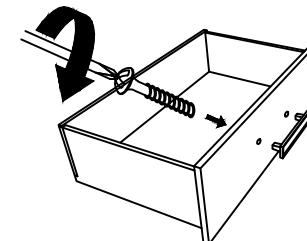
HARDWARE LIST

NO	ITEM	QTY
	JCBC M6 x 50mm	
1		4 pcs
	Spring Washer 1/4" Rbw	
2		4 pcs
	Flat Washer 1/4" ID x 19mm OD Bk	
3		4 pcs
	ALLEN KEY m4x65mm Bk	
4		1 pc

Step 2.1



Step 2.2



COMPLETED ASSEMBLY

NOTE : MUST TIGHTEN SCREWS **PERIODICALLY** WITH USE SCREW WILL BECOME LOOSE CHECK TIGHTNESS OF ALL SCREW EVERY 6-8 WEEKS.