

# ASSEMBLY INSTRUCTIONS

MODEL : 0060C  
DRESSER & MIRROR

(Box 1)  
BOX OF MIRROR

No	ITEM	Qty
A	MIRROR	1 pc

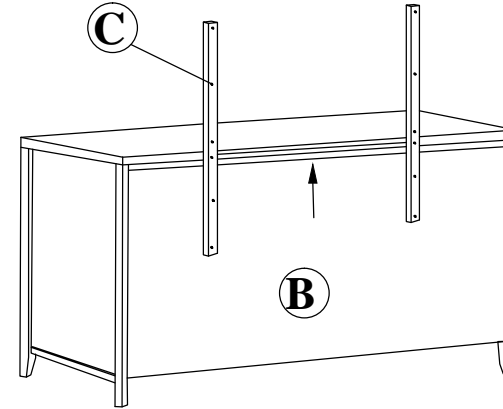
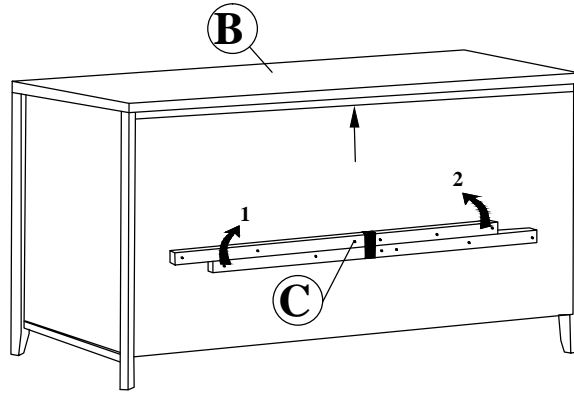
(Box 2)  
BOX OF DRESSER

No	ITEM	Qty
B	DRESSER	1 pc
C	MIRROR SUPPORT	2 pcs

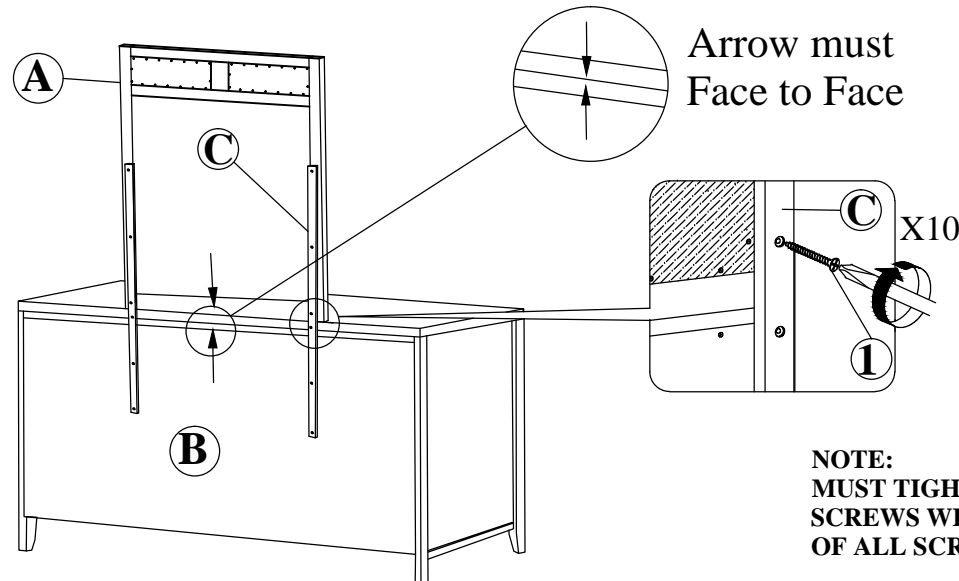
(Box 2)  
HARDWARE LIST

No	ITEM	Qty
1	CSK SCREW M4 x 32MM	10 pcs

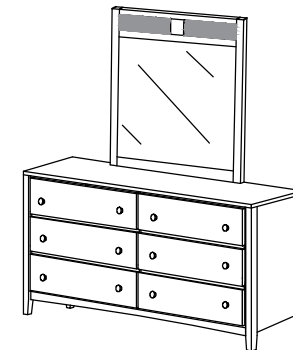
**STEP 1 :** Cut off the raffia string from the back of Dresser ( B ) and turn the Mirror Support ( C ) upward at the back of dresser ( B ),



**STEP 2 :** Place the Mirror ( A ) on the top of Dresser ( B ) as shown. And tighten with CSK Screw ( 1 )



**ASSEMBLY COMPLETE!!**



**NOTE:**  
MUST TIGHTEN SCREWS PERIODICALLY WITH USE SCREWS WILL BECOME LOOSE, CHECK TIGHTNESS OF ALL SCREW EVERY 6-8 WEEKS.

NOTE : MUST TIGHTEN SCREWS PERIODICALLY WITH USE SCREW WILL BECOME LOOSE CHECK TIGHTNESS OF ALL SCREW EVERY 6-8 WEEKS.