



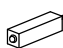


ASSEMBLY INSTRUCTIONS

MODEL : 0060C KING BED (4 + 8)


(Box 1)

BOX OF HEADBOARD & FOOTBOARD

No	ITEM	Qty
A	Headboard 	1 pc
B	Footboard 	1 pc
C	Headboard Leg (L/R) Nail Leg 	2 pcs
D	Bed Slat 	4 pcs
E	Bed Slat Support 	8 pcs




(Box 2)

BOX OF SIDE RAIL

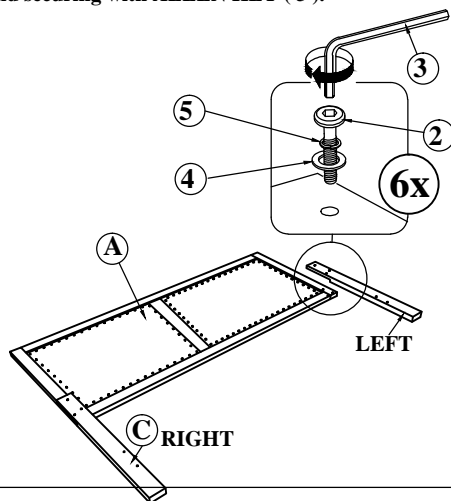
No	ITEM	Qty
F	Side Rail 	2 pcs

(Box 1)

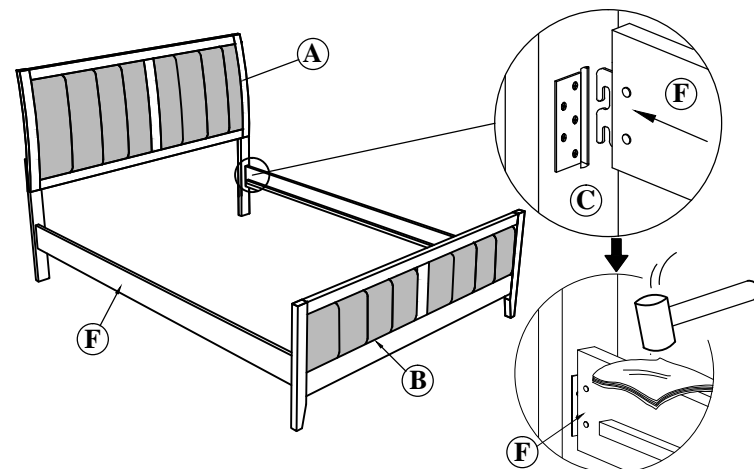
HARDWARE LIST

No	ITEM	Qty
1	Csk M4 x 32mm 	8 pcs
2	JCBC M6 x 35mm 	6 pcs
3	ALLEN KEY m4x65mm Blk 	1 pc
4	Flat Washer 1/4"ID x 13mmOD Blk 	6 pcs
5	SPRING WASHER M6 x 1/4 	6 pcs

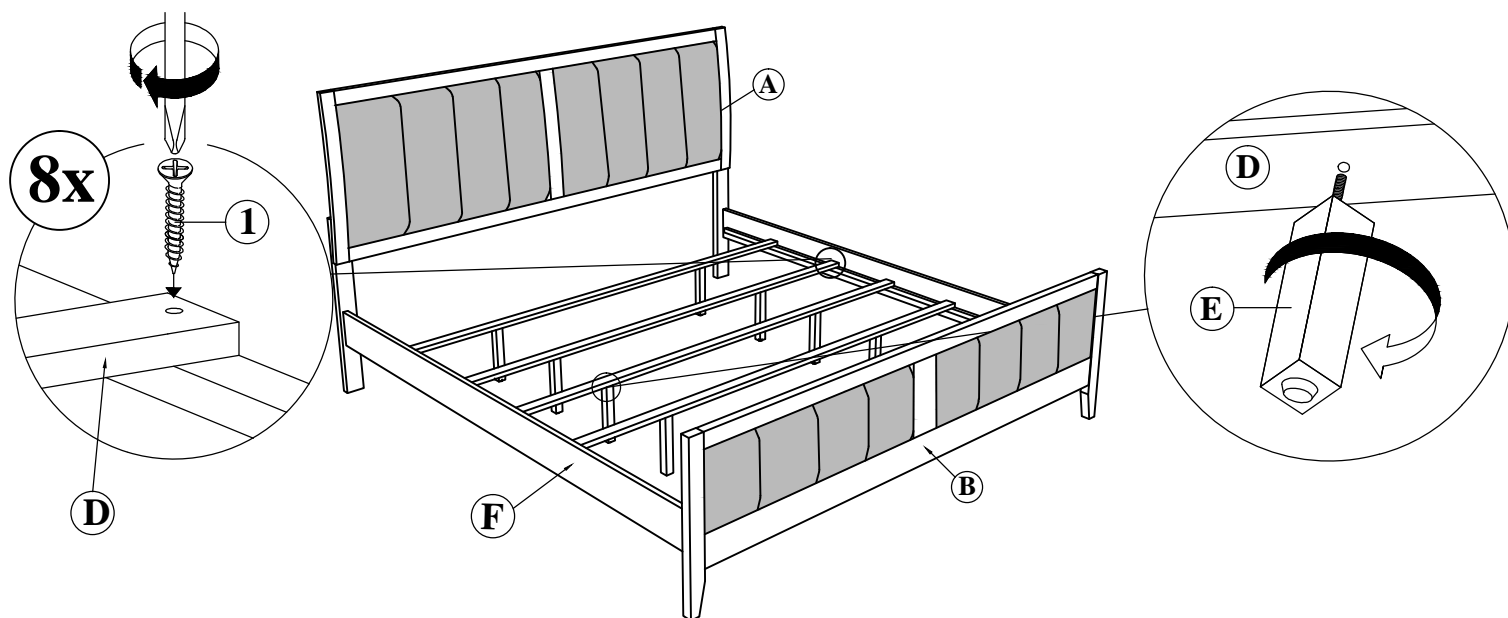
STEP 1 : Attach Head Board Leg (C) to Head Board (A) as shown using JCBC BOLT (2)with Spring Washer (5), Flat washer (4) and securing with ALLEN KEY (3).



STEP 2 : Hook SIDE RAIL (F) TO HEAD BOARD (A) closely and push down to fit. repeat step 2 with other end of rail to hook onto FOOTBOARD (B).



STEP 3 : Fix the Bed Slats Support (E) to Bed Slats (D) as Shown and fix the Bed Slats to Side Rail (F) by using CSK Screw (1). Loosen or Tighten the Adjuster as necessary to level the bed. Bed assembly should be done in final location to ensure stability.



NOTE : MUST TIGHTEN SCREWS PERIODCALLY WITH USE SCREW WILL BECOME LOOSE CHECK TIGHTNESS OF ALL SCREW EVERY 6-8 WEEKS.