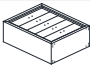



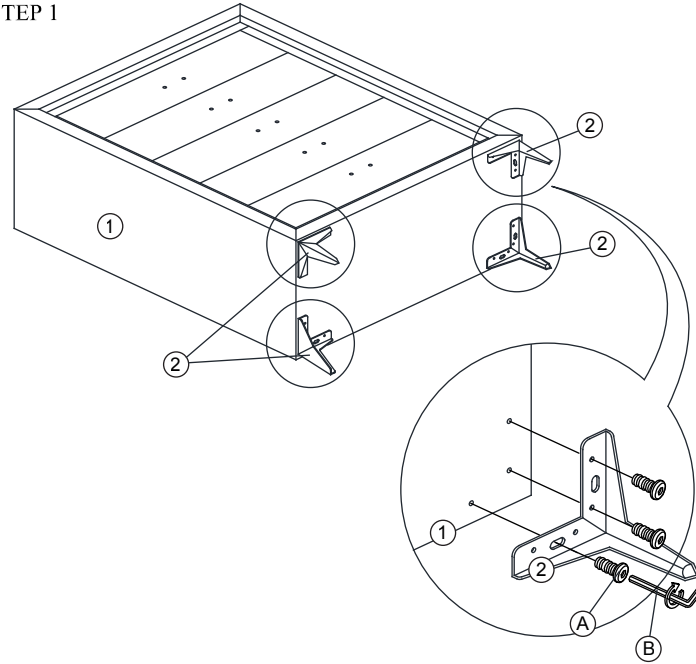


ASSEMBLY INSTRUCTION

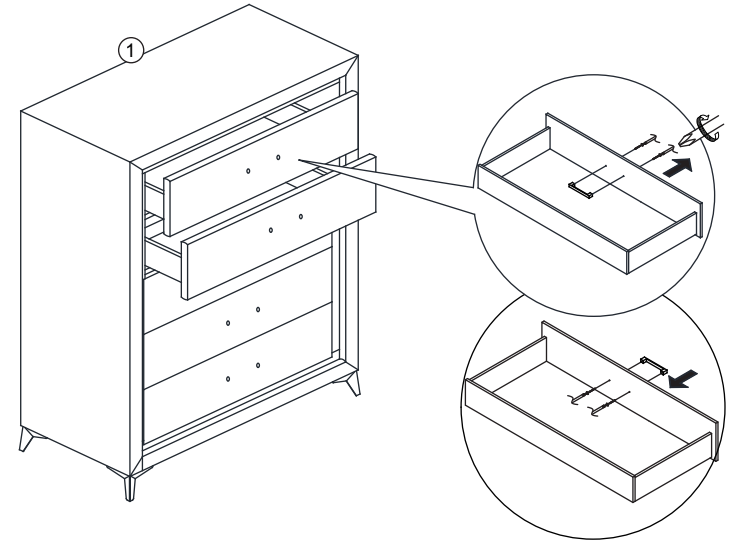
ITEM :

NO	PARTLIST	QTY
1	 CHEST	1PC
2	 LEG	4PCS
ITEM	HARDWARE	QTY
A	 JCBB SCREW M6 x 15MM	12PCS
B	 L-KEY M4 x 65MM	1PC

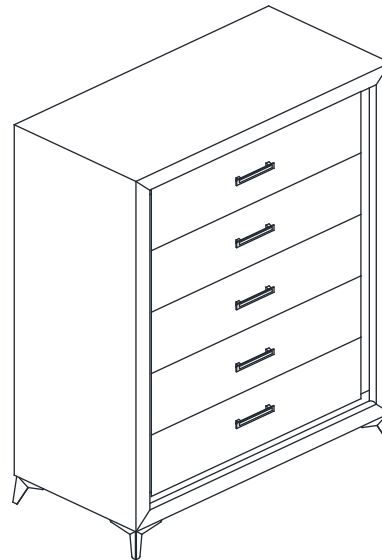
STEP 1



STEP 2



STEP 3



ASSEMBLY
COMPLETED