
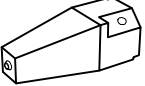


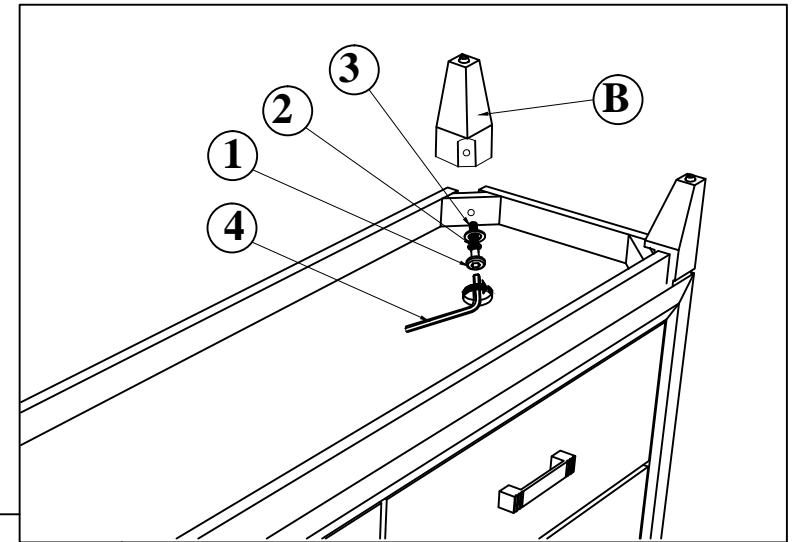
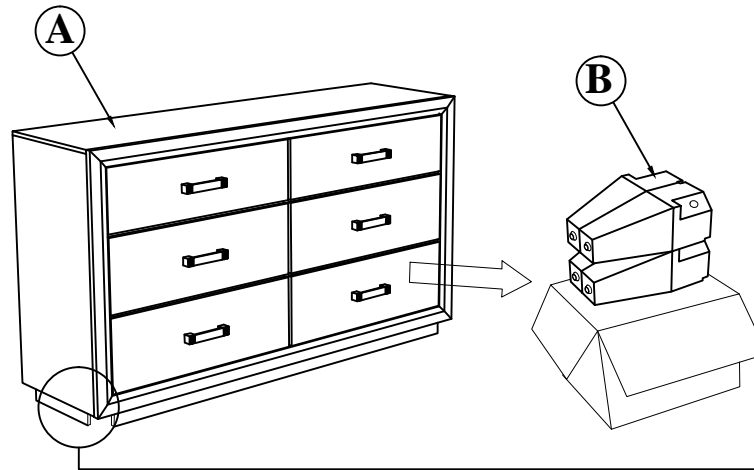
# ASSEMBLY INSTRUCTIONS

**MODEL :KATE  
DRESSER**




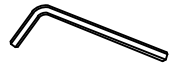
**STEP 1 :** Pull the top drawer and take out the Bunfoot carton ( B ). Attach the Bunfoot ( B ) at the bottom Dresser ( A ) used JCBC ( 1 ) with Spring Washer ( 2 ) Flat Washer ( 3 ) and Tighten with Allen Wrench ( 4 ).

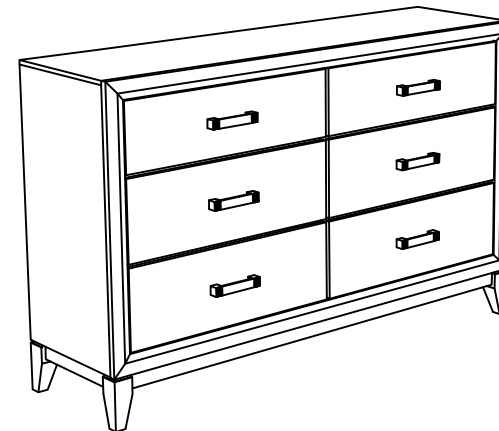
**(Box 1)**  
BOX OF CHEST

No	ITEM	Qty
A	DRESSER 	1 pc
B	BUN FOOT 	4 pcs



**(Box 1)**  
HARDWARE LIST

No	ITEM	Qty
1	JCBC M8 x 50mm 	4 pcs
2	SPRING WASHER 5/16" Rbw 	4 pcs
3	Flat Washer 5/16"ID x 22mmOD Blk 	4 pcs
4	ALLEN KEY m5x65mm Blk 	1 pc



**COMPLETED ASSEMBLY**

NOTE : MUST TIGHTEN SCREWS **PERIODICALLY** WITH USE SCREW WILL BECOME LOOSE CHECK TIGHTNESS OF ALL SCREW EVERY 6-8 WEEKS.