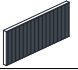


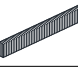







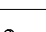





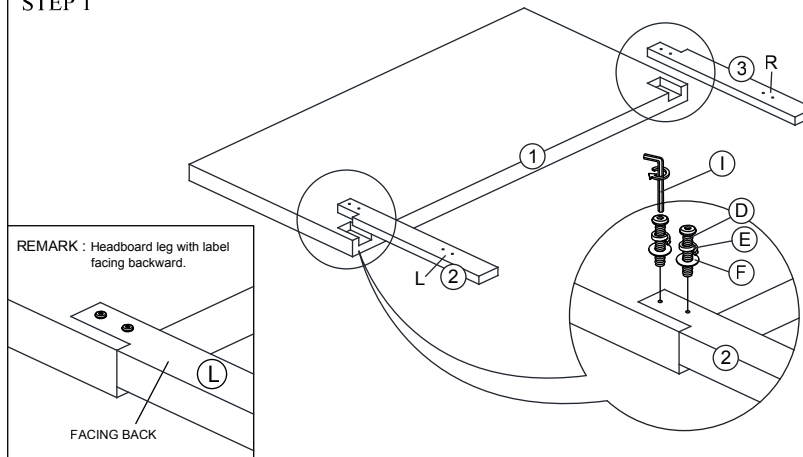


ASSEMBLY INSTRUCTION

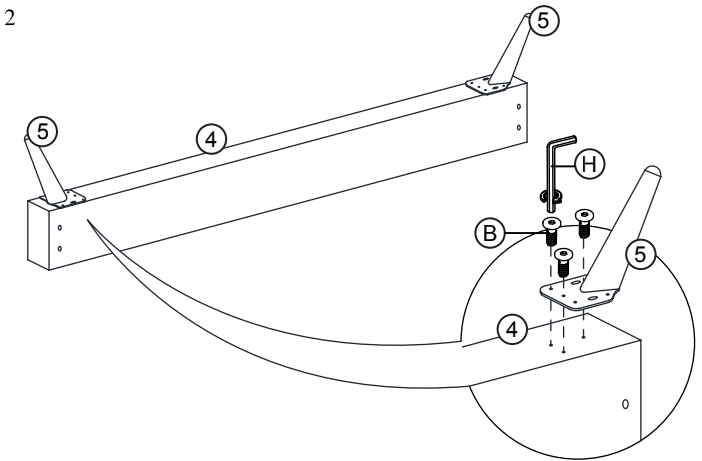
ITEM : ENZO / EVERETT-DARK GRAY-FB/QB

NO	PARTLIST	QTY
1	 HEADBOARD 1PC	1PC
2	 HEADBOARD LEG WITH LABEL "L" 1PC	1PC
3	 HEADBOARD LEG WITH LABEL "R" 1PC	1PC
4	 FOOTBOARD 1PC	1PC
5	 FOOTBOARD LEG 2PCS	2PCS
6	 SIDE RAIL 2PCS	2PCS
7	 SLAT 4PCS	4PCS
8	 SUPPORT LEG WITH ADJUSTABLE FEET 4PCS	4PCS
ITEM	HARDWARE	QTY
A	 JCBB SCREW M8 x 20MM 8PCS	8PCS
B	 JCBC SCREW M6 x 15MM 6PCS	6PCS
C	 JCBC SCREW M6 x 35MM 4PCS	4PCS
D	 JCBC SCREW M8 x 45MM 4PCS	4PCS
E	 SPRING WASHER M8 x 13MM 4PCS	4PCS
F	 FLAT WAHSER M8 x 22MM 4PCS	4PCS
G	 CSK SCREW M4 x 32MM 8PCS	8PCS
H	 L-KEY M4 x 100MM 1PC	1PC
I	 L-KEY M5 x 65MM 1PC	1PC

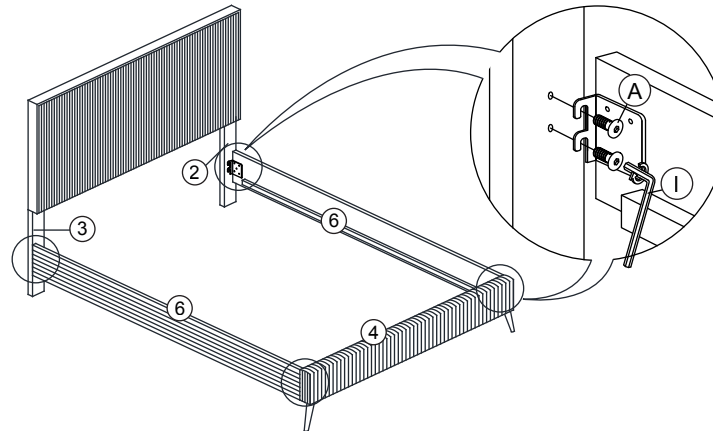
STEP 1



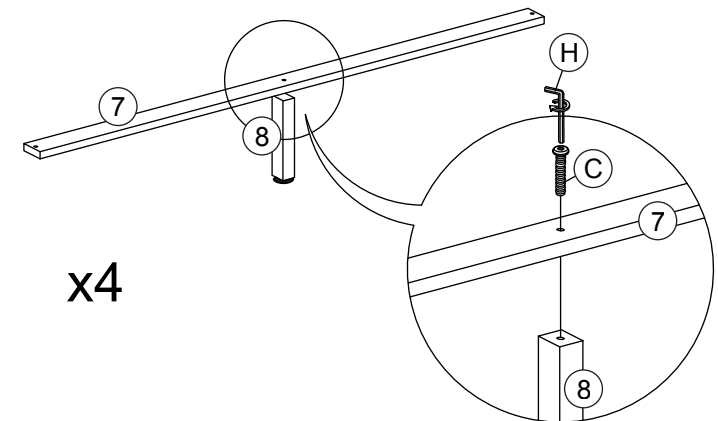
STEP 2



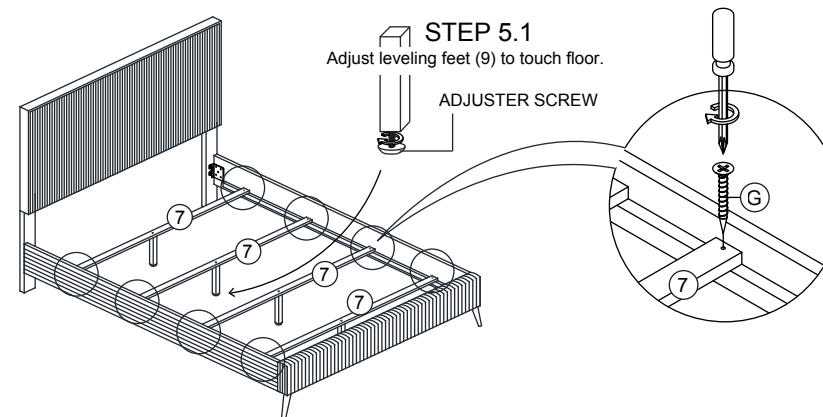
STEP 3



STEP 4



STEP 5



ASSEMBLY COMPLETED