

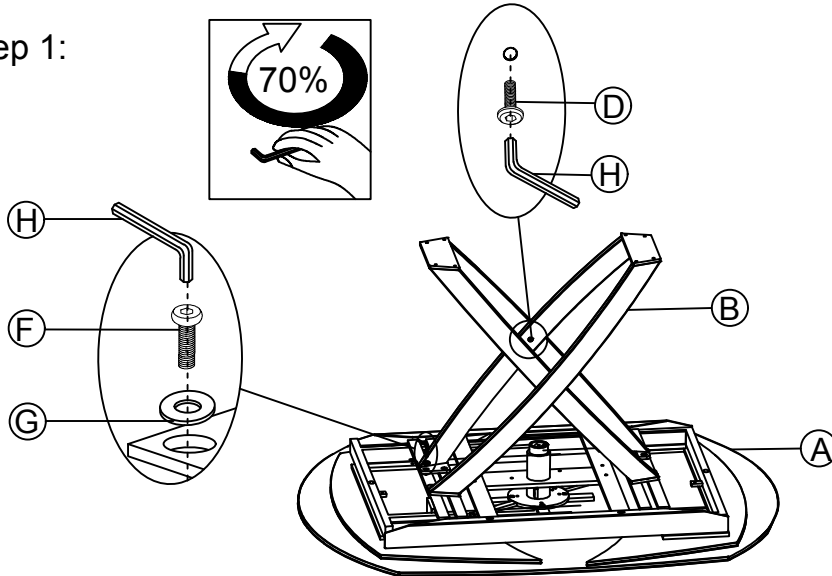
ASSEMBLY INSTRUCTION

Model : D93021DT

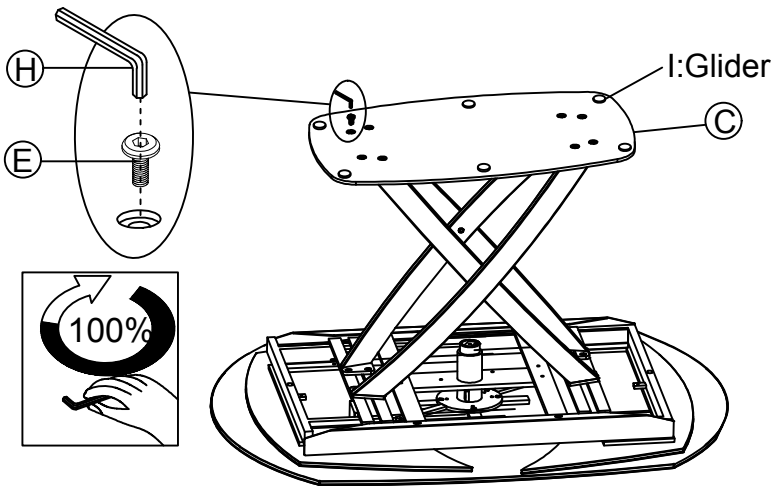
Description : DINING TABLE

Thank you for purchasing this quality product. Be sure to check all packing material carefully for small parts that may have come loose inside the carton during shipment.

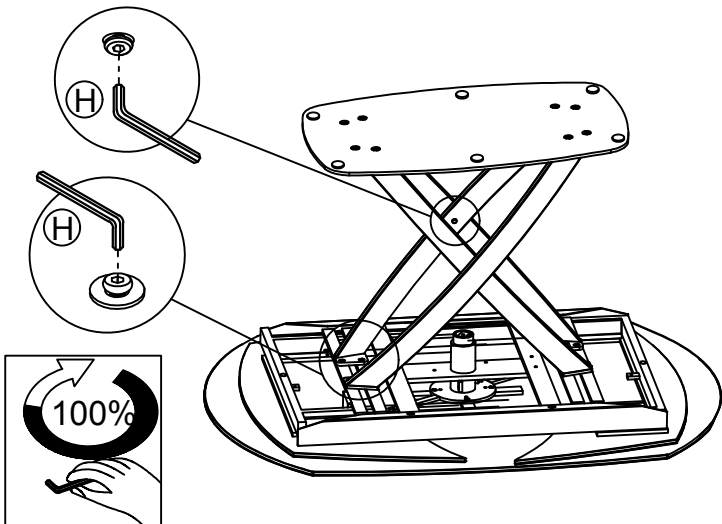
Step 1:



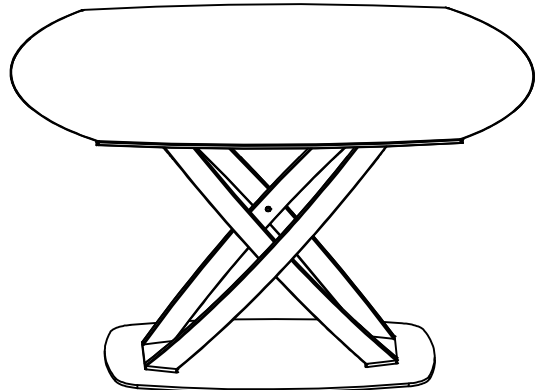
Step 2:



Step 3:



Finished:



PART LIST :

No.	Description	Diagram	Quantity
A	Table top		1
B	Table Column		2
C	Table base		1

HARDWARE LIST :

Located in carton 2 of 3 (D93021DT-Column)

No.	Description	Diagram	Size	Quantity
D	Bolt		M8 x 30mm	2
E	Bolt		M8 x 20mm	8
F	Bolt		M8 x 20mm	8
G	Flat washer		Ø17x8x2mm	8
H	Allen key		#5	1

PREFIX HARDWARE :

I	Glider		6
---	--------	--	---

Made In China

