

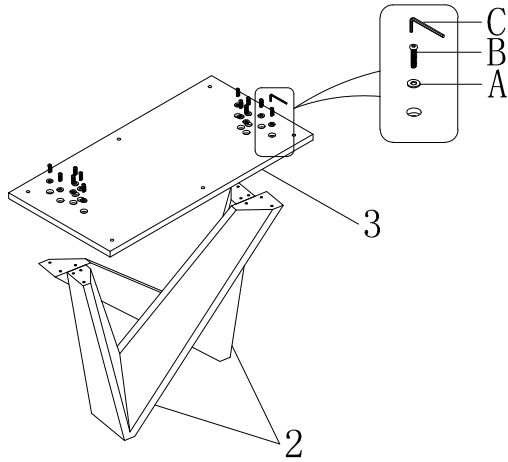
ASSEMBLY INSTRUCTION

Model:D844DT

Description:Dining Table

Thank you for purchasing this quality product. Be sure to check all packing material carefully for small parts that may have come loose inside the carton during shipment

Step 1:



PART LIST:

No.	Description	Diagram	Quantity
1	MDF top		1
2	MDF legs		2
3	Connection plate		1
4	Base		1

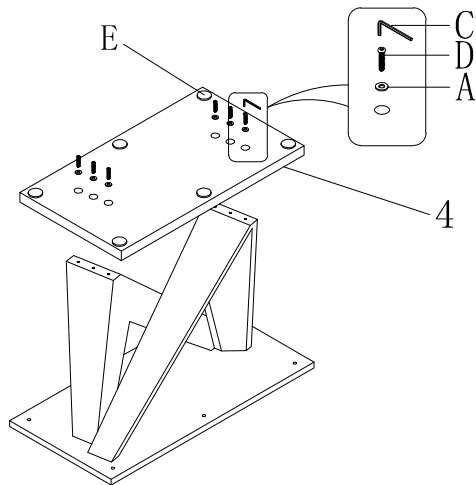
HARDWARE LIST:

No.	Description	Diagram	Size	Quantity
A	Flat washer		φ21*9mm	24
B	Bolt		M8*35mm	12
C	Allen key		M5	1
D	Bolt		M8*45mm	12

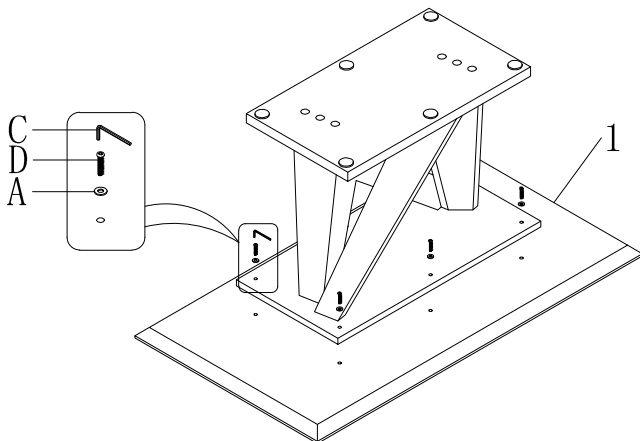
PREFIX HARDWARE LIST

E	CAPS		φ50*25mm	6
---	------	--	----------	---

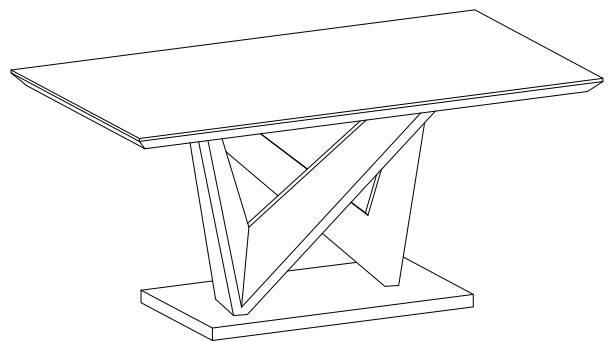
Step 2:



Step 3:



Finished



Made in China