

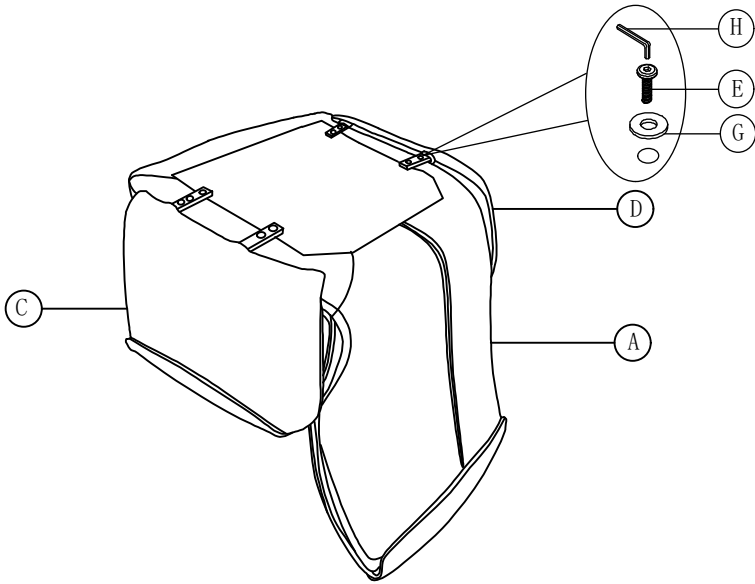
# ASSEMBLY INSTRUCTION

Model :D81216DC

Dining chair

Thank you for purchasing this quality product. Be sure to check all packing material carefully for small parts that may have come loose inside the carton during shipment

Step 1:



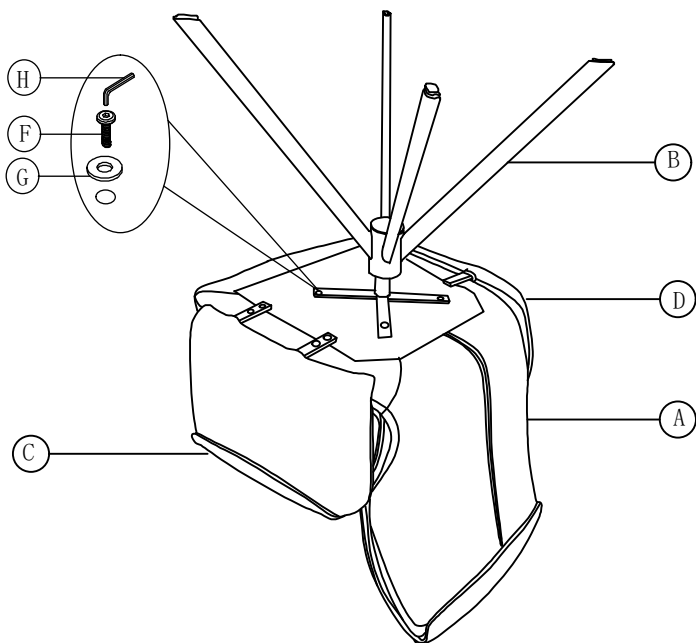
## PART LIST :

No.	Description	Diagram	Quantity
A	Legs		1
B	Seat		1
C	Backrest		1
D	Backrest		1

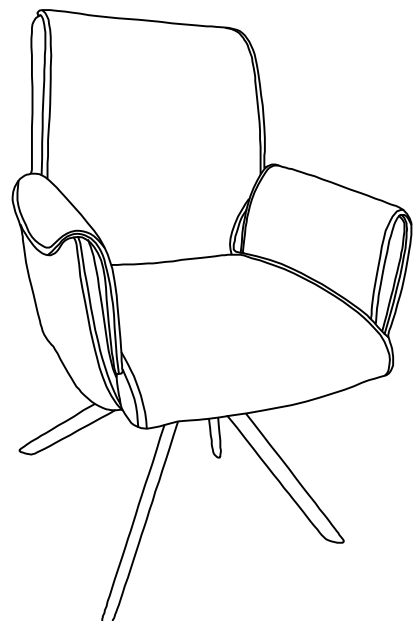
## HARDWARE LIST :

No.	Description	Diagram	Size	Quantity
E	Bolt		M8*25	8
F	Bolt		M6*20	4
G	Flat washer		Ø6*Ø16	12
H	Allen key		M4	1

Step 2:



Finished:



Made In China