

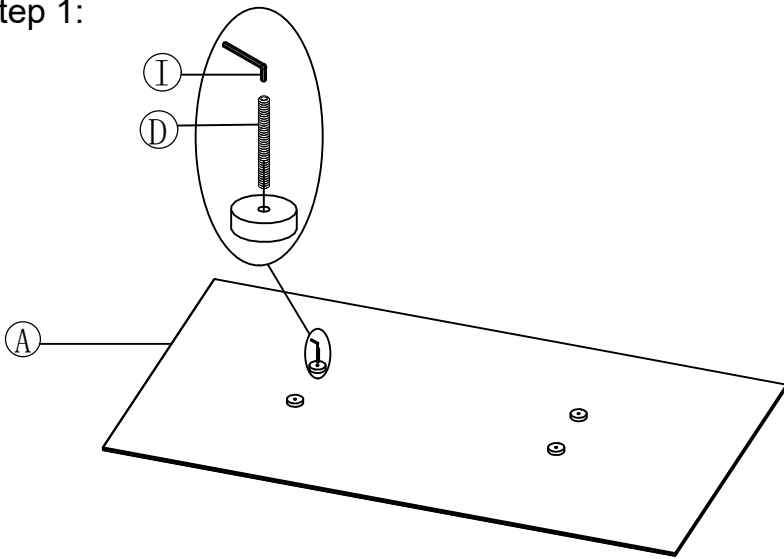
ASSEMBLY INSTRUCTION

Model :D80012DT

Description :DINING TABLE

Thank you for purchasing this quality product. Be sure to check all packing material carefully for small parts that may have come loose inside the carton during shipment.

Step 1:



PART LIST :

No.	Description	Diagram	Quantity
A	Table glass top		1
B	Table column		2
C	Frame hardware		1

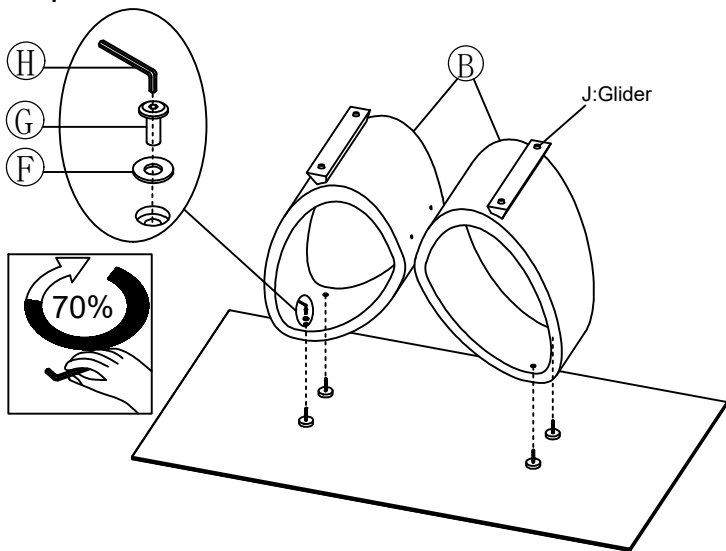
HARDWARE LIST : Located in carton 2 of 3(D80012DT-POLE)

No.	Description	Diagram	Size	Quantity
D	Stud		M8 x 30mm	4
E	Bolt		M8 x 20mm	4
F	Flat washer		Ø20xØ10x2mm	8
G	Nut		M8 x 25mm	4
H	Allen key		M5	1
I	Allen key		M4	1

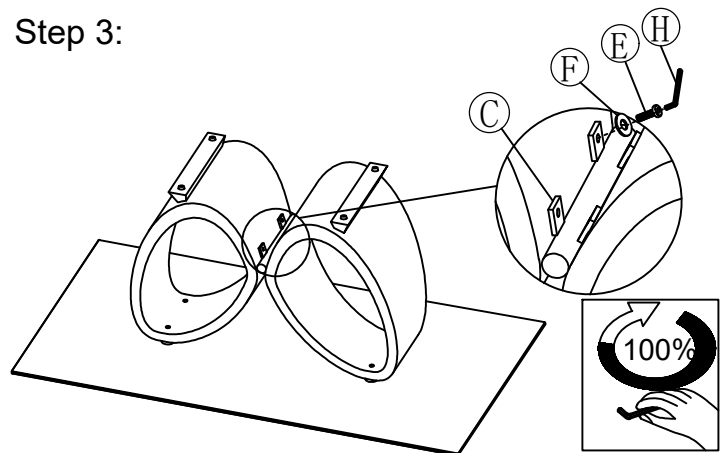
PREFIX HARDWARE :

J	Glider		4
---	--------	--	---

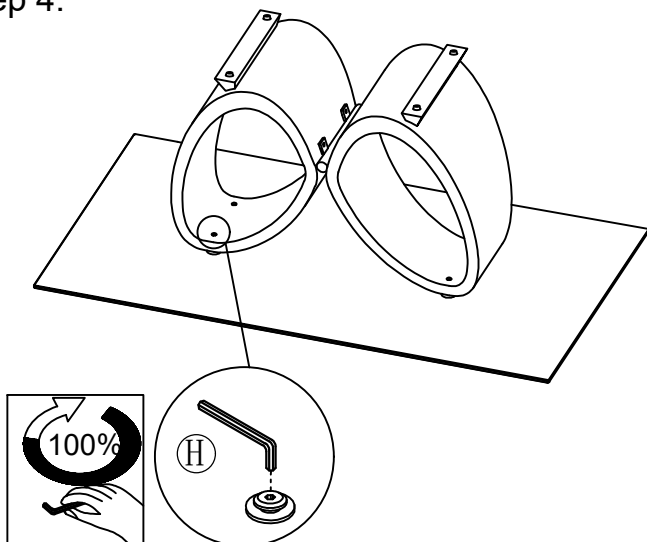
Step 2:



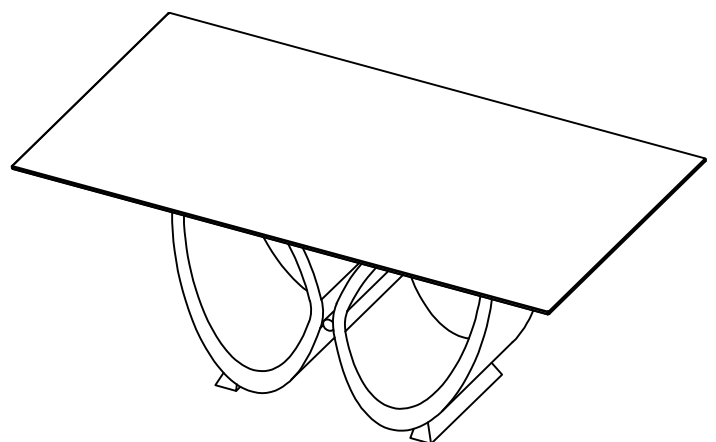
Step 3:



Step 4:



Finished



Made In China