

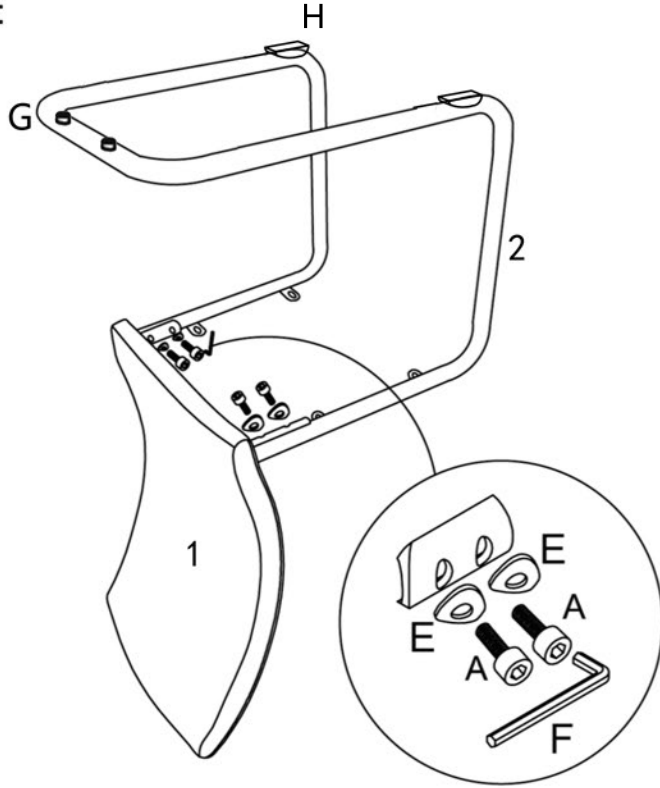
ASSEMBLY INSTRUCTION

Model:D4957DC

Description:Dining Chair

Thank you for purchasing this quality product.Be sure to check all packing material carefully for small parts that may have come loose inside the carton during shipment

Step 1:



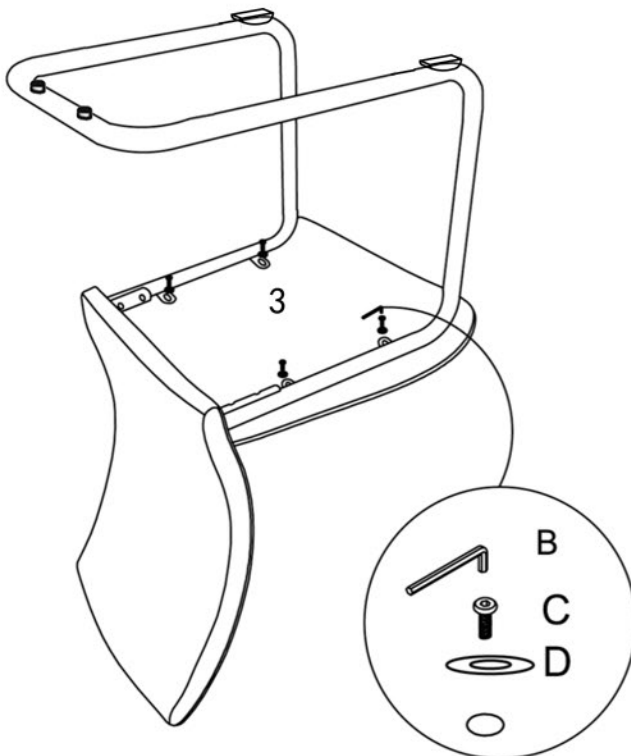
PART LIST:

No.	Description	Diagram	Quantity
1	BACK		1
2	METALE LEG		1
3	SEAT		1

HARDWARE LIST:

No.	Description	Diagram	Size	Quantity
A	Bolt		M8x20mm	4
B	Allen key		M5	1
C	Bolt		M6x18mm	4
D	Flat washer		6x18mm	4
E	Flat washer		8x22mm	4
F	Allen key		M6	1

Step 2:



PREFIX HARDWARE LIST:

G	Caps		2pcs
H	Caps		2pcs

Finished



Made in China