

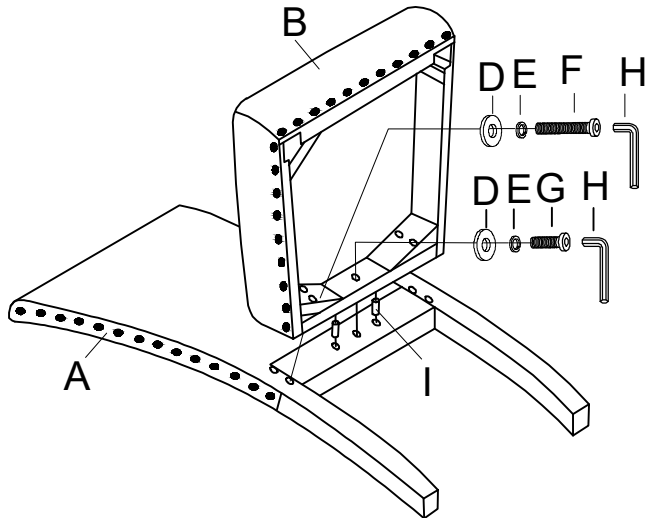
ASSEMBLY INSTRUCTION

Model: D1622DC

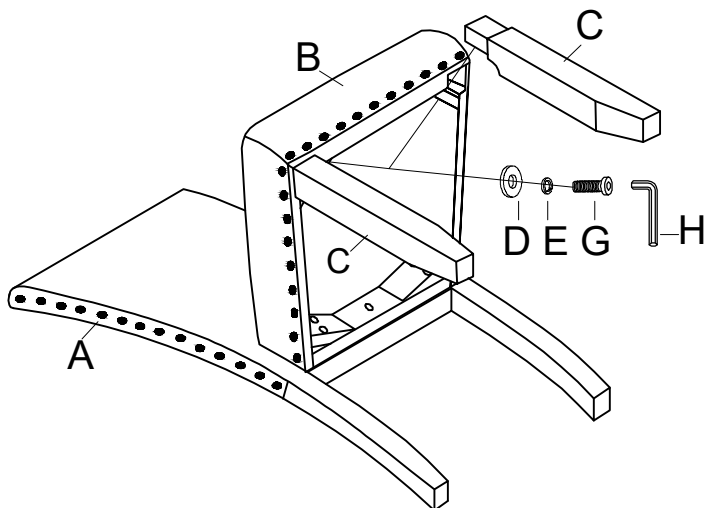
Description: DINING CHAIR (2/BOX)









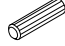
Thank you for purchasing this quality product. Be sure to check all packing material carefully for small parts that may have come loose inside the carton during shipment.

Step 1



Step 2



PARTS			
A		CHAIR BACK	1PC
B		SEAT	1PC
C		FRONT LEG	2PC
HARDWARE LIST			
D		ø5/16"*22mm	9PCS
E		ø5/16"	9PCS
F		ø5/16"*3-1/2"	4PCS
G		ø5/16"*2-1/4"	5PCS
H		M5	1PCS
I		Ø10 * 30mm	2PCS

Finished

