

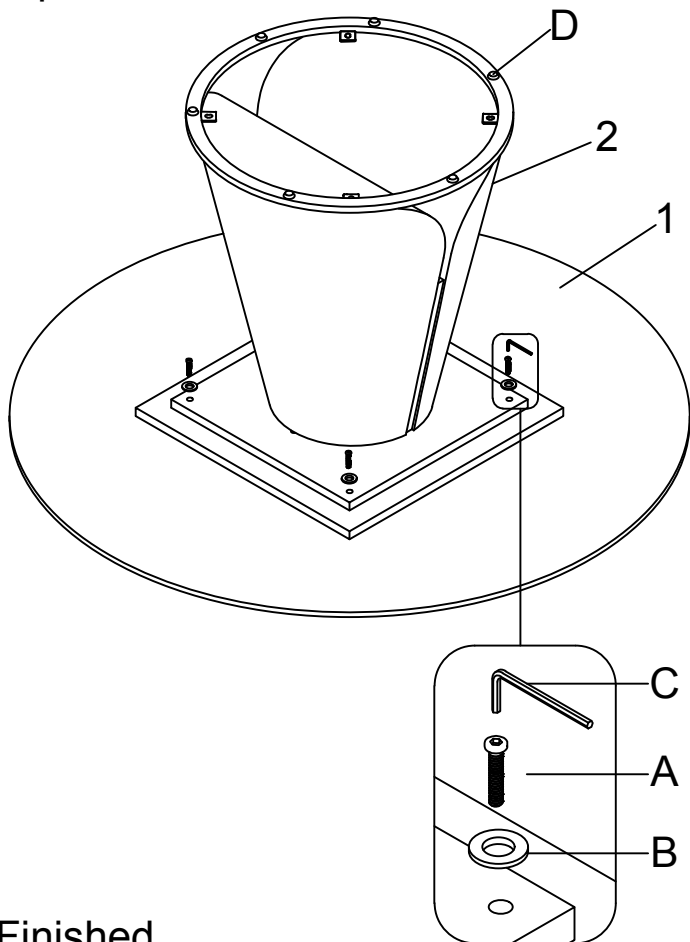
ASSEMBLY INSTRUCTION

Model: D1464DT

Description: DINING TABLE

Thank you for purchasing this quality product. Be sure to check all packing material carefully for small parts that may have come loose inside the carton during shipment

Step 1:



Finished



PART LIST:

No.	Description	Diagram	Quantity
1	GLASS TOP		1
2	LEG		1

HARDWARE LIST: located in carton 2 of 2 (D1464DT-FR)

No.	Description	Diagram	Size	Quantity
A	Bolt		M8×40mm	4
B	Flat washer		Ø22×1.5mm	4
C	Allen key		M5	1

PREFIX HARDWARE LIST

D	CAPS		ø22*16mm	6
---	------	--	----------	---

Made in China