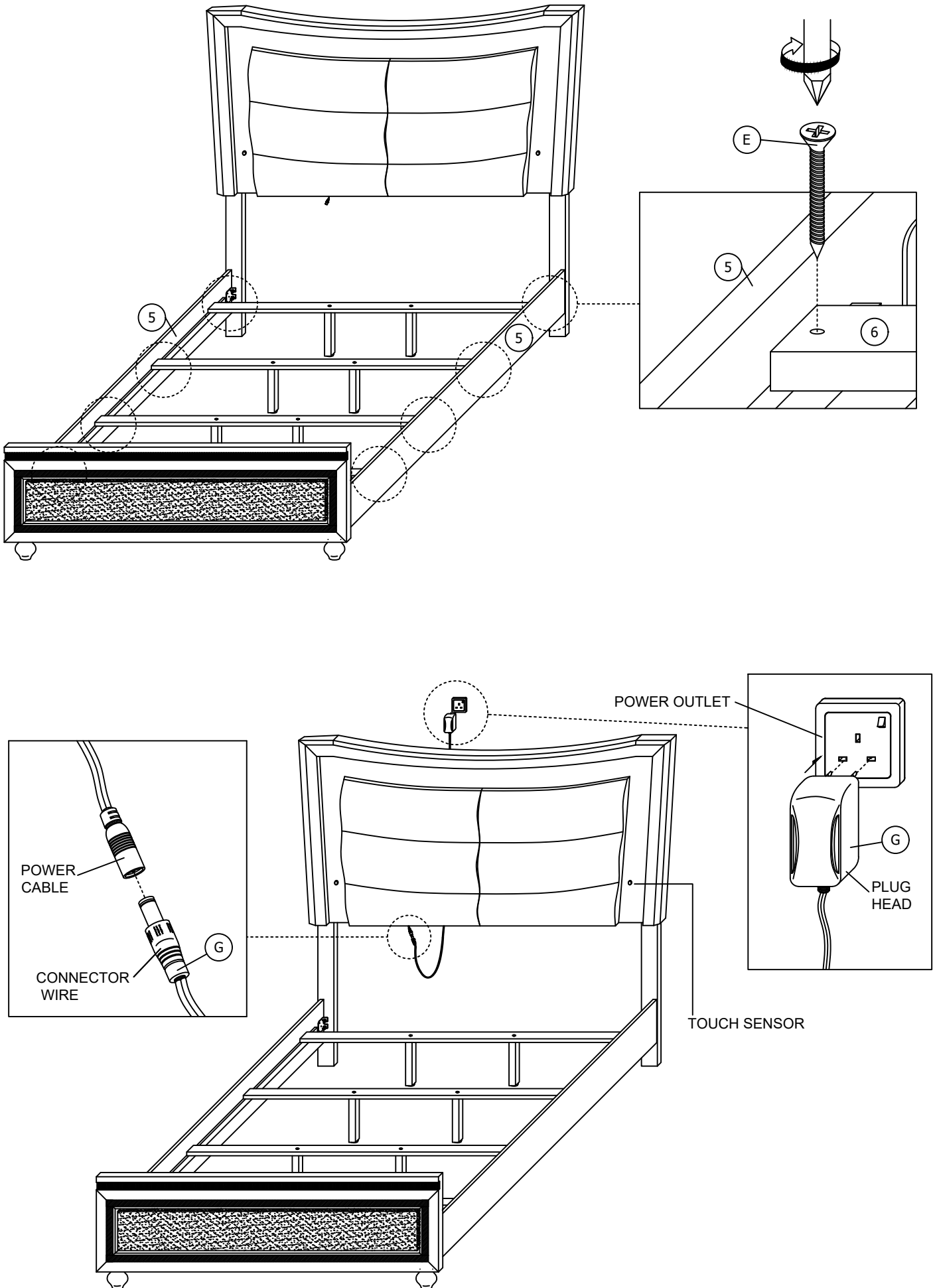


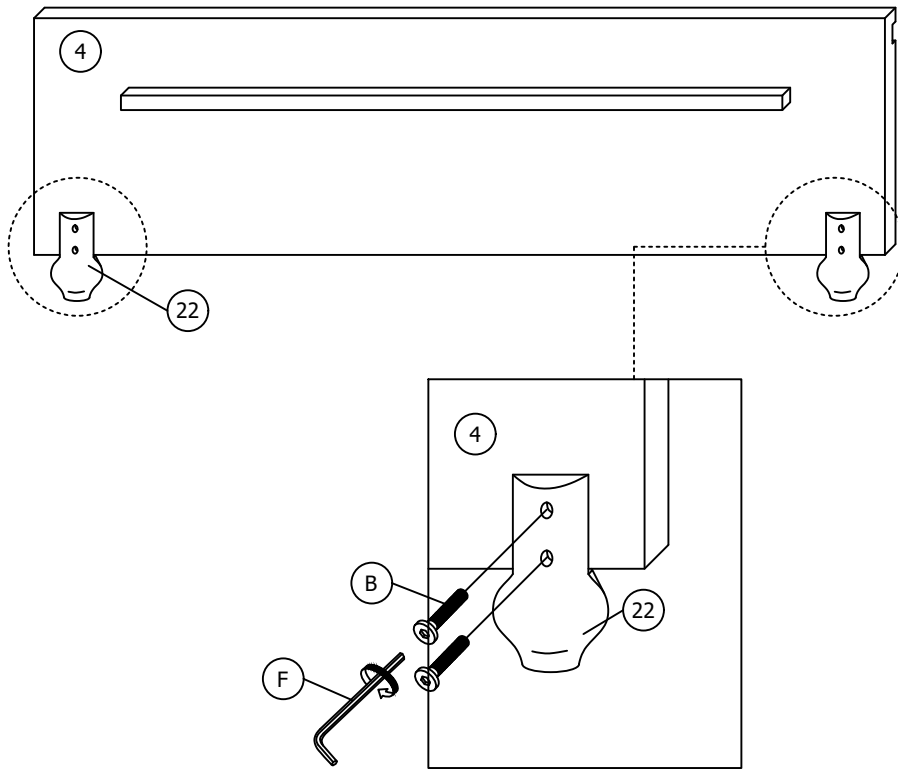
COLLETE-WHITE-KB ASSEMBLY INSTRUCTION

STEP 5

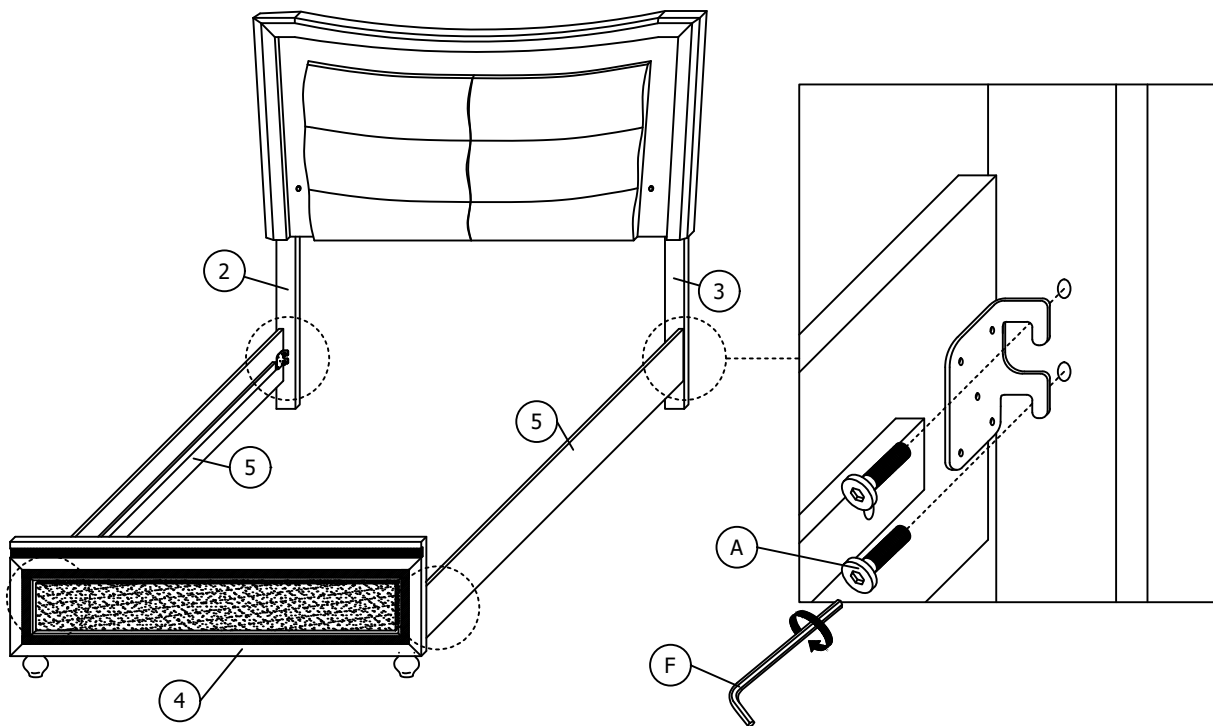


COLLETE-WHITE-KB ASSEMBLY INSTRUCTION

STEP 3



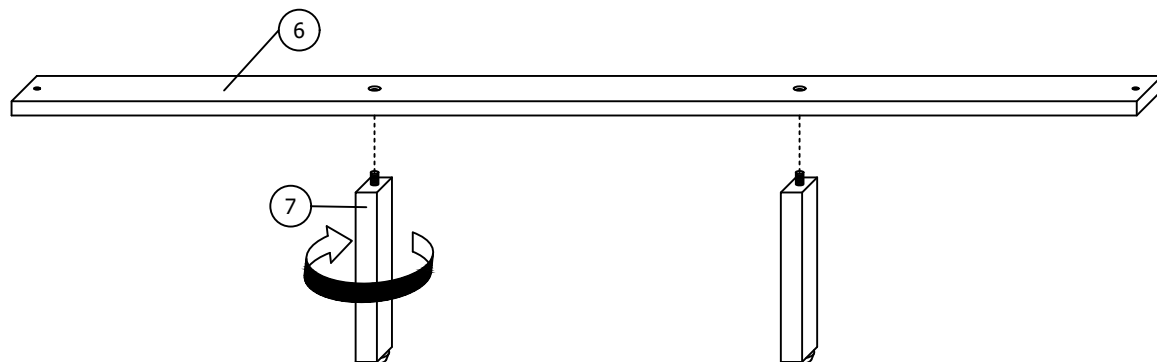
STEP 4



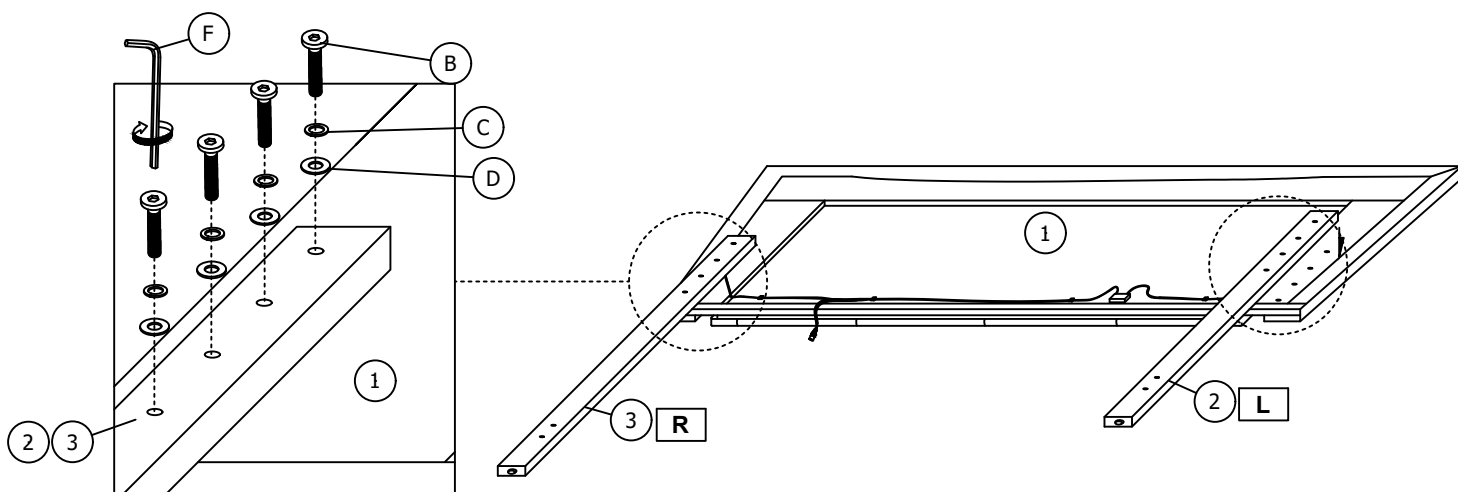
COLLETE-WHITE-KB ASSEMBLY INSTRUCTION

STEP 1

x 4

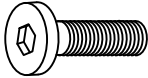
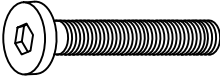
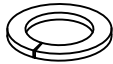
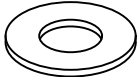





STEP 2



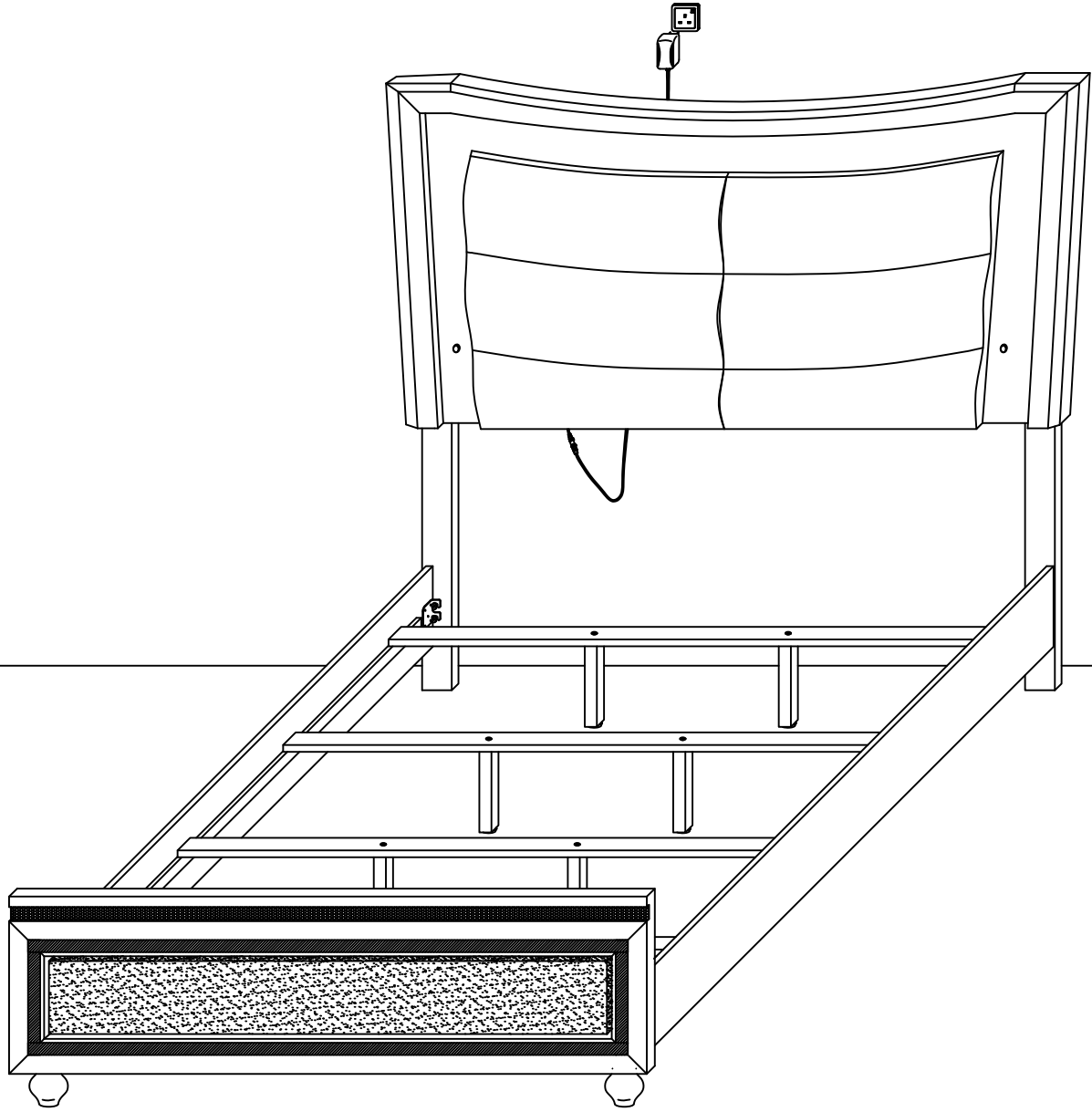
COLLETE-WHITE-KB ASSEMBLY INSTRUCTION

HARDWARES LIST

| ITEM | DESCRIPTION | DRAWING | QTY |
|------|---------------------------|--|--------|
| A | JCBB SCREW M8 x 16MM |  | 8 PCS |
| B | JCBB SCREW M8 x 40MM |  | 12 PCS |
| C | SPRING WASHER M8 x 14MM |  | 8 PCS |
| D | SPRING WASHER M8 x 22MM |  | 8 PCS |
| E | CSK C/B SCREW (M4 x 32MM) |  | 8 PCS |
| F | M5 ALLEN KEY (65MM) |  | 1 PC |
| G | PLUG WITH CONNECTOR WIRE |  | 1 PC |

COLLETE-WHITE-KB ASSEMBLY INSTRUCTION

STEP 6



ASSEMBLY COMPLETED

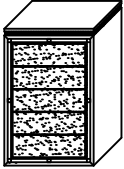
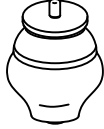
COLLETE-WHITE-CH ASSEMBLY INSTRUCTION

Thank you for purchasing this quality product. Be sure any small parts and hardware not for children under 3 years. Adult assembly required.

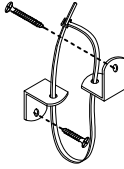
"DO NOT TIGHTEN SCREWS UNTIL COMPLETELY ASSEMBLED"

"DO NOT OVERTIGHT ANY HARDWARE"

PARTS LIST

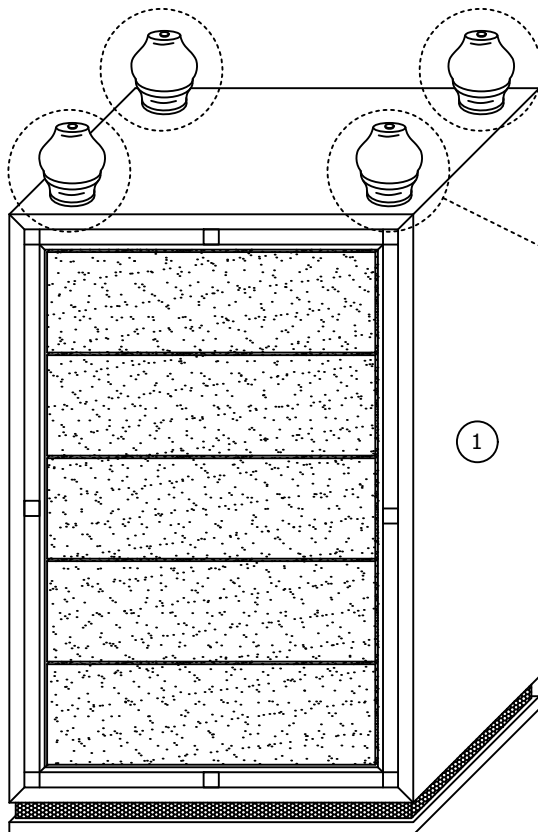
| ITEM | DESCRIPTION | DRAWING | QTY |
|------|--------------------------|--|-------|
| 1 | CHEST |  | 1 PC |
| 22 | LEG (WITH PLASTIC COVER) |  | 4 PCS |

HARDWARES LIST

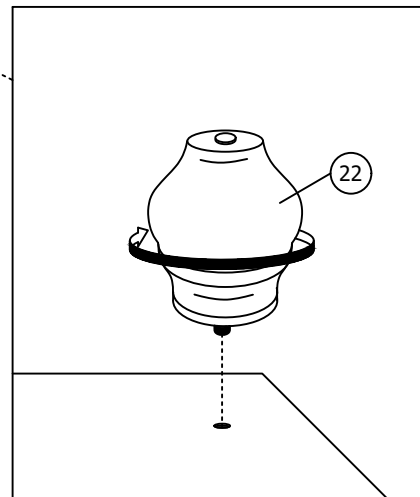
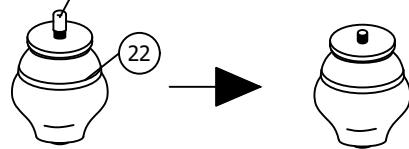
| ITEM | DESCRIPTION | DRAWING | QTY |
|------|-------------------|---|------|
| A | TIPPING RESTRAINT |  | 1 PC |

ASSEMBLY STEPS

STEP 1



Take off this plastic cover before assembly



COLLETE-WHITE-CH ASSEMBLY INSTRUCTION

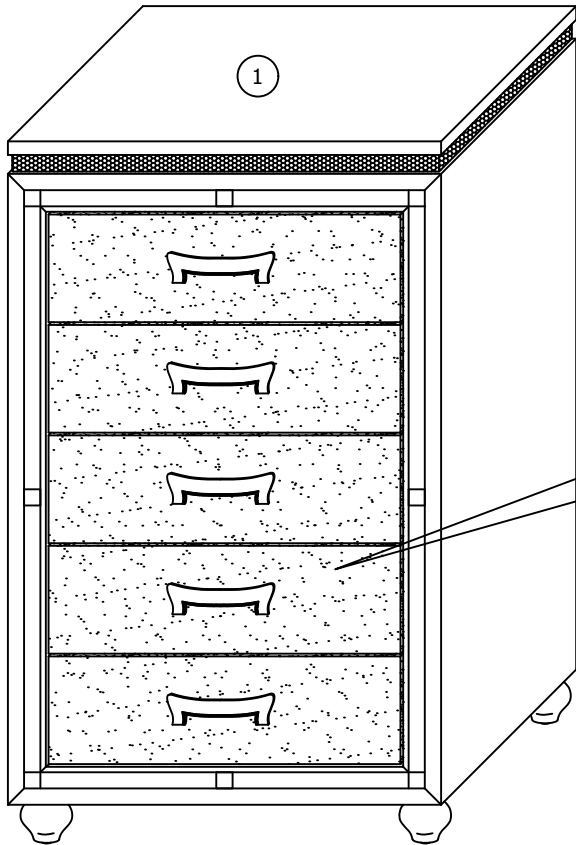
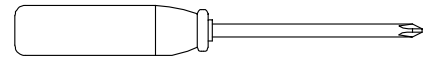
STEP 2

STEP 2.1: Turn loose all the handles and screws.

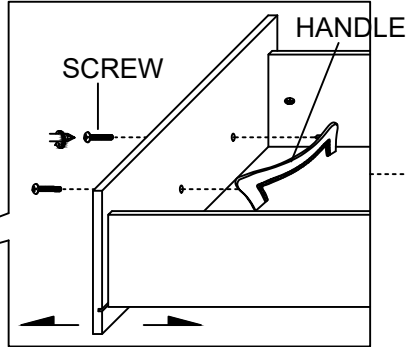
STEP 2.2: Exchange location of these items then tighten.

ASSEMBLY TOOLS REQUIRED

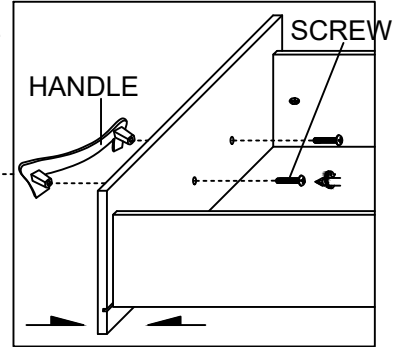
Screwdriver (not provide)



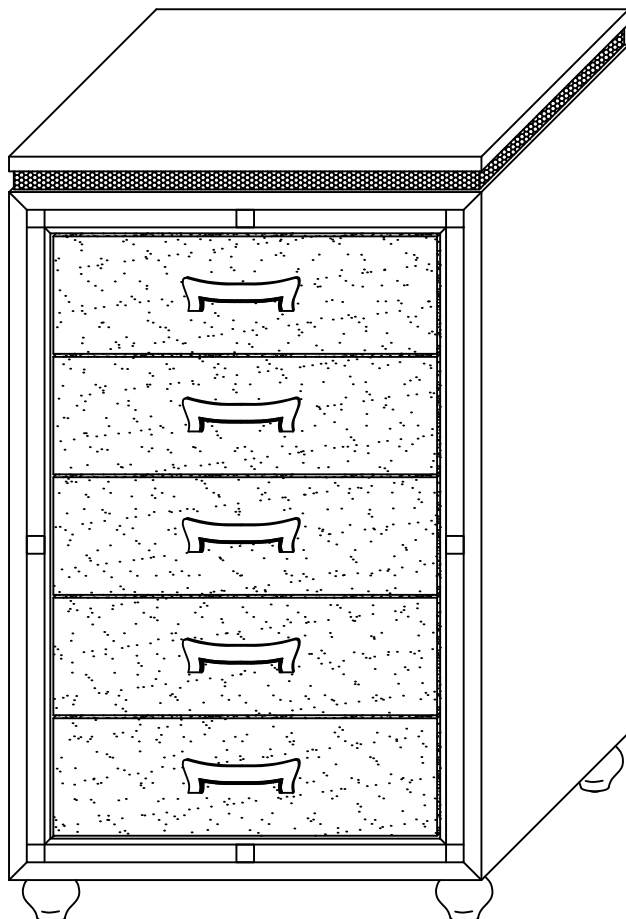
STEP 2.1



STEP 2.2

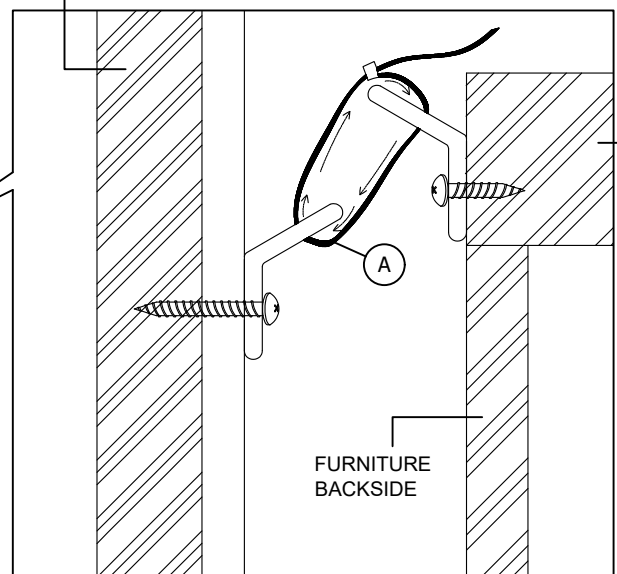


STEP 3



WALL BOARD AND STUD

FURNITURE TOP



ASSEMBLY COMPLETED

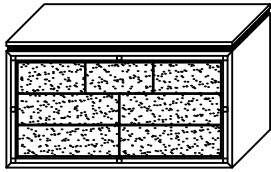


COLLETE-WHITE-DR ASSEMBLY INSTRUCTION

Thank you for purchasing this quality product. Be sure any small parts and hardware not for children under 3 years. Adult assembly required.

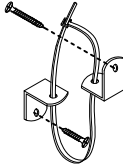
"DO NOT TIGHTEN SCREWS UNTIL COMPLETELY ASSEMBLED"

"DO NOT OVERTIGHT ANY HARDWARE"

PARTS LIST

| ITEM | DESCRIPTION | DRAWING | QTY |
|------|---|--|-------|
| 1 | DRESSER |  | 1 PC |
| 22 | LEG (WITH PLASTIC COVER) |  | 4 PCS |
| 23 | CENTRE SUPPORT LEG (WITH PLASTIC COVER) |  | 1 PC |

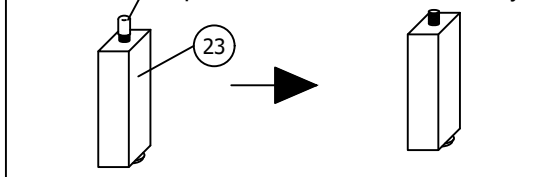
HARDWARES LIST

| ITEM | DESCRIPTION | DRAWING | QTY |
|------|-------------------|--|------|
| A | TIPPING RESTRAINT |  | 1 PC |

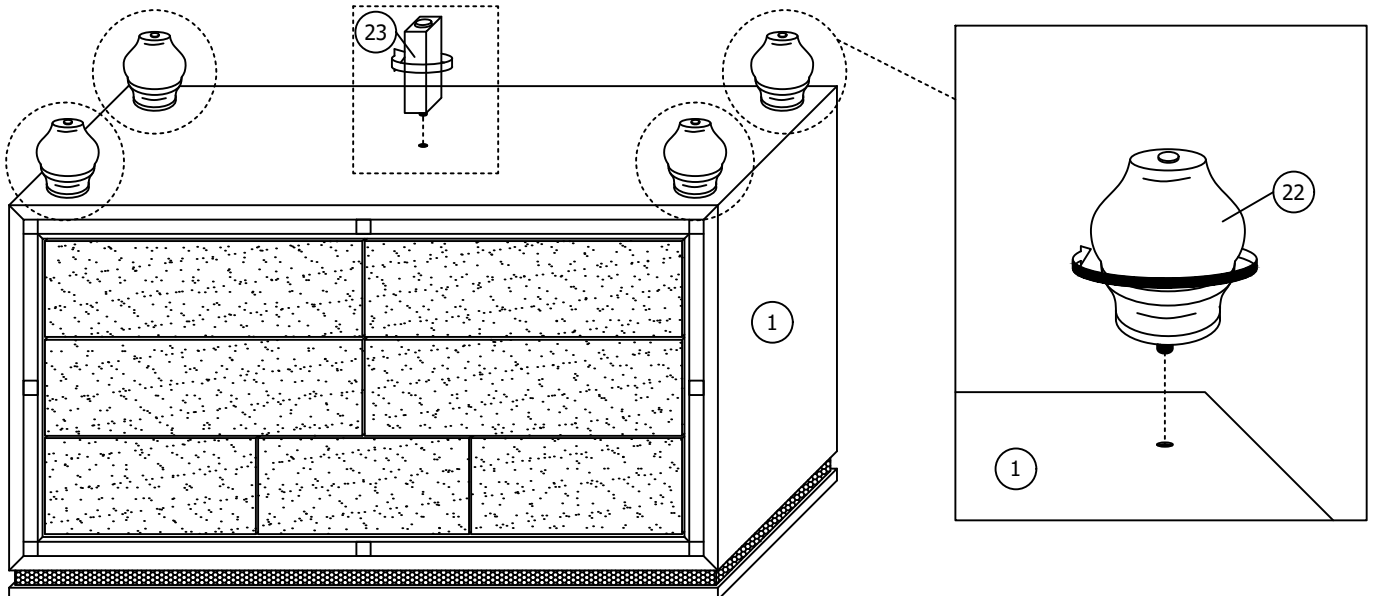
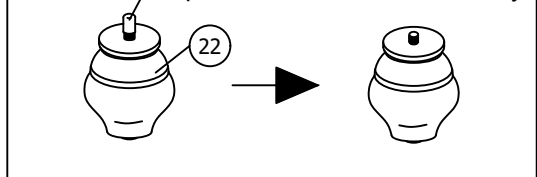
ASSEMBLY STEPS

STEP 1

Take off this plastic cover before assembly



Take off this plastic cover before assembly



COLLETE-WHITE-DR ASSEMBLY INSTRUCTION

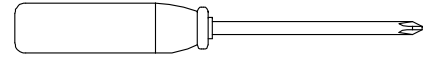
STEP 2

STEP 2.1: Turn loose all the handles and screws.

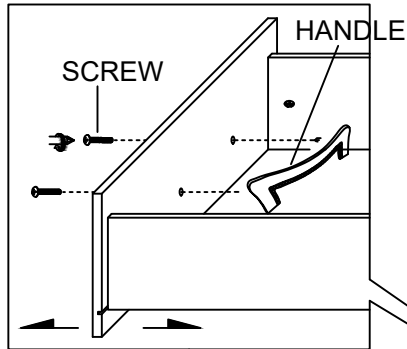
STEP 2.2: Exchange location of these items then tighten.

ASSEMBLY TOOLS REQUIRED

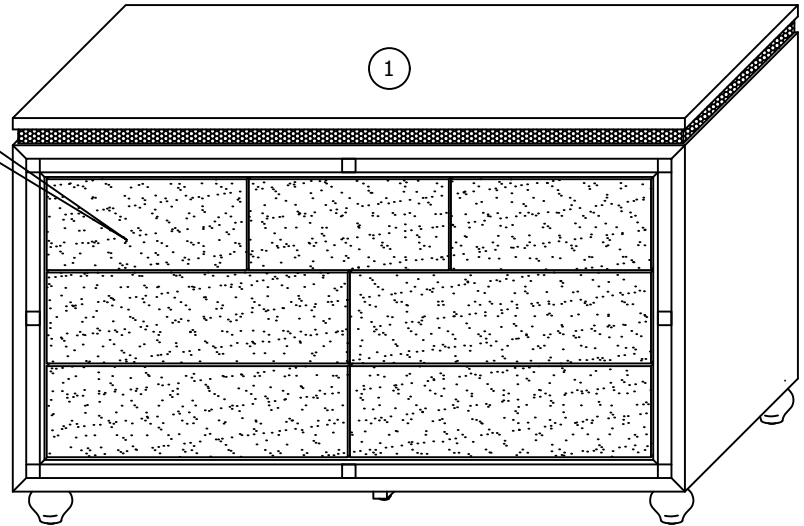
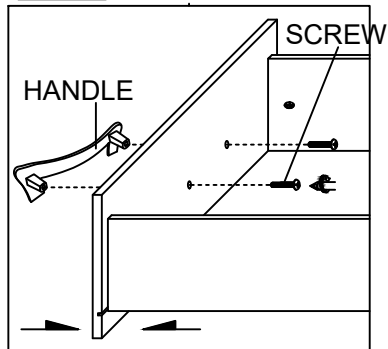
Screwdriver (not provide)



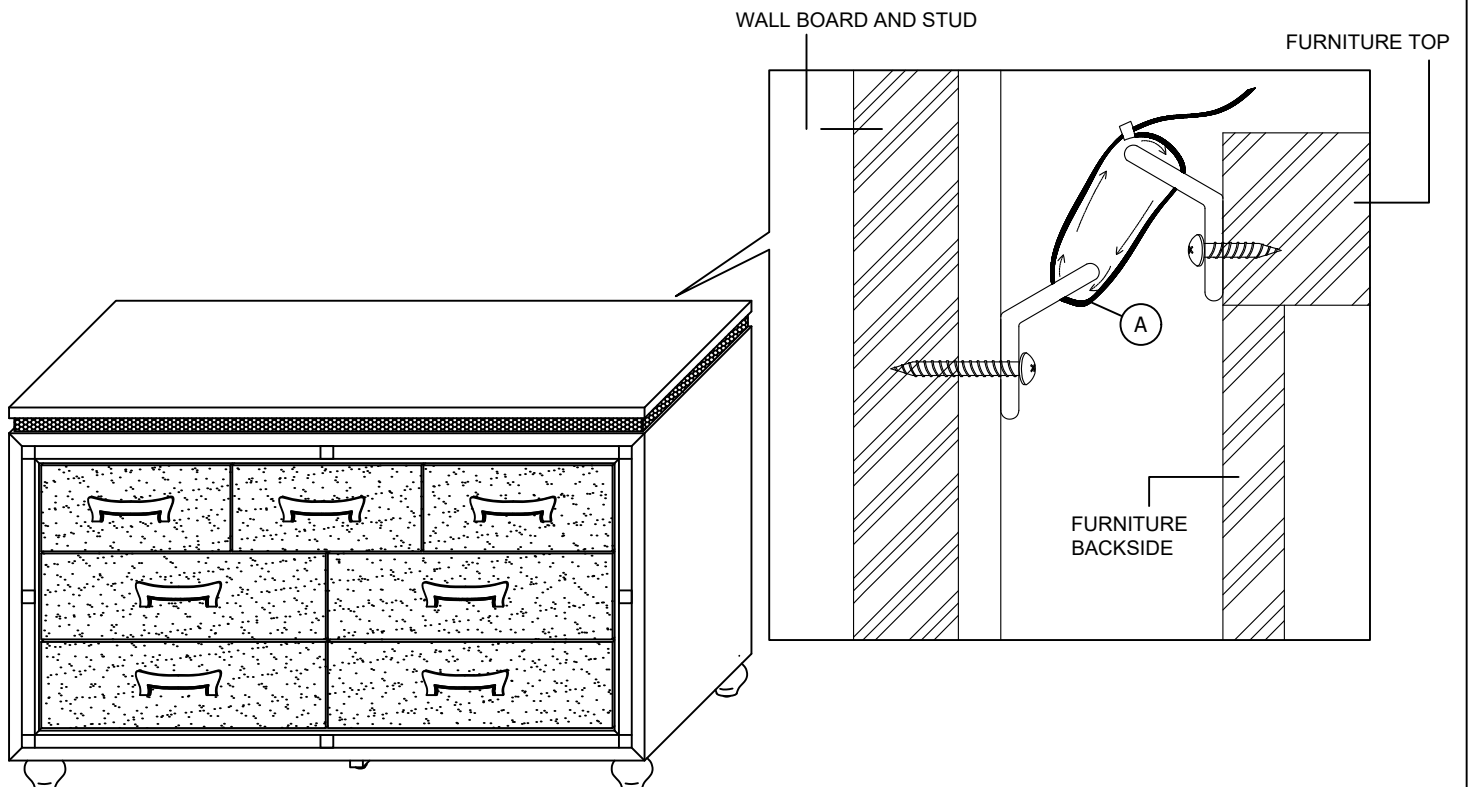
STEP 2.1



STEP 2.2



STEP 3



ASSEMBLY COMPLETED

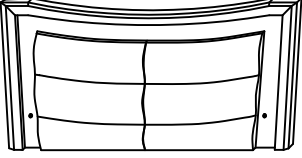
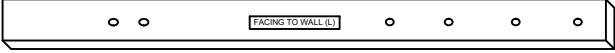
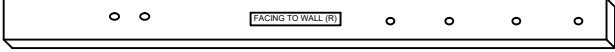
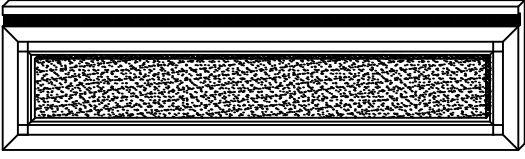
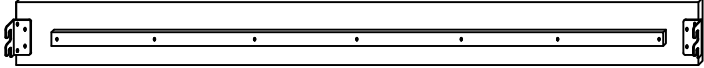
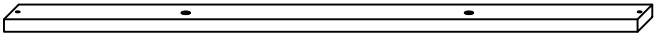
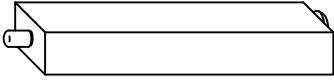
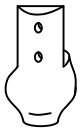
COLLETE-WHITE-KB ASSEMBLY INSTRUCTION

Thank you for purchasing this quality product. Be sure any small parts and hardware not for children under 3 years. Adult assembly required.

"DO NOT TIGHTEN SCREWS UNTIL COMPLETELY ASSEMBLED"

"DO NOT OVERTIGHT ANY HARDWARE"

PARTS LIST

| ITEM | DESCRIPTION | DRAWING | QTY |
|------|-------------------------------------|---|-------|
| 1 | HEADBOARD |  | 1 PC |
| 2 | HEADBOARD SUPPORT LEG - (L) |  | 1 PC |
| 3 | HEADBOARD SUPPORT LEG - (R) |  | 1 PC |
| 4 | FOOTBOARD |  | 1 PC |
| 5 | SIDE RAIL (i) |  | 2 PCS |
| 6 | SLAT |  | 4 PCS |
| 7 | SUPPORT LEG (WITH PLASTIC COVER) |  | 8 PCS |
| 22 | FOOTBOARD LEG |  | 2 PCS |

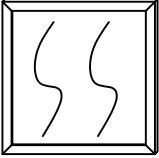
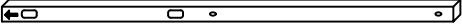
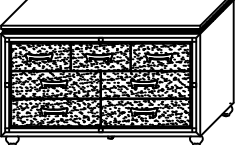
COLLETE-WHITE-MR ASSEMBLY INSTRUCTION

Thank you for purchasing this quality product. Be sure any small parts and hardware not for children under 3 years. Adult assembly required.

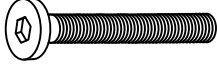



"DO NOT TIGHTEN SCREWS UNTIL COMPLETELY ASSEMBLED"

"DO NOT OVERTIGHT ANY HARDWARE"

PARTS LIST

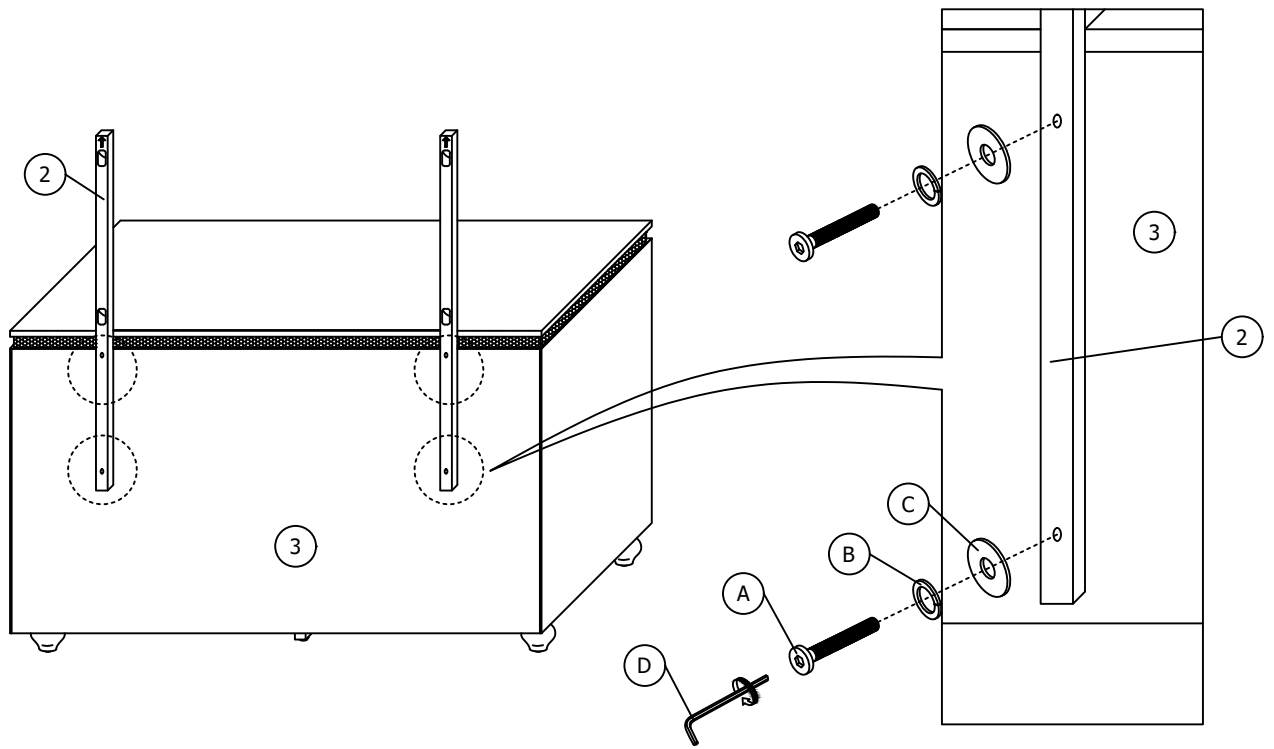
| ITEM | DESCRIPTION | DRAWING | QTY |
|------|---------------------|--|-------|
| 1 | MIRROR |  | 1 PC |
| 2 | MIRROR SUPPROT RAIL |  | 2 PCS |
| 3 | DRESSER |  | 1 PC |

HARDWARES LIST

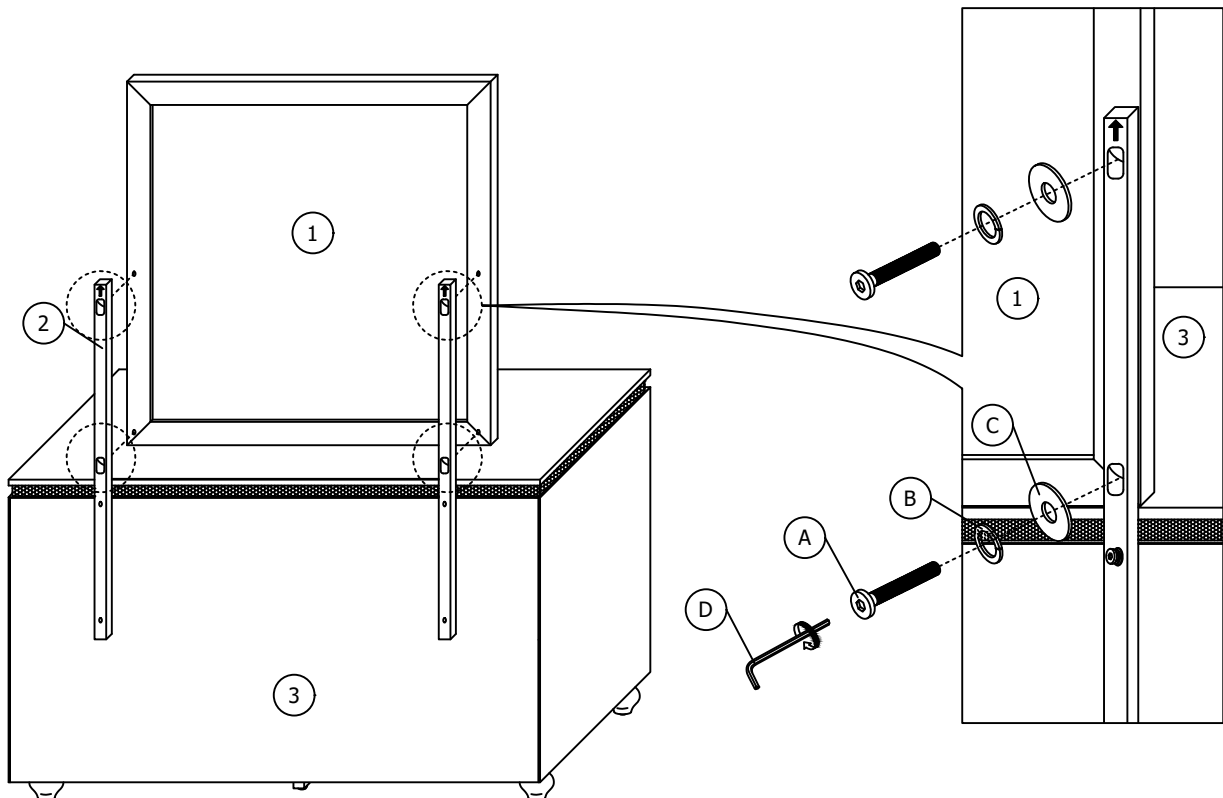
| ITEM | DESCRIPTION | DRAWING | QTY |
|------|-------------------------|---|-------|
| A | JCBC SCREW M6 x 40MM |  | 8 PCS |
| B | SPRING WASHER M6 x 13MM |  | 8 PCS |
| C | FLAT WASHER M6 x 19MM |  | 8 PCS |
| D | M4 ALLEN KEY (65MM) |  | 1 PC |

COLLETE-WHITE-MR ASSEMBLY INSTRUCTION

STEP 1

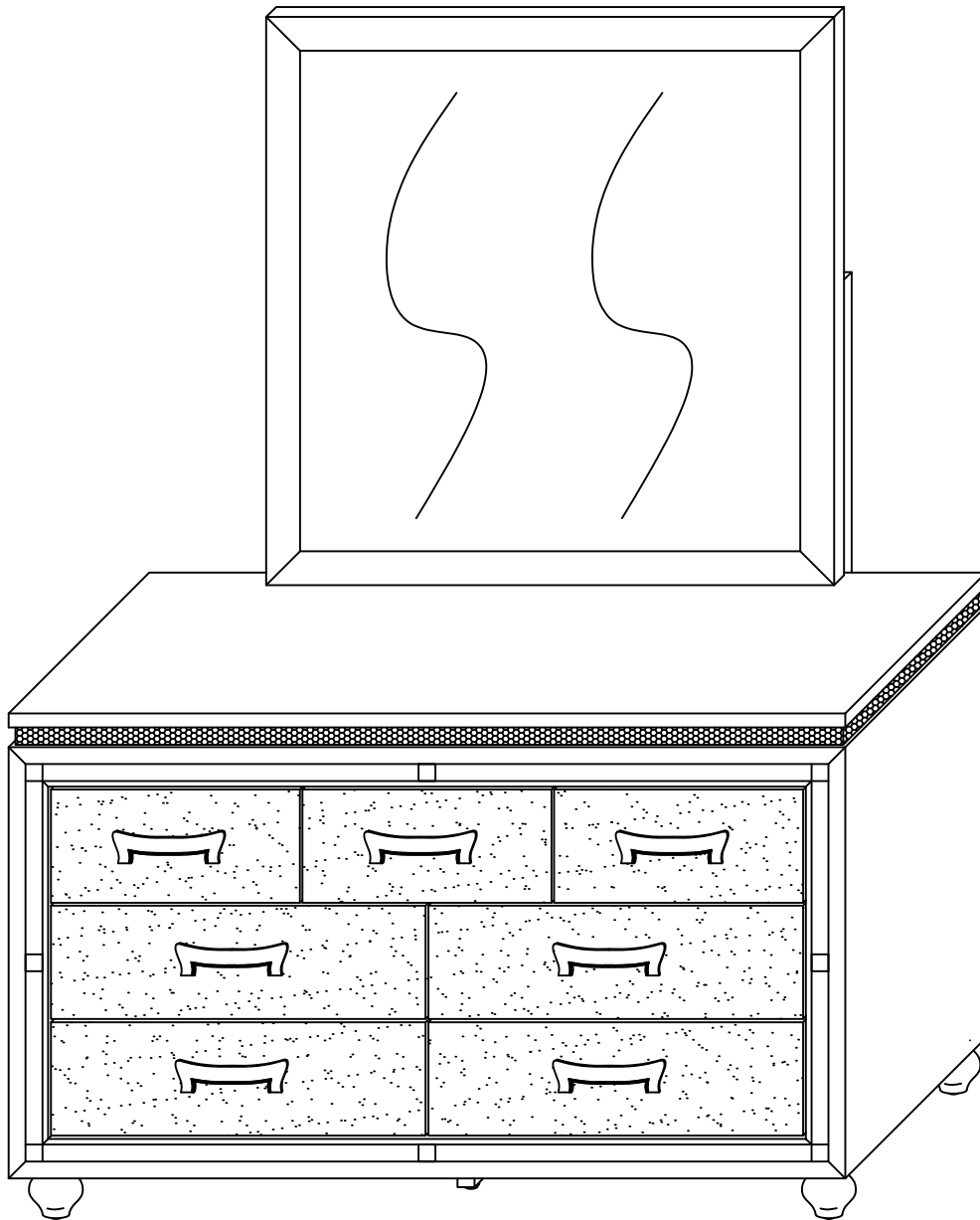


STEP 2



COLLETE-WHITE-MR ASSEMBLY INSTRUCTION

STEP 3



ASSEMBLY COMPLETED

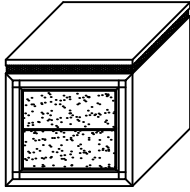
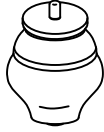
COLLETE-WHITE-NS ASSEMBLY INSTRUCTION

Thank you for purchasing this quality product. Be sure any small parts and hardware not for children under 3 years. Adult assembly required.

"DO NOT TIGHTEN SCREWS UNTIL COMPLETELY ASSEMBLED"

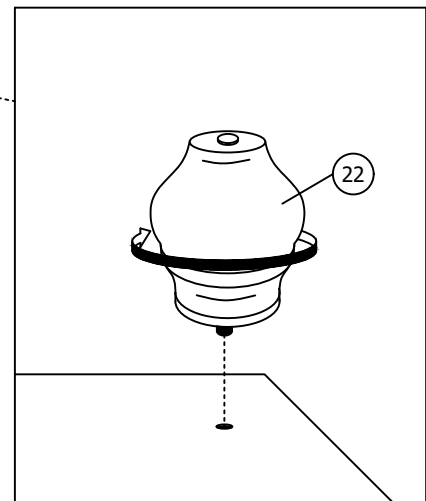
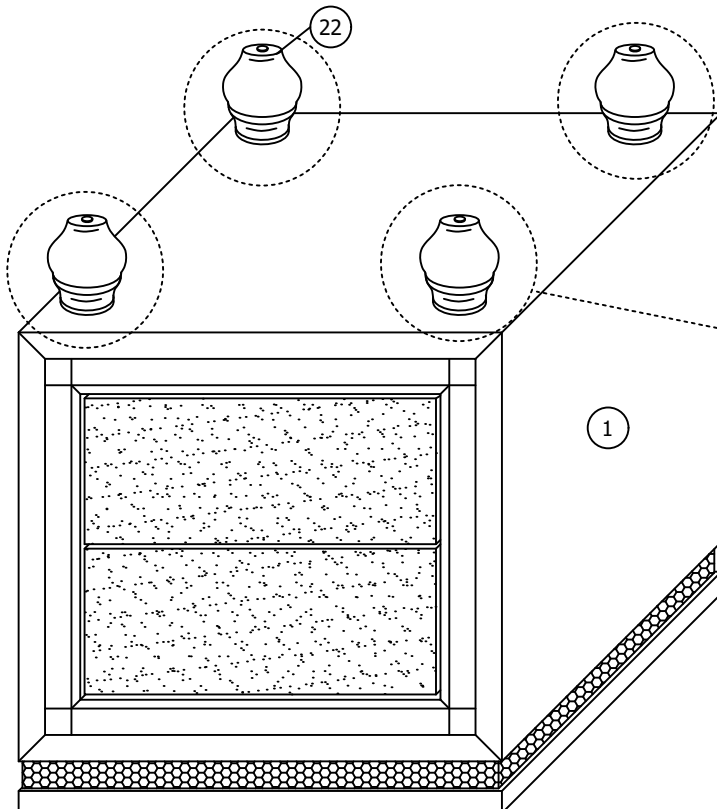
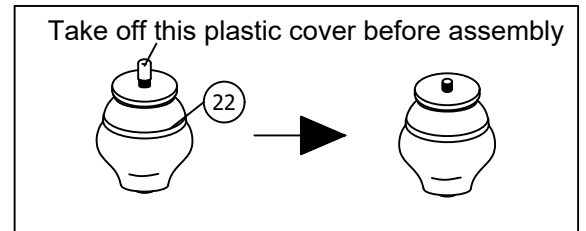
"DO NOT OVERTIGHT ANY HARDWARE"

PARTS LIST

| ITEM | DESCRIPTION | DRAWING | QTY |
|------|--------------------------|--|-------|
| 1 | NIGHTSTAND |  | 1 PC |
| 22 | LEG (WITH PLASTIC COVER) |  | 4 PCS |

ASSEMBLY STEPS

STEP 1



COLLETE-WHITE-NS ASSEMBLY INSTRUCTION

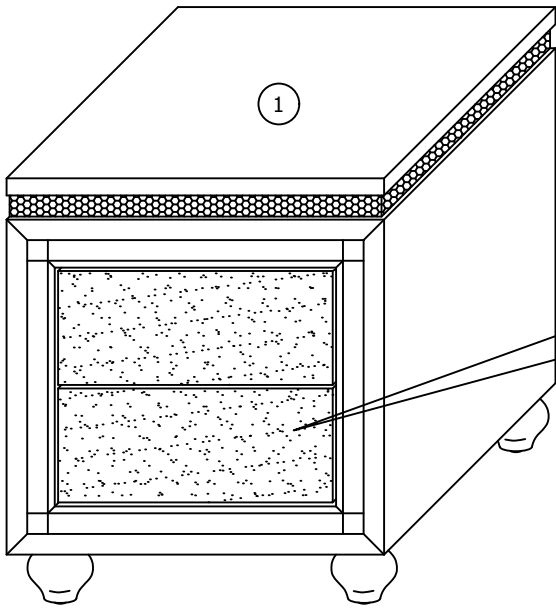
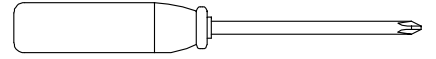
STEP 2

STEP 2.1: Turn loose all the handles and screws.

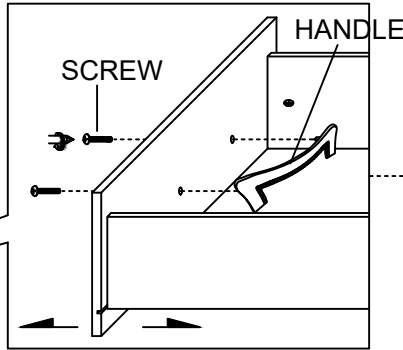
STEP 2.2: Exchange location of these items then tighten.

ASSEMBLY TOOLS REQUIRED

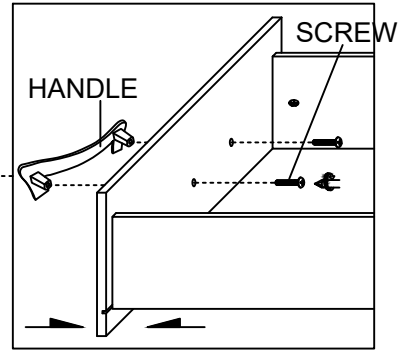
Screwdriver (not provide)



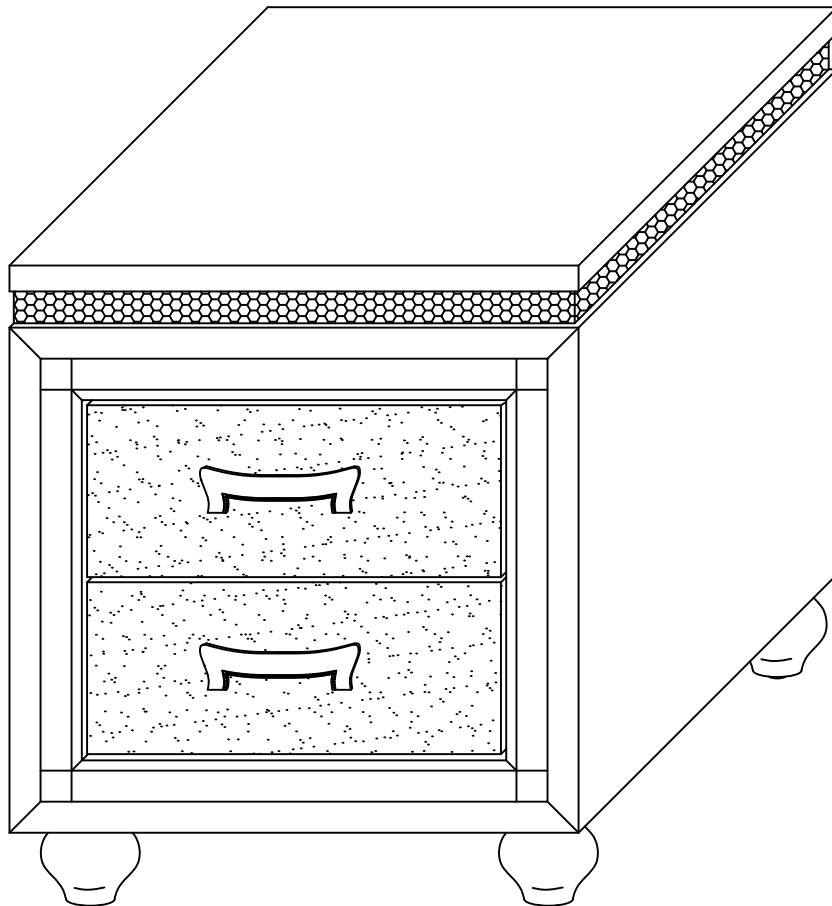
STEP 2.1



STEP 2.2



STEP 3



ASSEMBLY COMPLETED