

ASSEMBLY INSTRUCTIONS

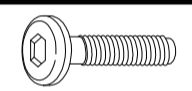


DESCRIPTION : QUEEN BED HEADBOARD AND FOOTBOARD / QUEEN BED/KING BED SIDE RAILS

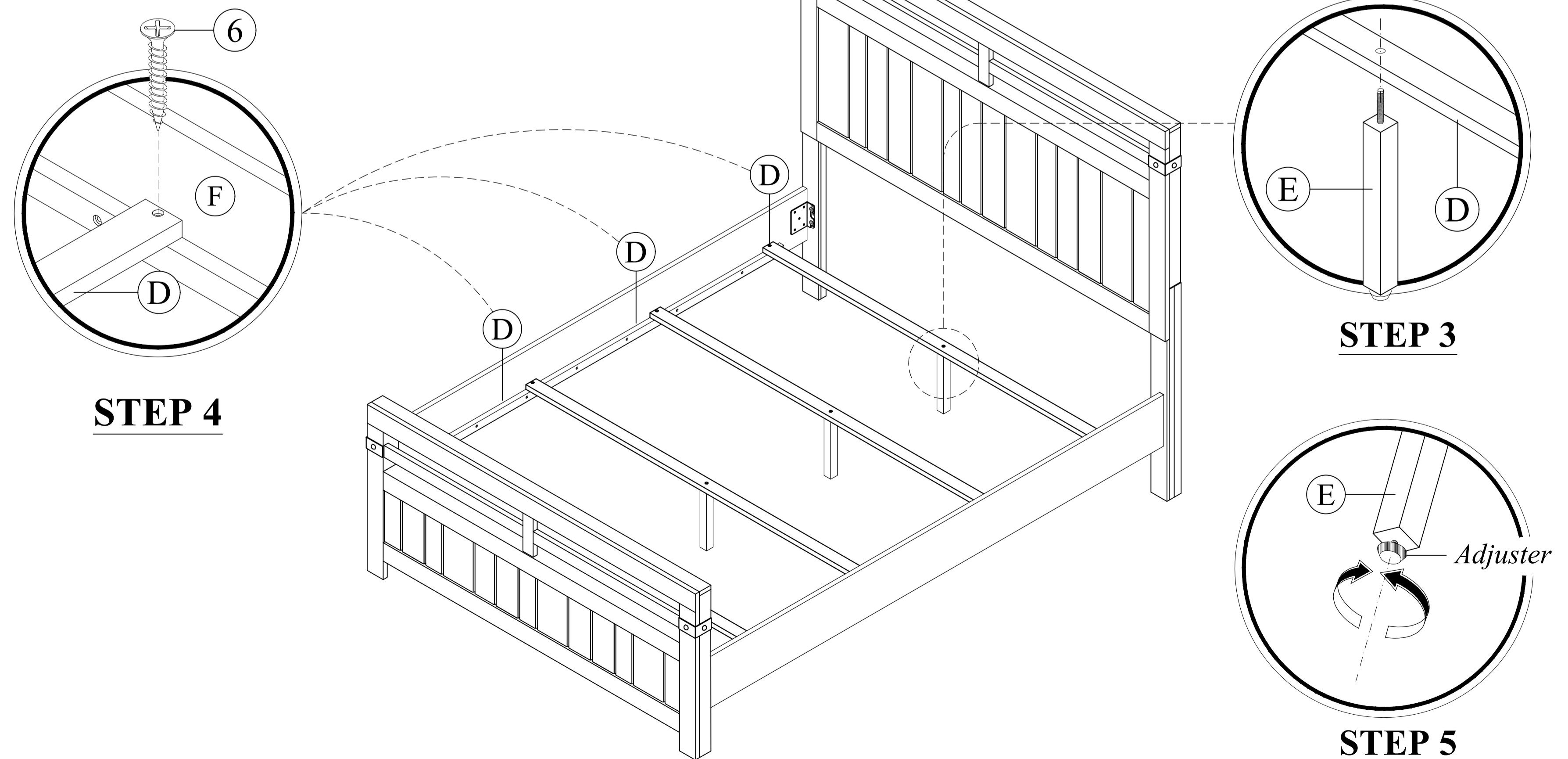
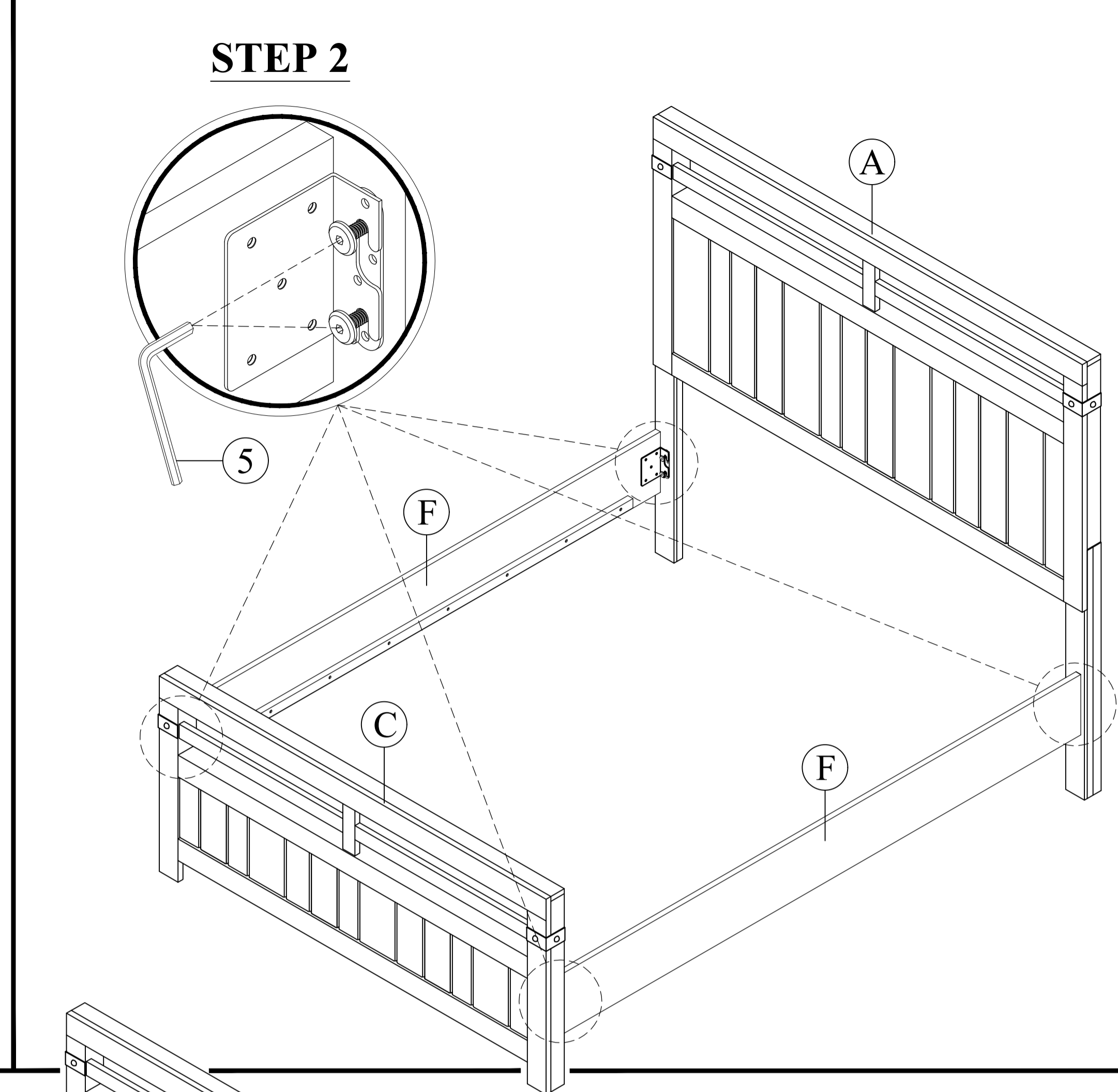
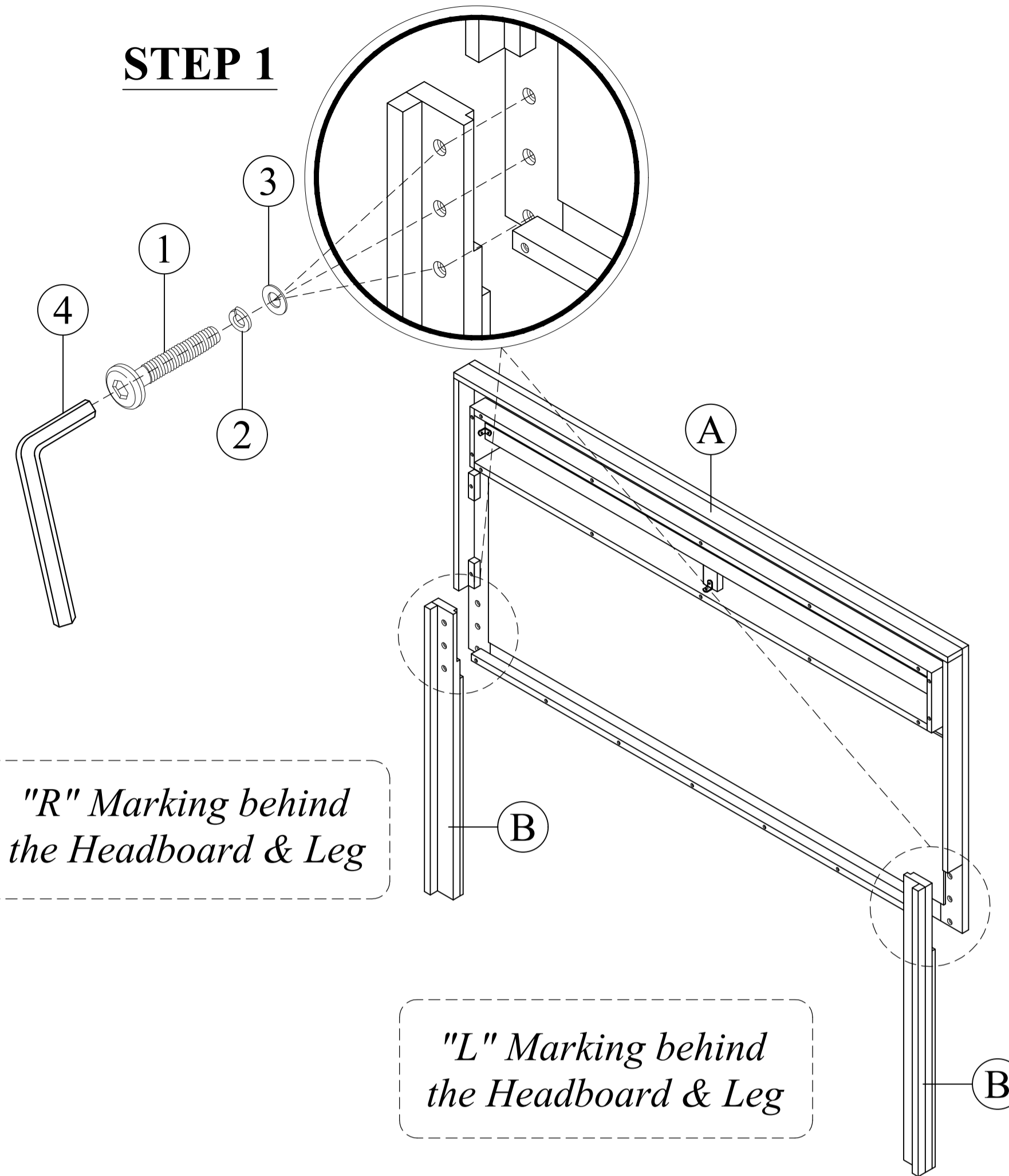
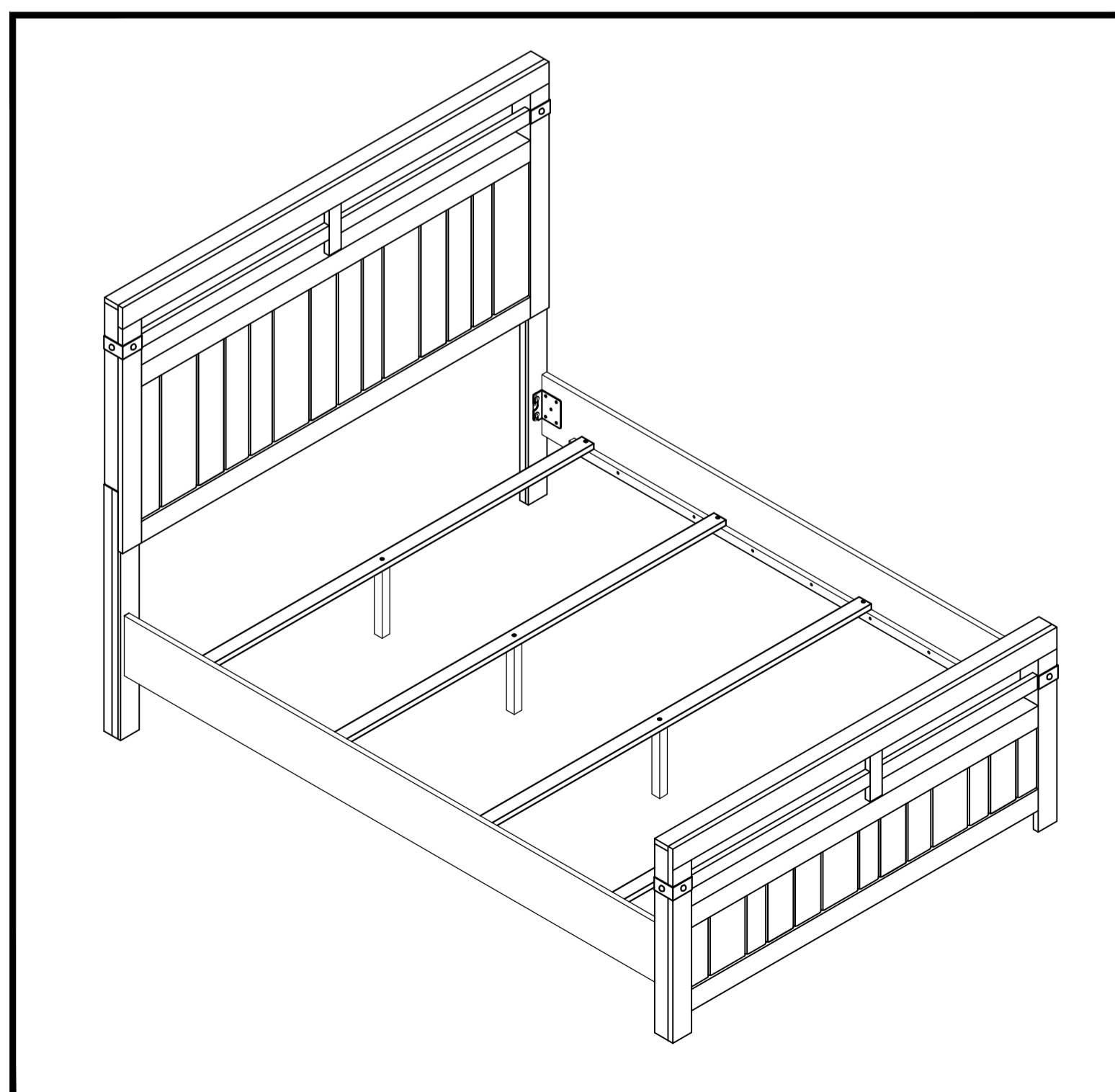
ITEM : ARLO-GREY-QB-HB/FB +
ARLO-GREY-QB/KB-SR

REVISION : A

| Component List | | |
|---------------------------|-----------------|-----|
| Headboard & Headboard Leg | | |
| No | Descriptions | Qty |
| A | Headboard Panel | 1 |
| B | Leg (L/R) | 2 |
| C | Footboard Panel | 1 |
| D | Slat | 4 |
| E | Slat Support | 4 |

| Side Rail | | |
|-----------|--------------|-----|
| No | Descriptions | Qty |
| F | Side Rail | 2 |

| Hardware List In Headboard & Footboard | | | |
|--|--------------------------|---|-----|
| No | Descriptions | | Qty |
| 1 | JCBC Screw M6 x 30mm |  | 6 |
| 2 | Spring Washer Ø1/4" |  | 6 |
| 3 | Flat Washer Ø1/4" x 13mm |  | 6 |
| 4 | L Key M4 |  | 1 |
| 5 | L Key M5 |  | 1 |
| 6 | CSK M4 x 32mm |  | 8 |



**NOTE : MUST TIGHTEN SCREWS PERIODICALLY WITH USE SCREW WILL BECOME LOOSE.
CHECK TIGHTNESS OF ALL SCREW EVERY 6-8 WEEKS.**