

# ASSEMBLY INSTRUCTIONS

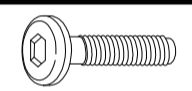
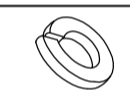



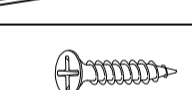
DESCRIPTION : KING BED HEADBOARD AND FOOTBOARD / QUEEN BED/KING BED SIDE RAILS

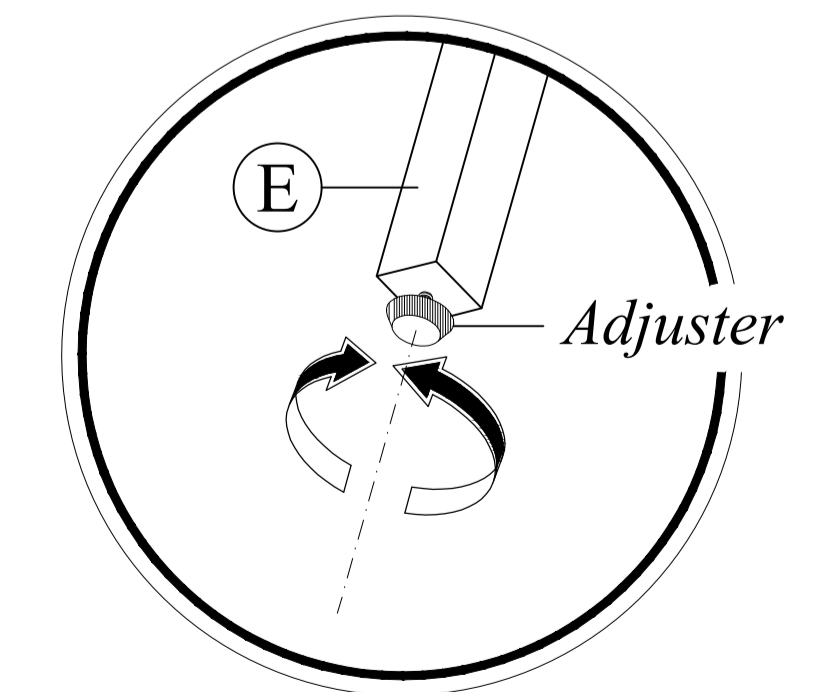
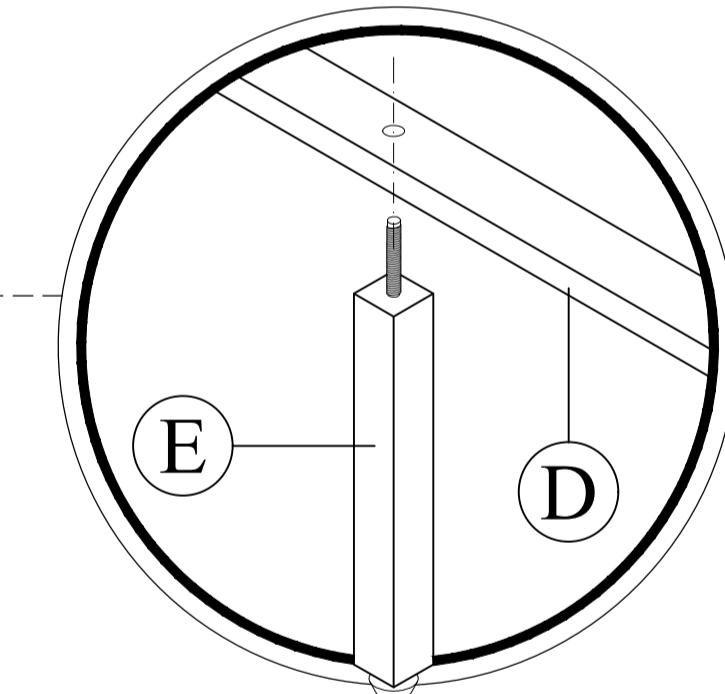
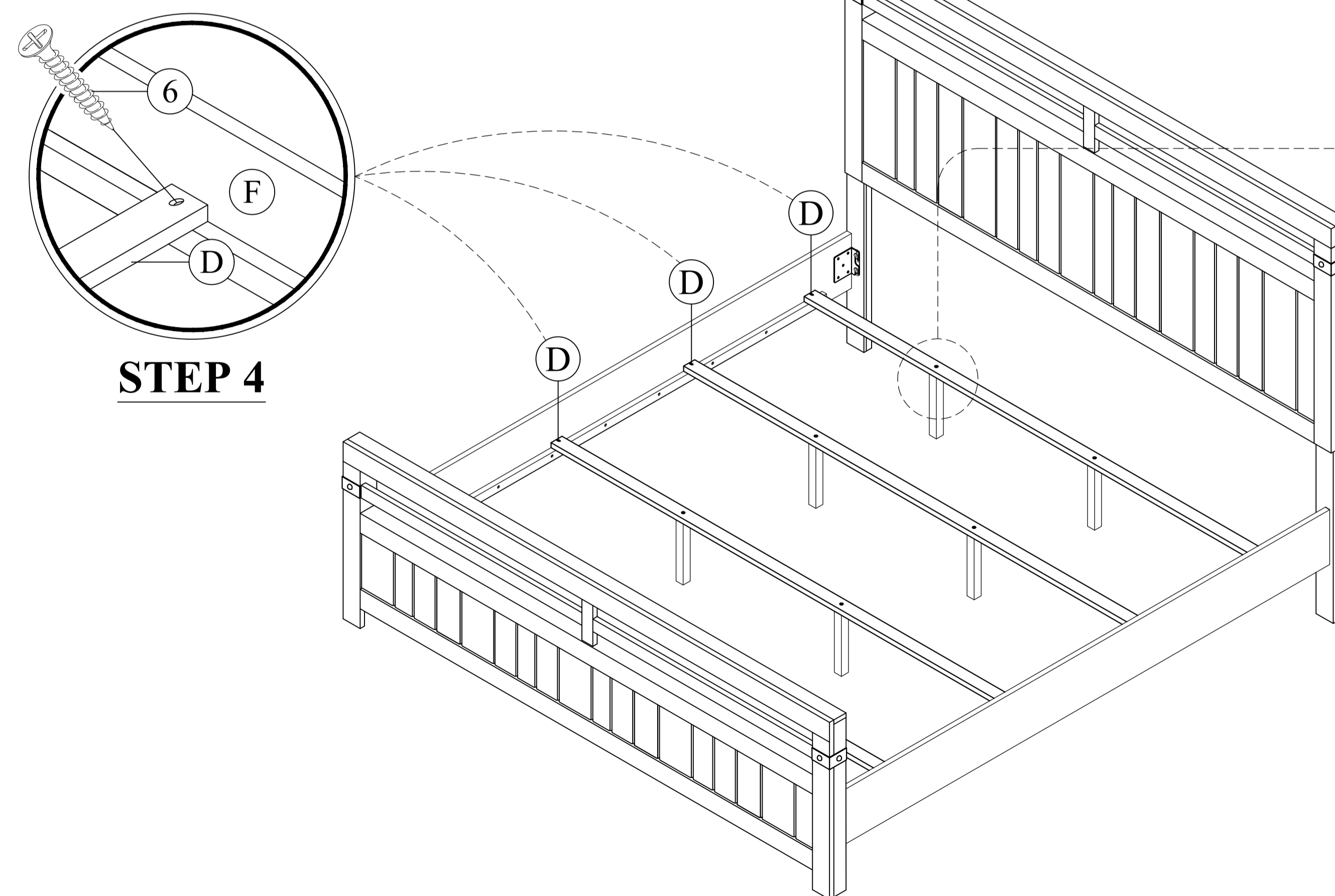
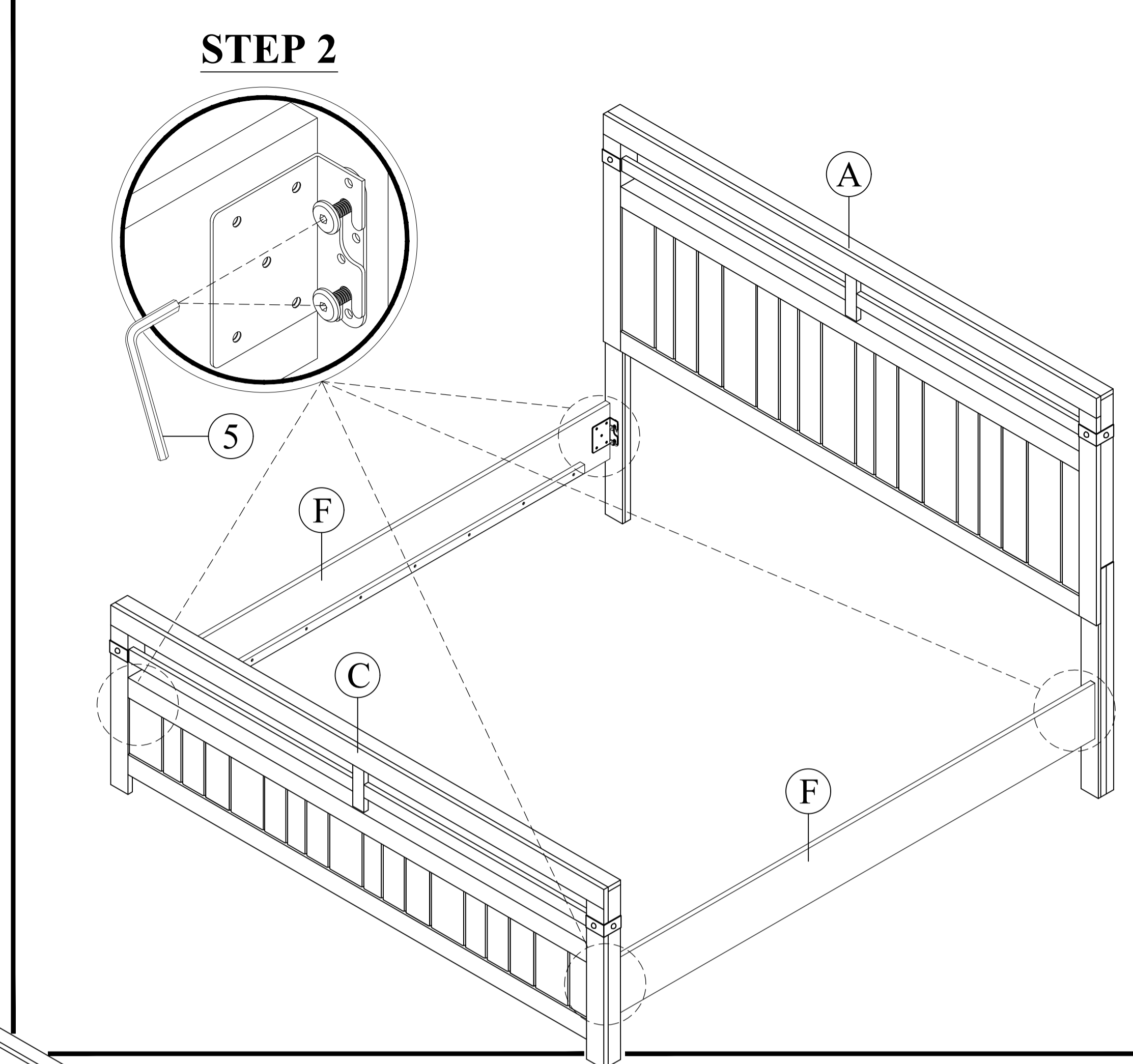
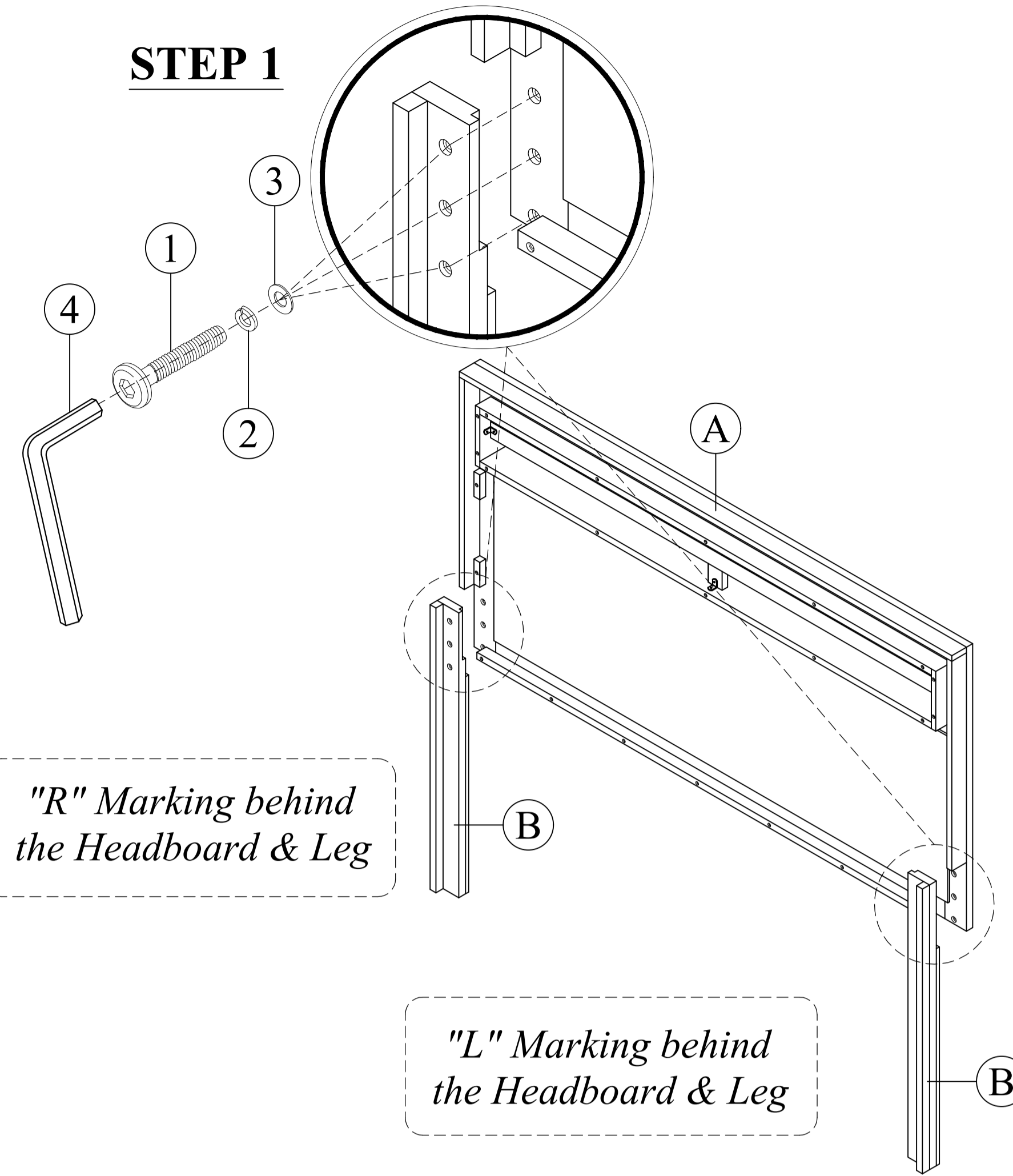
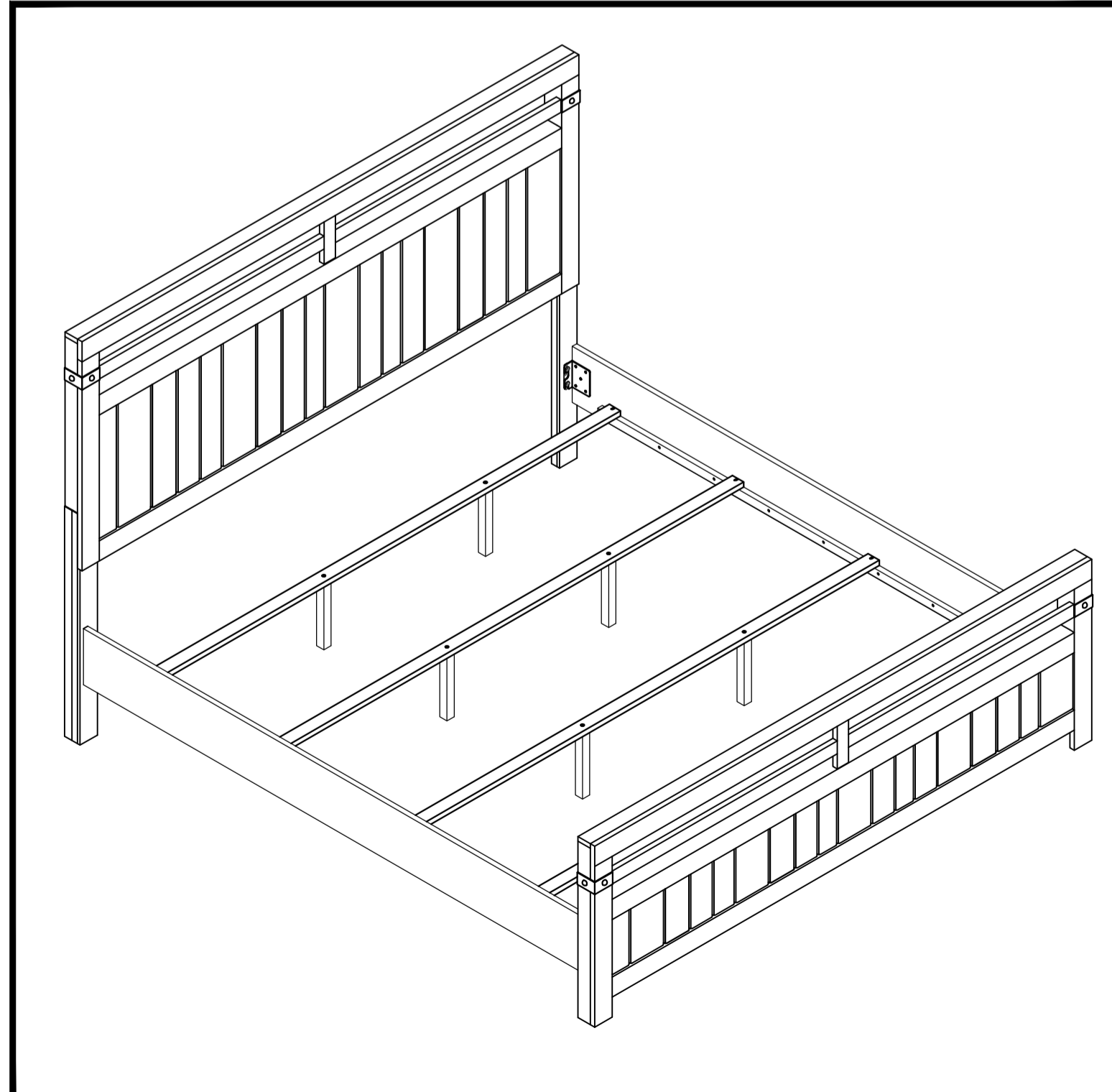
ITEM : ARLO-GREY-KB-HB/FB +  
ARLO-GREY-QB/KB-SR

REVISION : A

Component List		
Headboard & Headboard Leg		
No	Descriptions	Qty
A	Headboard Panel	1
B	Leg (L/R)	2
C	Footboard Panel	1
D	Slat	4
E	Slat Support	8

Side Rail		
No	Descriptions	Qty
F	Side Rail	2

Hardware List In Headboard & Footboard			
No	Descriptions		Qty
1	JCBC Screw M6 x 30mm		6
2	Spring Washer Ø1/4"		6
3	Flat Washer Ø1/4" x 13mm		6
4	L Key M4		1
5	L Key M5		1
6	CSK M4 x 32mm		8



**NOTE : MUST TIGHTEN SCREWS PERIODICALLY WITH USE SCREW WILL BECOME LOOSE.  
CHECK TIGHTNESS OF ALL SCREW EVERY 6-8 WEEKS.**