

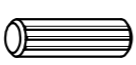
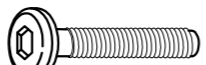



ASSEMBLY INSTRUCTIONS

DESCRIPTION : DRESSER

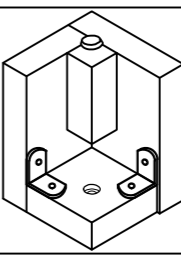
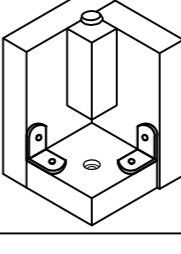
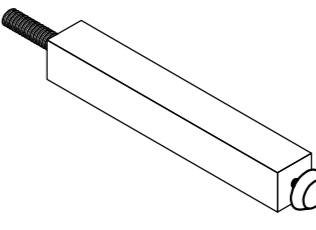
ITEM : ARLO-GREY-DR

REVISION : A

Hardware List

No	Descriptions	Qty
1	Wood Dowel 8mm x 30mm 	4
2	JCBC Screw M6 x 35mm 	4
3	Spring Washer Ø1/4" 	4
4	Flat Washer Ø1/4" x 20mm 	4
5	L Key M4 x 100mm 	1

Component List

No	Descriptions	Qty
A	Left Leg (L Label) 	2
B	Right Leg (R Label) 	2
C	Support Leg 	1

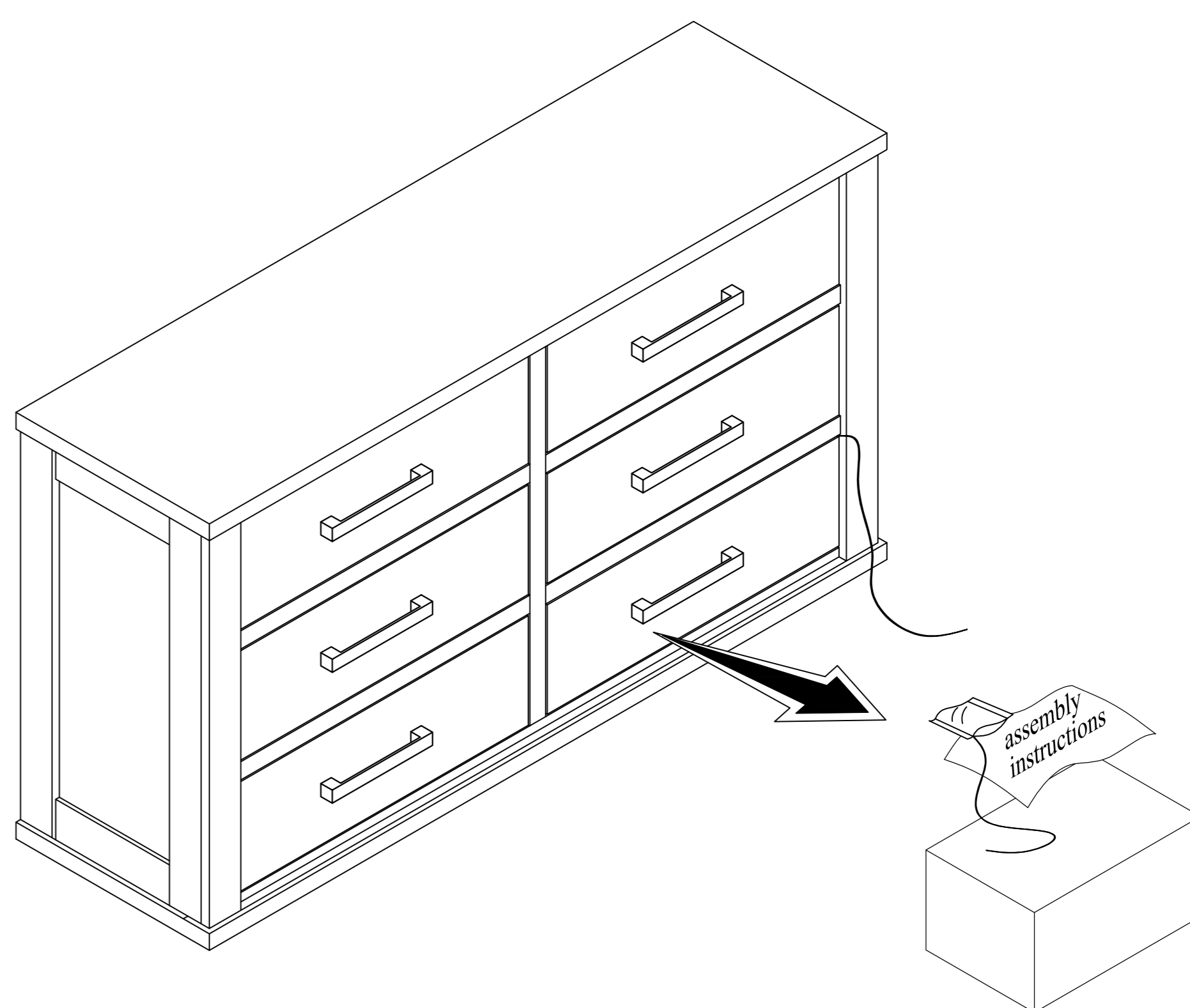


DRESSER

ASSEMBLY COMPLETED

STEP 1

Take out assembly instructions sheet, hardware pack and feet packaging from the drawer which marked with the rope.

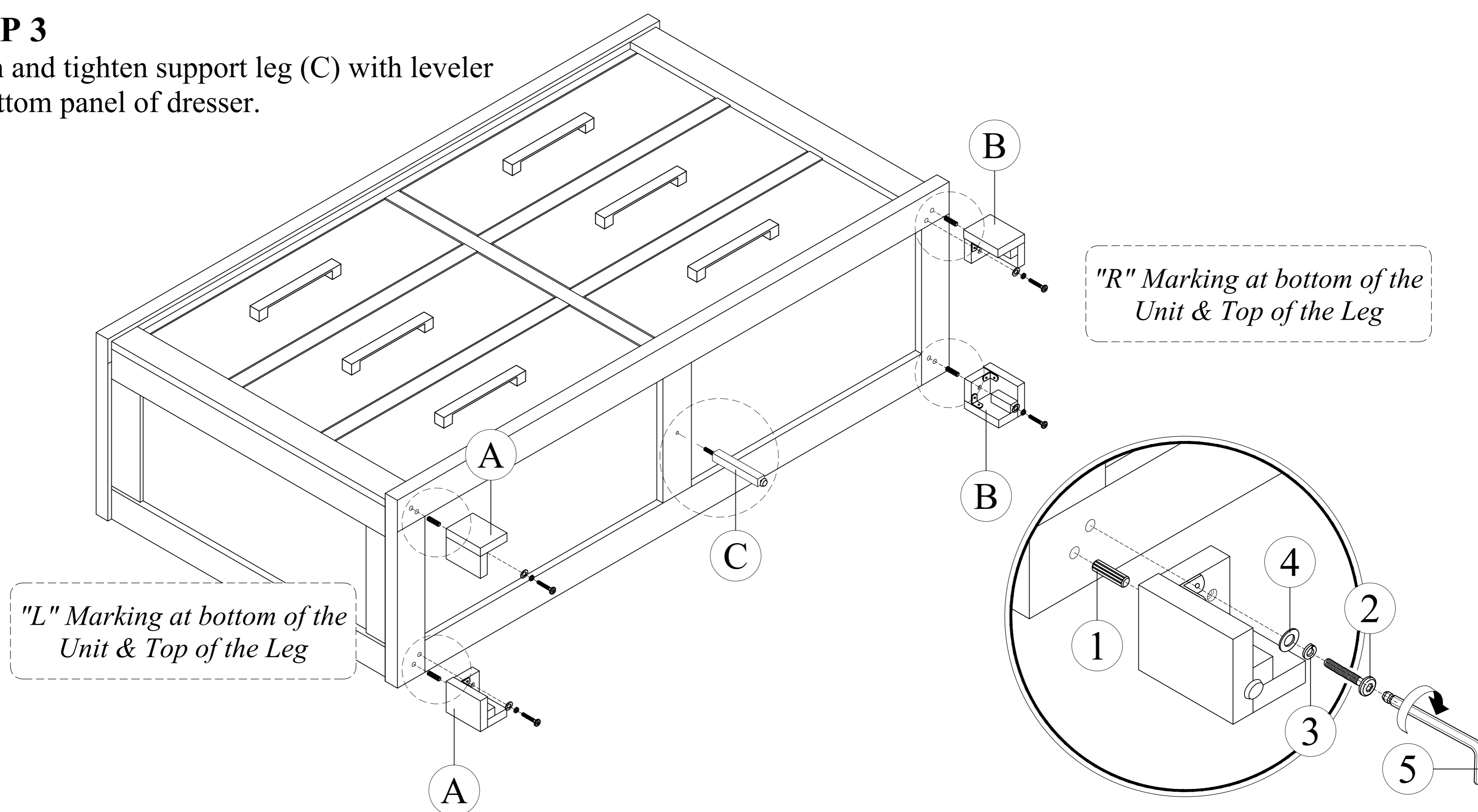


STEP 2

Align & fasten Leg (A) & (B) to dresser according to the position left and right follow the label correctly.

STEP 3

Align and tighten support leg (C) with leveler to bottom panel of dresser.



NOTE : MUST TIGHTEN SCREWS PERIODICALLY WITH USE SCREW WILL BECOME LOOSE. CHECK TIGHTNESS OF ALL SCREW EVERY 6-8 WEEKS.