


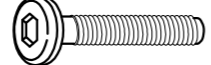



ASSEMBLY INSTRUCTIONS

DESCRIPTION : CHEST WITH SLIDING BARN DOOR

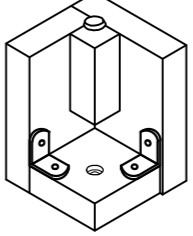
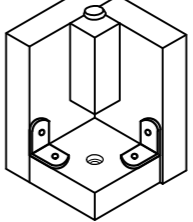
ITEM : ARLO-GREY-CH

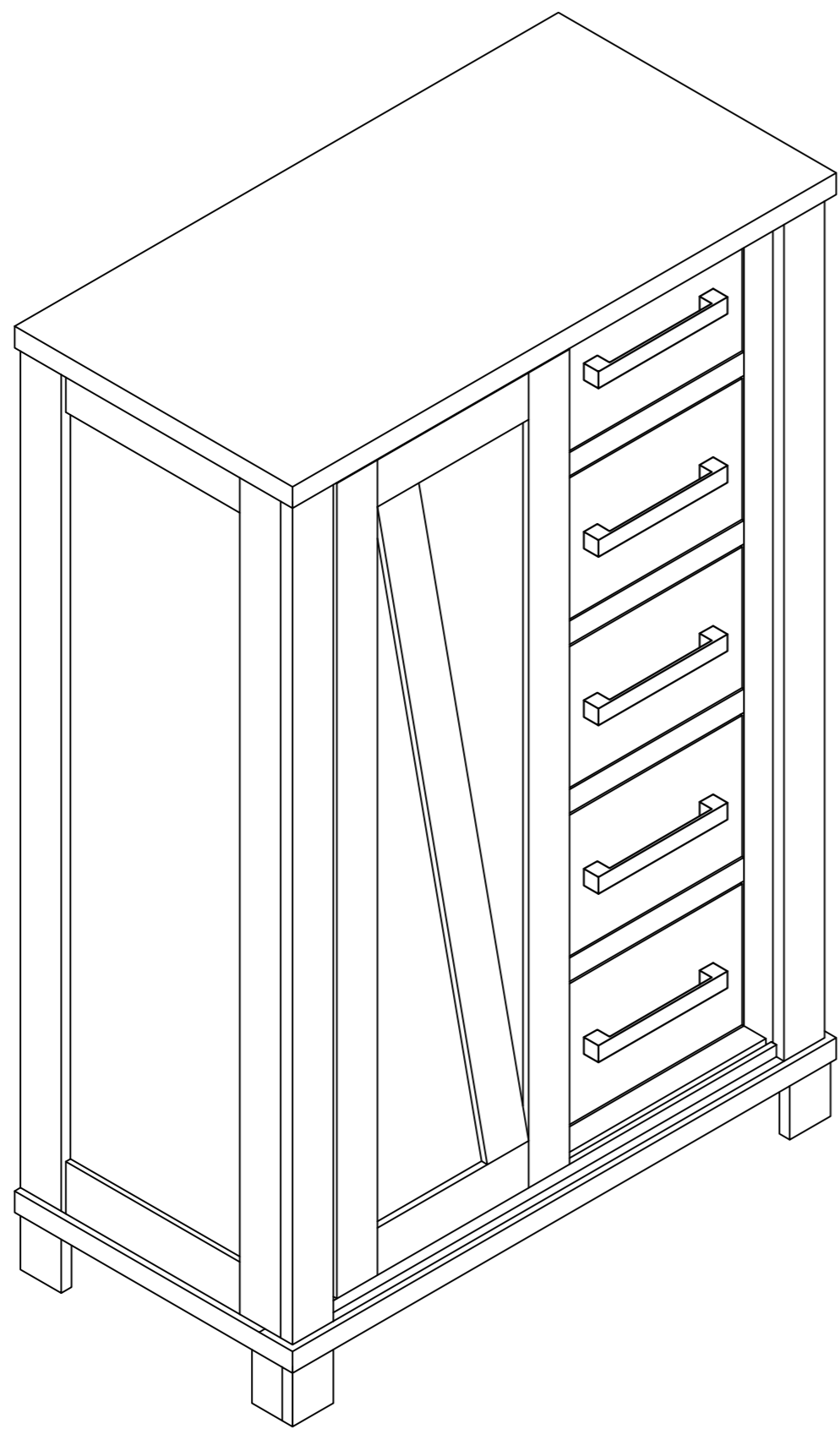
REVISION : A

Hardware List

No	Descriptions	Qty
1	Wood Dowel 8mm x 30mm 	4
2	JCBC Screw M6 x 35mm 	4
3	Spring Washer Ø1/4" 	4
4	Flat Washer Ø1/4" x 20mm 	4
5	L Key M4 x 100mm 	1

Component List

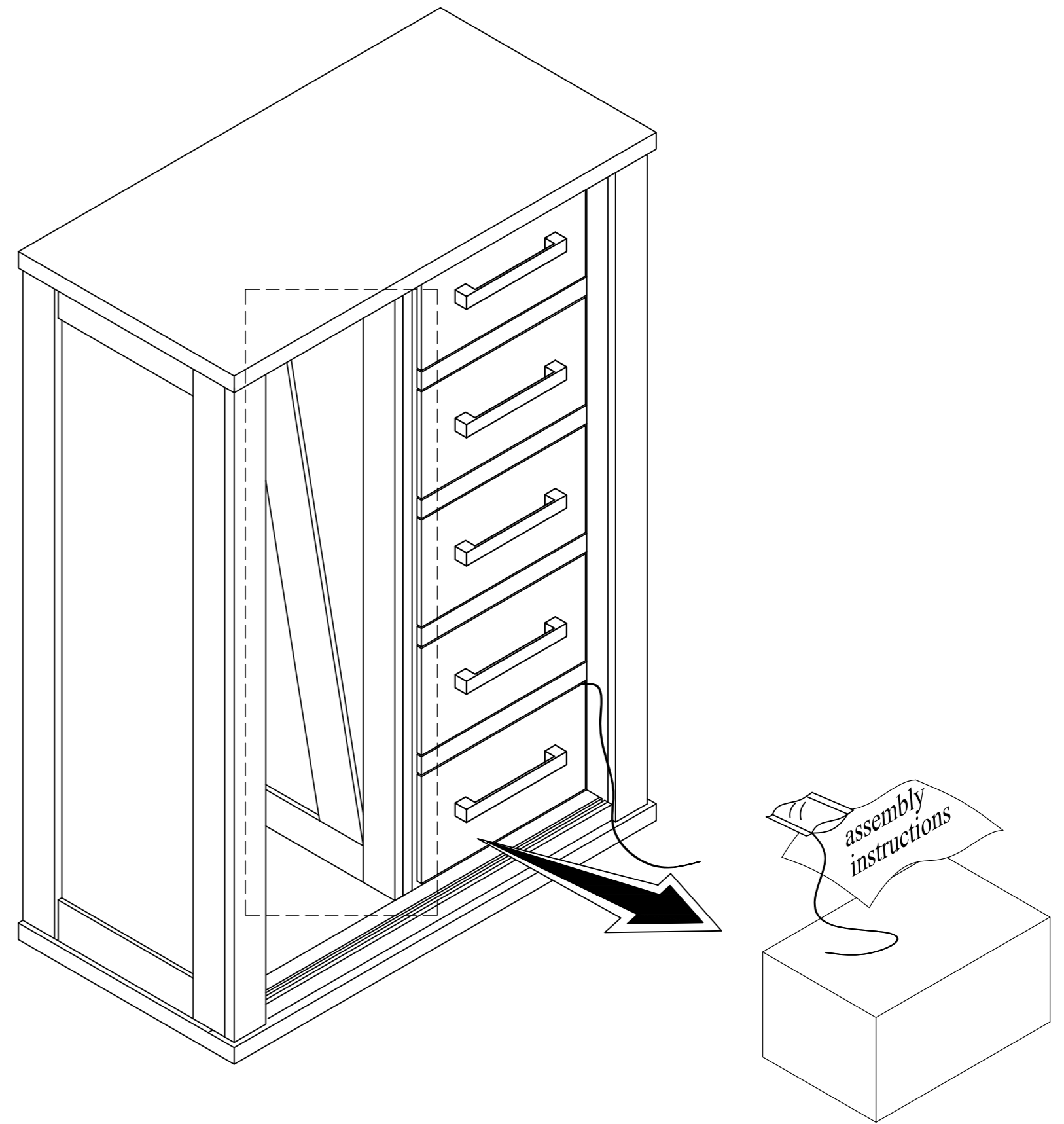
No	Descriptions	Qty
A	Left Leg (L Label) 	2
B	Right Leg (R Label) 	2



**CHEST
ASSEMBLY COMPLETED**

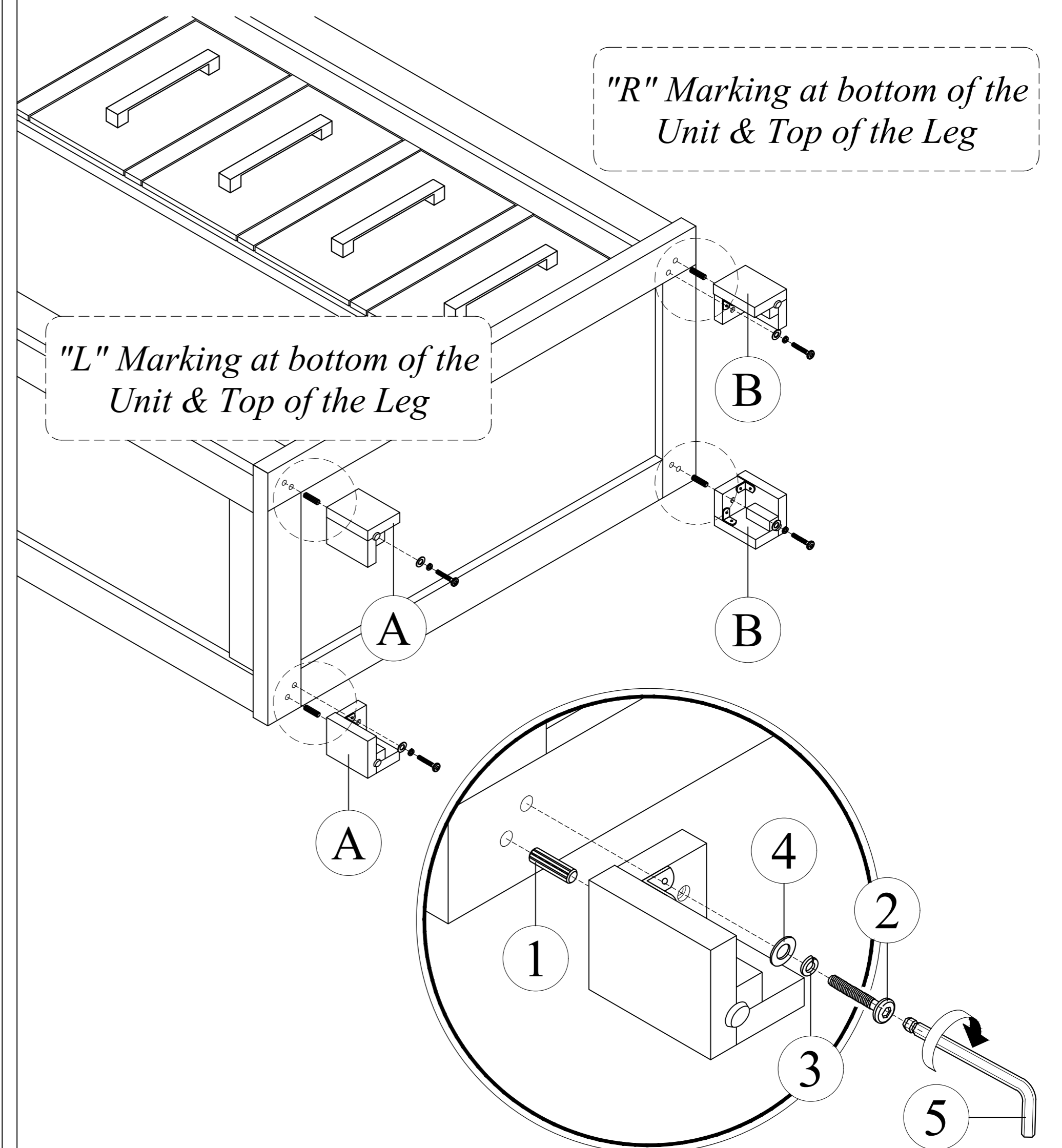
STEP 1

Take out the sliding door and put it at a clean and dry place. Then, take out assembly instructions sheet, hardware pack and feet packaging from the drawer which marked with the rope.



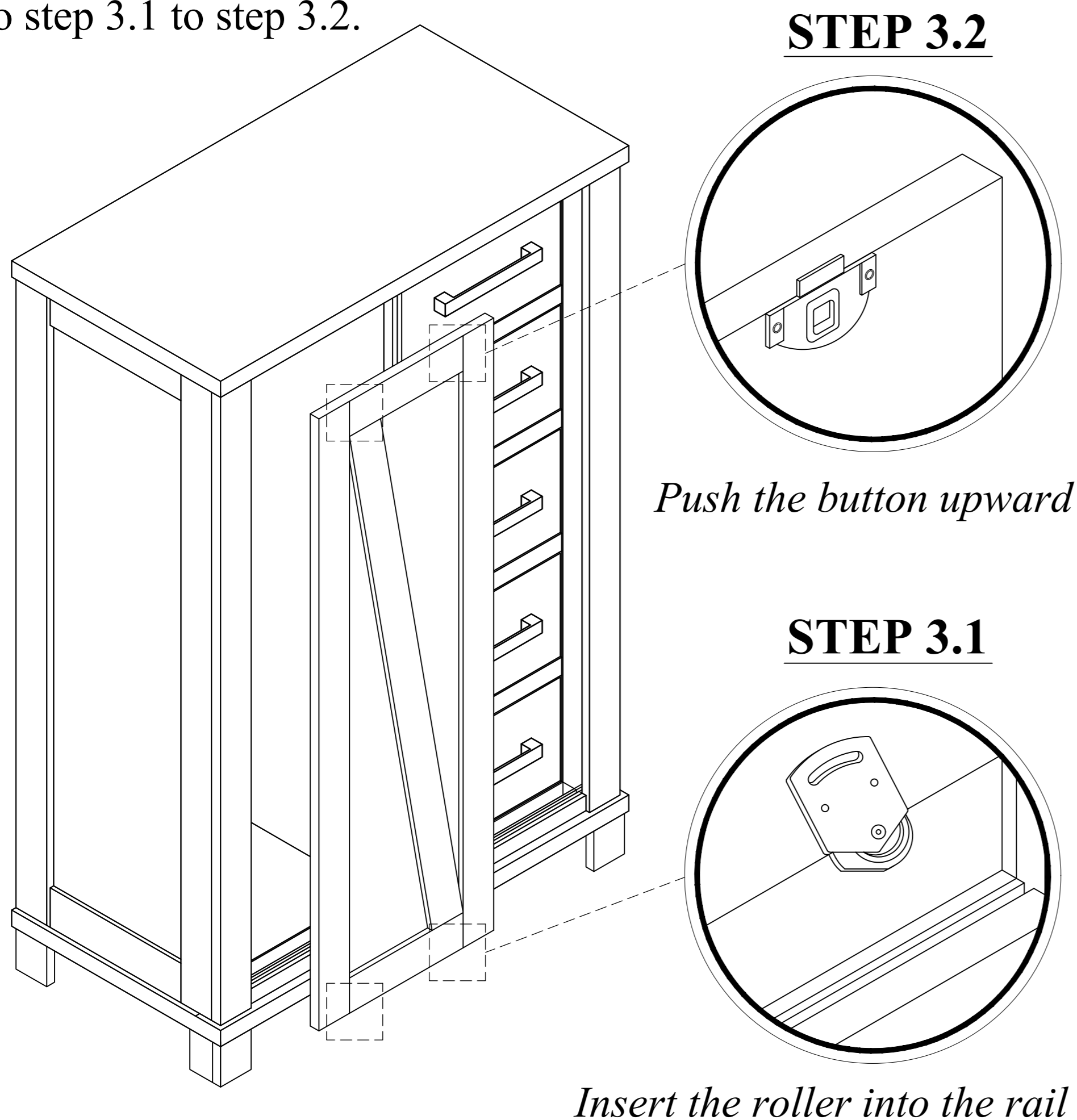
STEP 2

Align & fasten Leg (A) & (B) to chest according to the position left and right follow the label correctly.



STEP 3

Fix the sliding door to the chest according to step 3.1 to step 3.2.



**NOTE : MUST TIGHTEN SCREWS PERIODICALLY WITH USE SCREW WILL BECOME LOOSE.
CHECK TIGHTNESS OF ALL SCREW EVERY 6-8 WEEKS.**