

ASSEMBLY INSTRUCTIONS

MODEL #

CM7579EK

Questions?

GIVE US CALL: 1-888-980-5122
MON-FRI 8:30AM - 5:30PM (PST)

TOOLS REQUIRED



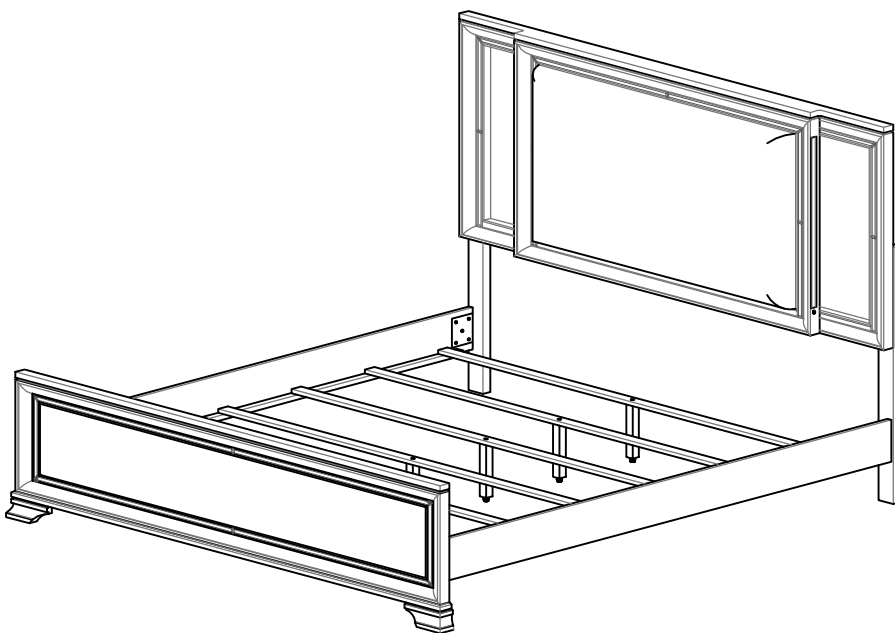
Allen Wrench

(Included)



Phillips
Screwdriver

(Not Included)



**3 - People
Recommended**

ASSEMBLY RATING



EASY → DIFFICULT

The Assembly Rating is a 5-point system showing the level of effort needed to assemble a specific product.



FOA Intro

Thank you for your purchase!


We hope you enjoy this new addition to your home for many years to come.

Our commitment to providing quality products does not simply end when you purchase our product. We fully stand behind our products from start to finish. Our customer service department is available Monday – Friday 8:30 AM – 5:30 PM Pacific and can help with assembly questions as well as, if necessary, replacing damaged or missing parts. To help expedite our service, please have these assembly instructions readily available, along with your order receipt.


 **Consumer Hotline**
Toll-Free 1-888-980-5122

 **WEBSITE**
www.foagroup.com

    foagroup

 **Monday to Friday**
8:30AM- 5:30PM (PST)

 **E-MAIL**
cs.ec@foagroup.com

 FurnitureOfAmerica

CHECK BEFORE STARTING

Are you missing anything?

Double-check all parts, hardware and accessories listed on Page 6 are accounted for.

Should we send any replacements?

Are there any irregularities or flaws in the parts? We can send replacements!

Check out our Quick Tips!

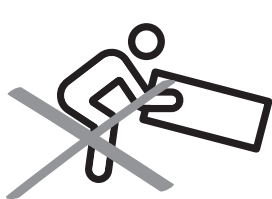
We recommend reviewing the pre-assembly handouts. Even experts need a refresher now and then!

Prep Time!

Please review the assembly instructions and all diagrams prior to assembling. Arrange parts as recommended on Page 7 and group identical hardware together to make assembling easier.

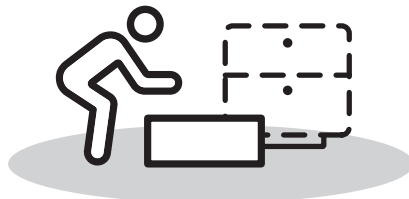
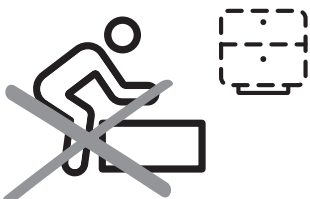
PRE ASSEMBLY INTRODUCTION

We understand building ready-to-assemble furniture can be a challenging experience for some. To help avoid confusion, we have provided some helpful tips that may speed up the process.



Teamwork

ALWAYS have at least two people to help with transporting and assembling the product to avoid potential injury and/or damage.



Suitable Location

Assembling near the area of the intended location is highly recommended.



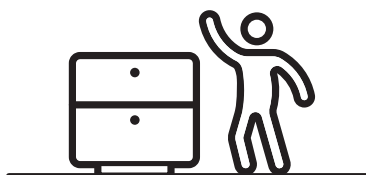
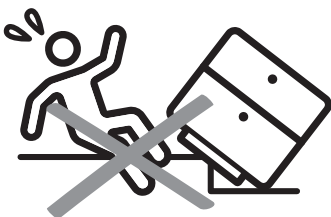
Sufficient Space

Make sure you have enough space to move around during the assembly.



Avoid Scratches

Use cardboard, blankets or a carpeted area while assembling furniture to prevent scratches.



Flat Surface

Make sure the furniture rests on a flat and level surface with each leg evenly touching the floor.

ASSEMBLY AND CARE ADVICE



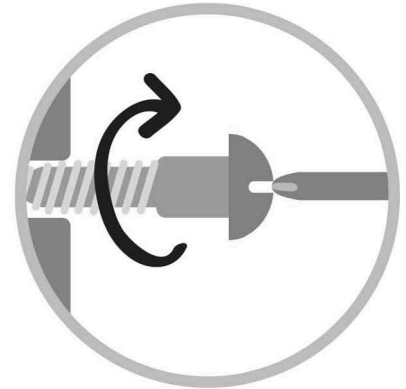
FAILURE TO FOLLOW THE GUIDELINES BELOW MAY RESULT IN INJURY AND/OR PROPERTY DAMAGE.



Position each part correctly and insert screws or bolts into their respective holes.



Use the appropriate hand tools or power tools for assembly. Select steps, such as tightening screws and/or bolts, may require hand tools to avoid causing damage during assembly.



Turn clockwise to tighten and only tighten when step is completed or when instructed to do so.



Save the instructions and store any supplied tools for later maintenance.



After two weeks, check and tighten any loose hardware and repeat again every six months thereafter.

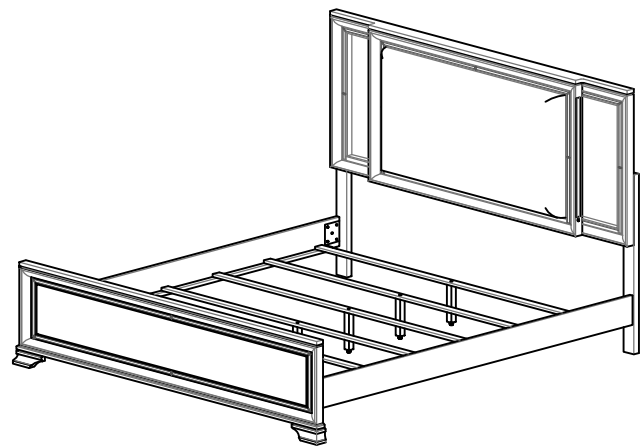
IT IS THE USER'S RESPONSIBILITY TO MAINTAIN THE FURNITURE. THE HARDWARE MAY LOOSEN OVER TIME AND MAY CAUSE THE FURNITURE TO BE WOBBLY AND UNABLE TO SUPPORT ITS INTENDED WEIGHT CAPACITY. THIS MAY LEAD TO COLLAPSE AND MAY CAUSE SERIOUS INJURY.

KING BED

CM7579EK



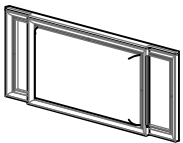
- Please keep instructions for future reference.
- Check the quantity and irregularity of parts and hardware before you start.



PARTS

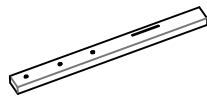
PART LIST OF HEADBOARD

#1 1pc



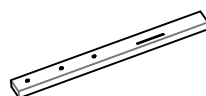
Headboard

#2 1pc



Headboard Leg - (L)

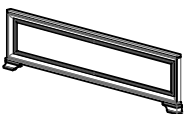
#3 1pc



Headboard Leg - (R)

PART LIST OF FOOTBOARD

#4 1pc



Footboard

PART LIST OF SIDE RAIL

#5 2pcs



Side Rail

#6 5pcs



Slat

#7 5pcs



Slat Support Leg
(190 x 30 x 30)

HARDWARE

HARDWARE PACK IN HEADBOARD

#A 1pc



Allen Key

#B 6pcs



JCBC - M6 x 40mm

#C 6pcs



M6 Spring Washer

#D 6pcs



M6 Flat Washer

#E 1pc



AC Adaptor

HARDWARE PACK IN SIDE RAIL

#F 1pc



Allen Key

#G 5pcs



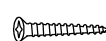
JCBC - M6 x 35mm

#H 5pcs



M6 Spring Washer

#I 10pcs



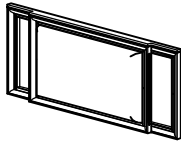


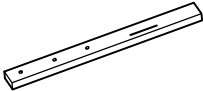


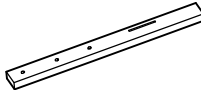







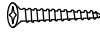
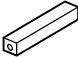
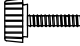
Screw 32mm

#J 5pcs



Adjustable Leveller

CM7579EK POINT 3 CARTONS

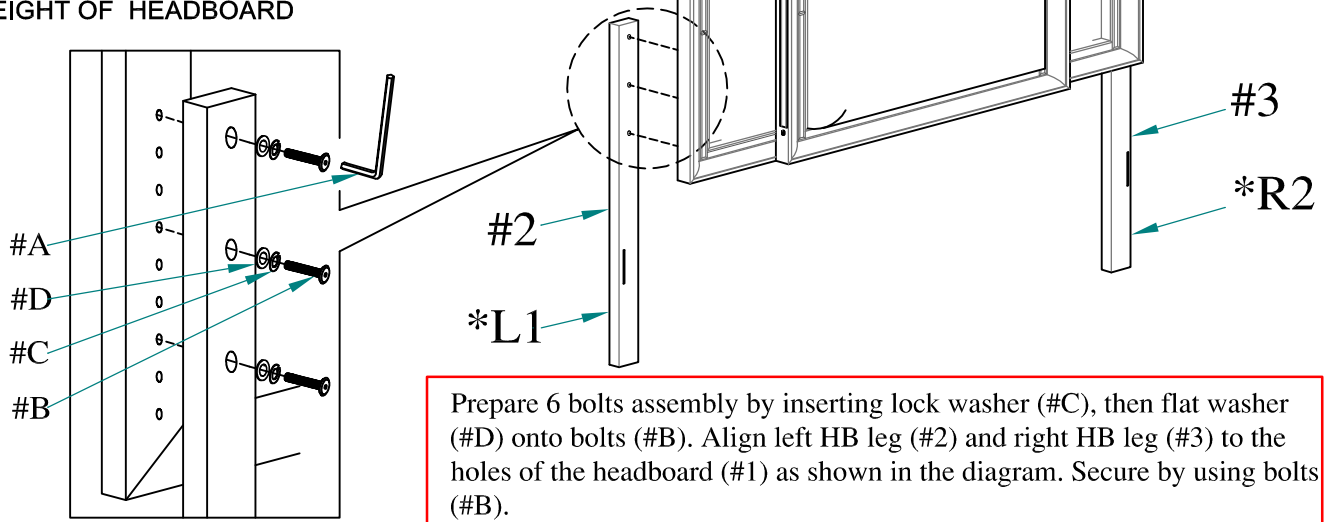
Carton	Designation	Part		Hardware
CM7579EK-HB	Headboard (1pc)	#1		 #A x 1pc  #B x 6pcs
	Headboard Leg - (L) (1pc)	#2		 #C x 6pcs  #D x 6pcs
	Headboard Leg - (R) (1pc)	#3		 #E x 1pc
CM7579EK-FB	Footboard (1pc)	#4		
CM7579EK-R	Side Rail (2pcs)	#5		 #F x 1pc  #G x 5pcs
	Slat (5pcs)	#6		 #H x 5pcs  #I x 10pcs
	Slat Support Leg (5pcs)	#7		 #J x 5pcs

ASSEMBLY INSTRUCTIONS

- 1**
- | | |
|-----------------|----------------------|
| Part (#1) x 1pc | Hardware (#A) x 1pc |
| Part (#2) x 1pc | Hardware (#B) x 6pcs |
| Part (#3) x 1pc | Hardware (#C) x 6pcs |
| | Hardware (#D) x 6pcs |

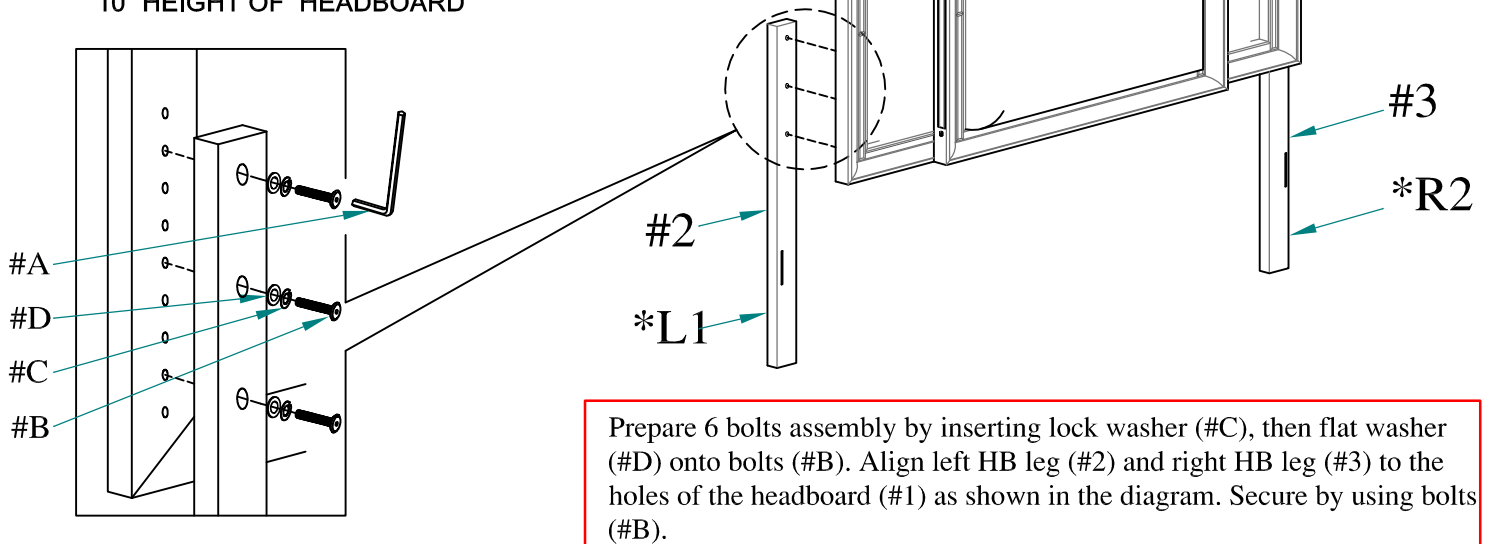
3 OPTIONS HEIGHT POSITION OF HEADBOARD

#OPTION 1 8" HEIGHT OF HEADBOARD



- 2**
- | | |
|-----------------|----------------------|
| Part (#1) x 1pc | Hardware (#A) x 1pc |
| Part (#2) x 1pc | Hardware (#B) x 6pcs |
| Part (#3) x 1pc | Hardware (#C) x 6pcs |
| | Hardware (#D) x 6pcs |

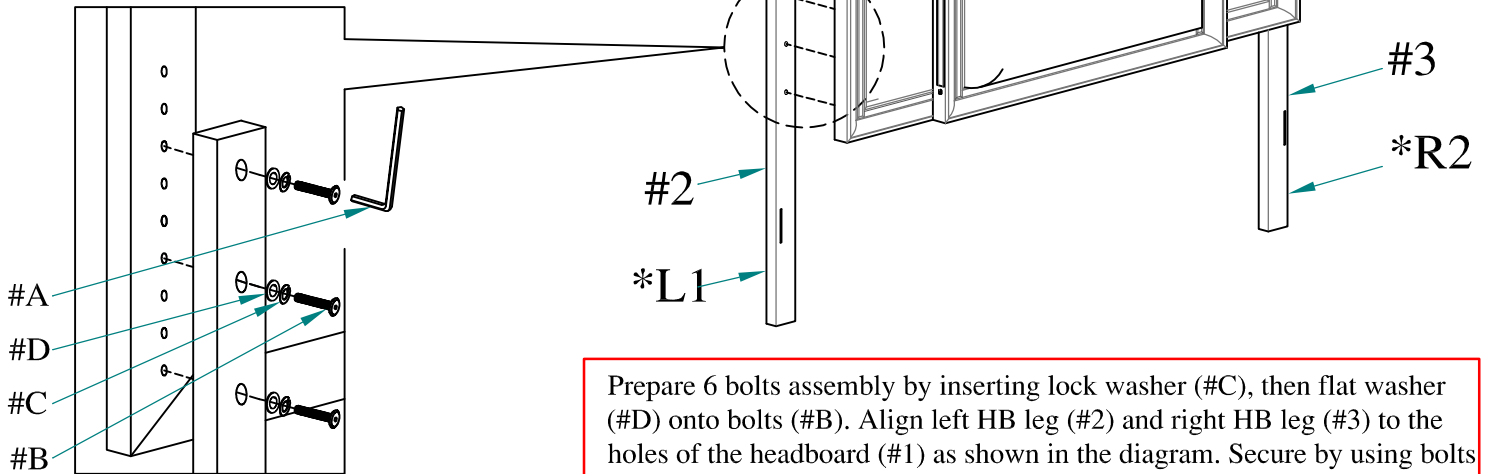
#OPTION 2 10" HEIGHT OF HEADBOARD



ASSEMBLY INSTRUCTIONS

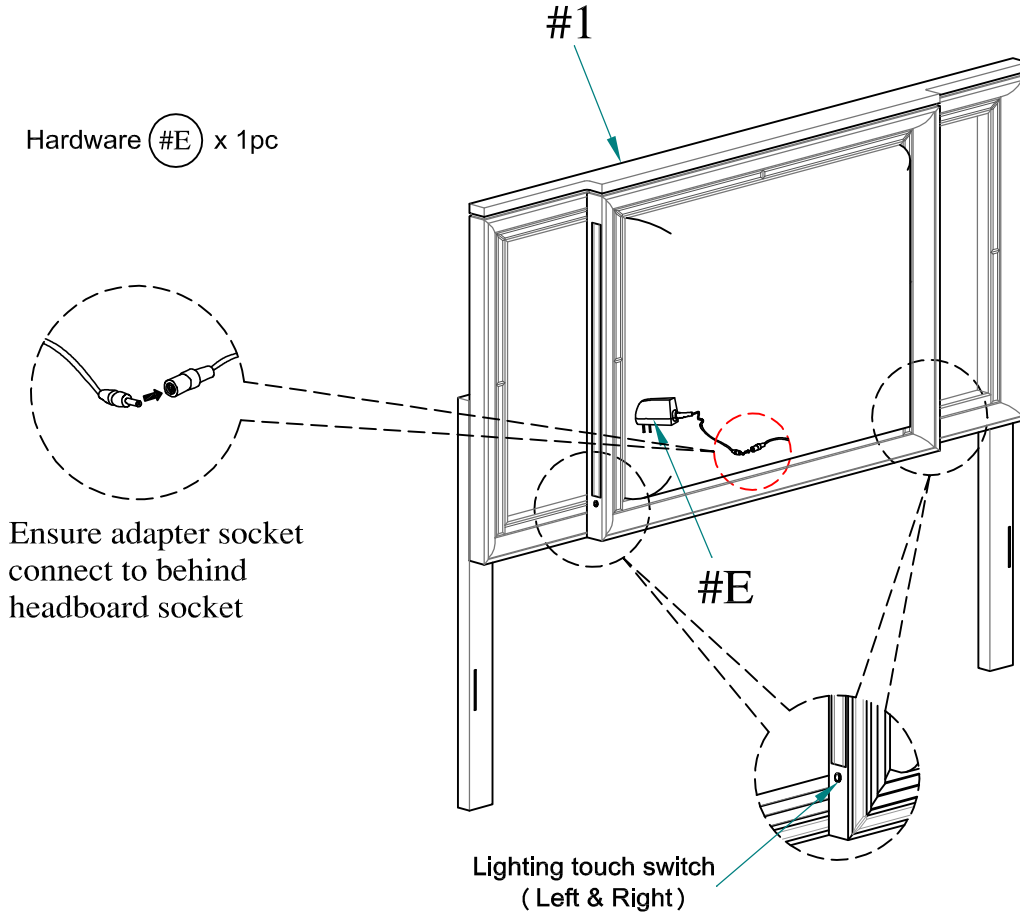
- 3** Part #1 x 1pc Hardware #A x 1pc
 Part #2 x 1pc Hardware #B x 6pcs
 Part #3 x 1pc Hardware #C x 6pcs
 Hardware #D x 6pcs

#OPTION 3
 12" HEIGHT OF HEADBOARD



Prepare 6 bolts assembly by inserting lock washer (#C), then flat washer (#D) onto bolts (#B). Align left HB leg (#2) and right HB leg (#3) to the holes of the headboard (#1) as shown in the diagram. Secure by using bolts (#B).

- 4** Hardware #E x 1pc



ASSEMBLY INSTRUCTIONS

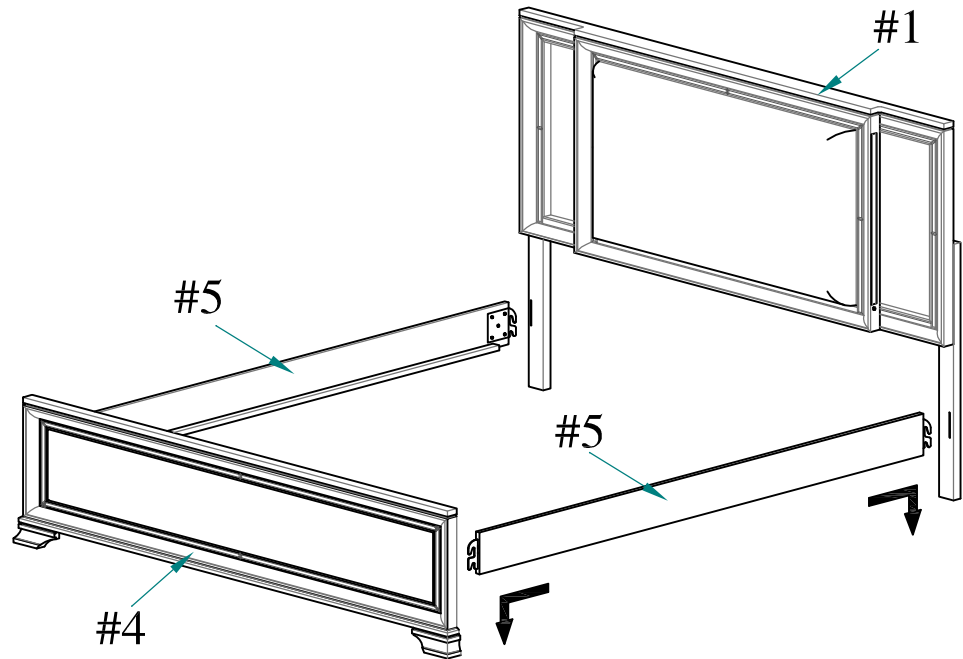
5

Part (#1) x 1pc

Part (#4) x 1pc

Part (#5) x 2pcs

Align and hook side rails (#5) to the latch of the headboard (#1) and footboard (#4). Make sure it is firmly secured.



6

Part (#6) x 3pcs

Part (#7) x 3pcs

Hardware (#F) x 1pc

Hardware (#G) x 5pcs

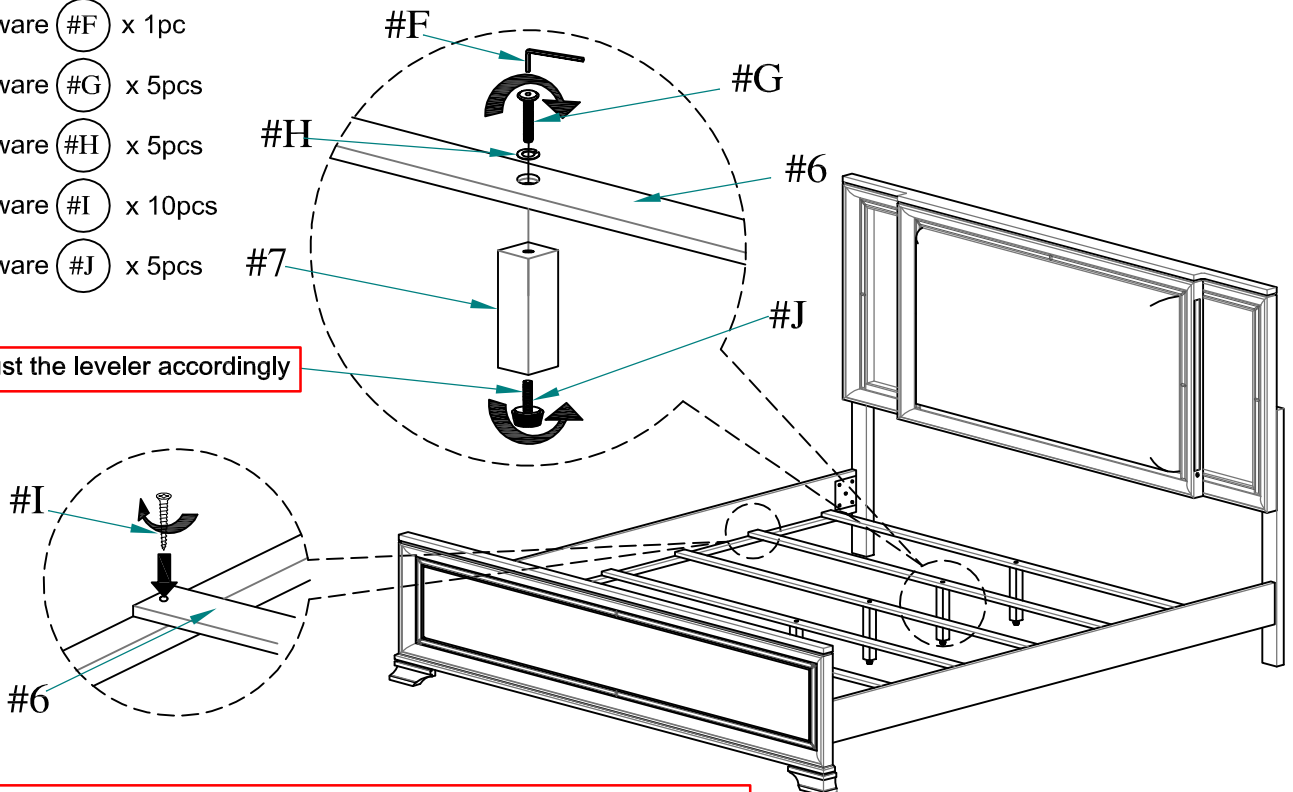
Hardware (#H) x 5pcs

Hardware (#I) x 10pcs

Hardware (#J) x 5pcs

2) Prepare 3 bolts assembly by inserting lock washer (#H) onto bolts (#G). Align slat support legs (#7) to each slat (#6), then secure by using bolts (#G).

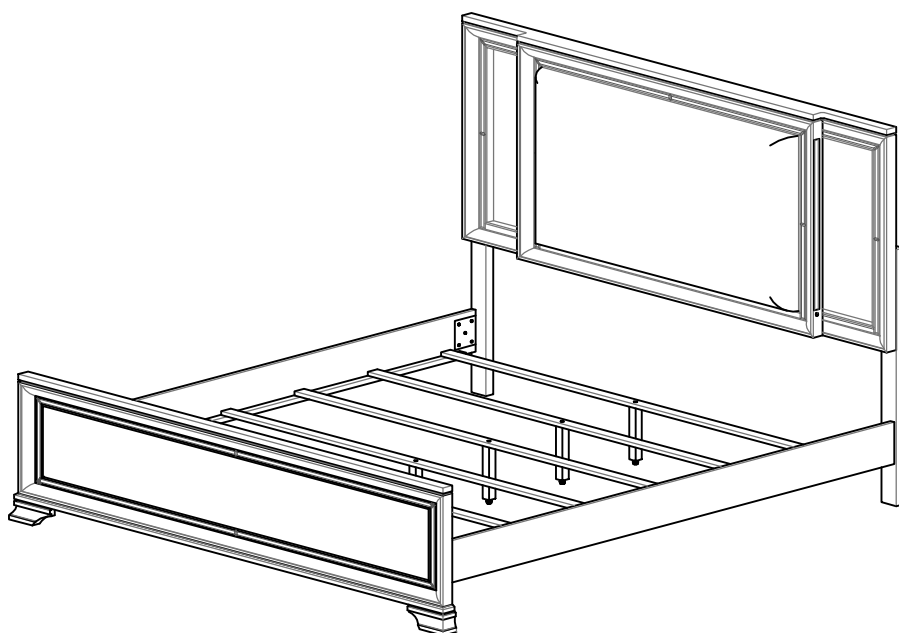
Adjust the leveler accordingly



1) Align slats (#6) to the side rails, then secure by using screws (#I).

ASSEMBLY INSTRUCTIONS

7



ASSEMBLY COMPLETED



Please ensure the furniture rests on an even and flat surface. If the product wobbles or feels loose, double-check all bolts and/or screws are properly tightened and secured.



Keep this handy!

Please retain this instruction manual and any order-related information for future reference.



Lift, don't drag!

To avoid damage to product please always LIFT the product when transporting or adjusting the placement.