



**Furniture of America**<sup>®</sup>

E-Commerce by Enitial Lab

MODEL #

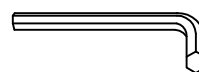
**CM7315Q/EK**

Questions?

GIVE US CALL: 1-888-980-5122  
MON-FRI 8:30AM - 5:30PM (PST)

# ASSEMBLY INSTRUCTIONS

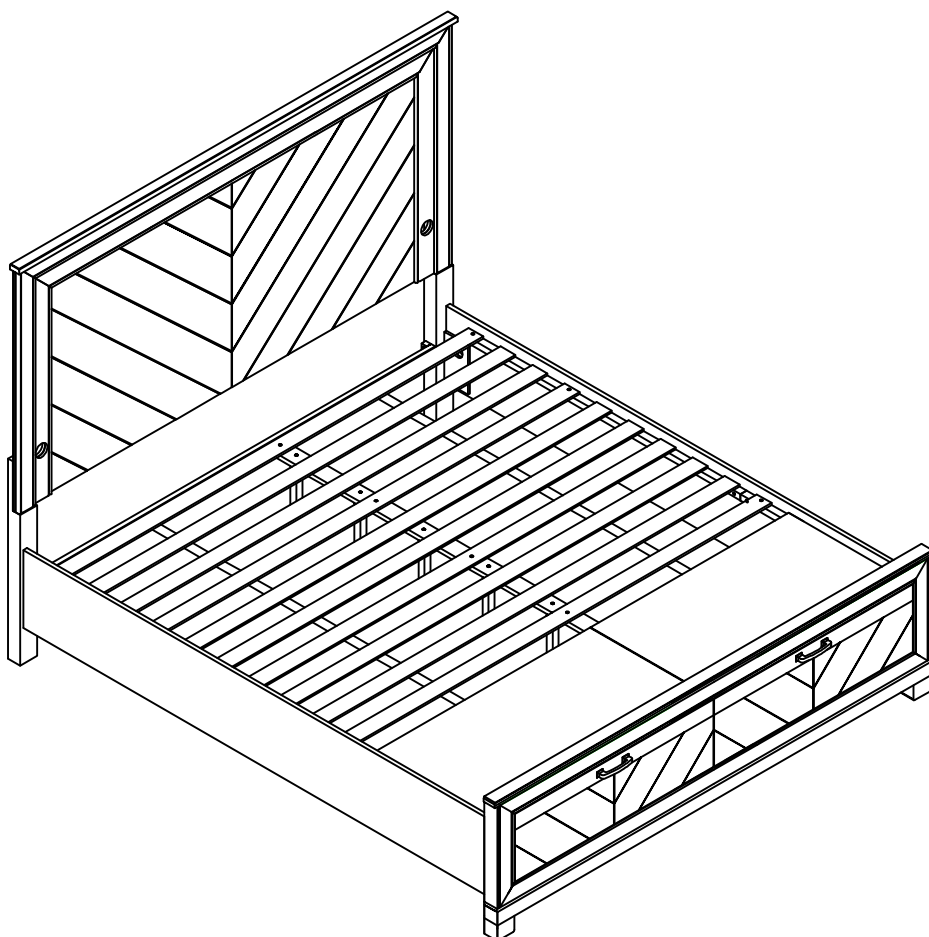
## TOOLS REQUIRED



**Allen Wrench**  
(Included)



**Phillips Screwdriver**  
(Not Included)



3 - People  
Recommended

## ASSEMBLY RATING



EASY —————> DIFFICULT

The Assembly Rating is a 5-point system showing the level of effort needed to assemble a specific product.



FOA Intro

Thank you for your purchase!

We hope you enjoy this new addition to your home for many years to come.

Our commitment to providing quality products does not simply end when you purchase our product. We fully stand behind our products from start to finish. Our customer service department is available Monday – Friday 8:30 AM – 5:30 PM Pacific and can help with assembly questions as well as, if necessary, replacing damaged or missing parts. To help expedite our service, please have these assembly instructions readily available, along with your order receipt.

 **Consumer Hotline**  
Toll-Free 1-888-980-5122

 **WEBSITE**  
[www.foagroup.com](http://www.foagroup.com)

    foagroup

 **Monday to Friday**  
8:30AM- 5:30PM (PST)

 **E-MAIL**  
[cs.ec@foagroup.com](mailto:cs.ec@foagroup.com)

 FurnitureOfAmerica

---

## CHECK BEFORE STARTING

**Are you missing anything?**

Double-check all parts, hardware and accessories listed on Page 6 are accounted for.

**Should we send any replacements?**

Are there any irregularities or flaws in the parts? We can send replacements!

**Check out our Quick Tips!**

We recommend reviewing the pre-assembly handouts. Even experts need a refresher now and then!

**Prep Time!**

Please review the assembly instructions and all diagrams prior to assembling. Arrange parts as recommended on Page 7 and group identical hardware together to make assembling easier.

# PRE ASSEMBLY INTRODUCTION

We understand building ready-to-assemble furniture can be a challenging experience for some. To help avoid confusion, we have provided some helpful tips that may speed up the process.



## Teamwork

ALWAYS have at least two people to help with transporting and assembling the product to avoid potential injury and/or damage.



## Suitable Location

Assembling near the area of the intended location is highly recommended.



## Sufficient Space

Make sure you have enough space to move around during the assembly.



## Avoid Scratches

Use cardboard, blankets or a carpeted area while assembling furniture to prevent scratches.



## Flat Surface

Make sure the furniture rests on a flat and level surface with each leg evenly touching the floor.

# ASSEMBLY AND CARE ADVICE



**FAILURE TO FOLLOW THE GUIDELINES BELOW MAY RESULT IN INJURY AND/OR PROPERTY DAMAGE.**



Position each part correctly and insert screws or bolts into their respective holes.



Turn clockwise to tighten and only tighten when step is completed or when instructed to do so.



Use the appropriate hand tools or power tools for assembly. Select steps, such as tightening screws and/or bolts, may require hand tools to avoid causing damage during assembly.



Save the instructions and store any supplied tools for later maintenance.



After two weeks, check and tighten any loose hardware and repeat again every six months thereafter.

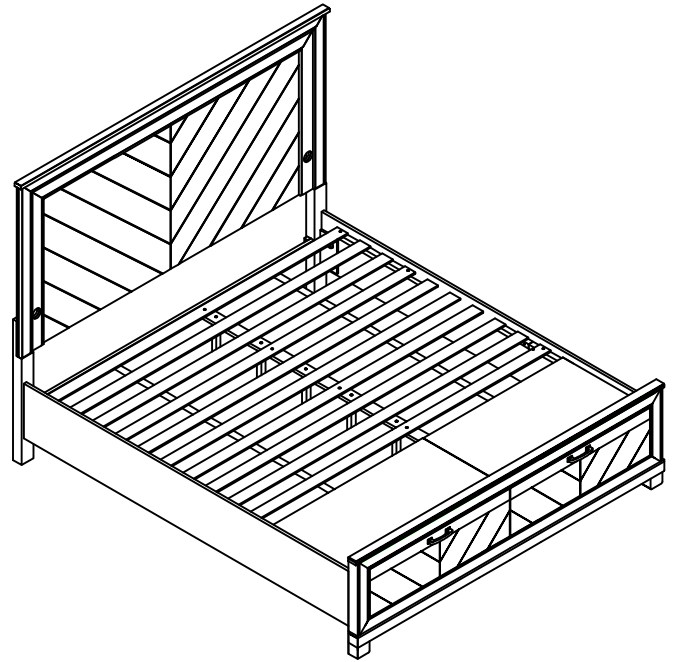
**IT IS THE USER'S RESPONSIBILITY TO MAINTAIN THE FURNITURE. THE HARDWARE MAY LOOSEN OVER TIME AND MAY CAUSE THE FURNITURE TO BE WOBBLY AND UNABLE TO SUPPORT ITS INTENDED WEIGHT CAPACITY. THIS MAY LEAD TO COLLAPSE AND MAY CAUSE SERIOUS INJURY.**

# BED

CM7315Q/EK



- Please keep instructions for future reference.
- Check the quantity and irregularity of parts and hardware before you start.



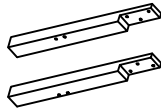
## PARTS

#1 1pc



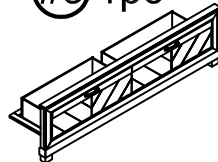
Headboard Panel

#2 2pcs



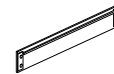
HB Leg (L&R)

#3 1pc



Footboard

#4 2pcs



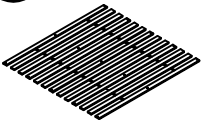
Side Rail

#5 1pc



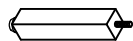
HB Support

#6 1Set



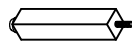
Bed Slat (13pcs)

#7 2pcs



Support Leg  $\text{Ø}\frac{1}{4}$ "  
28 x 28 x 170m

#8 5pcs



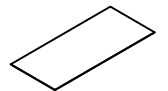
Support Leg  $\text{Ø}\frac{1}{4}$ "  
28 x 28 x 390m

#9 1pc



Slat center Support

#10 2pcs



Dusty Panel

## HARDWARE

#A 12pcs



Bolt  
 $\text{Ø}\frac{5}{16}$ " x 2"

#B 12pcs



Lock Washer  
 $\text{Ø}\frac{5}{16}$ "

#C 12pcs



Flat Washer  
 $\text{Ø}\frac{5}{16}$ "

#D 1pc



Allen Wrench  
4mm

#E 15pcs



Screw  
#4 x 1-3/16"

#F 8pcs



Threaded Pins  
 $\text{Ø}\frac{5}{16}$ " x 3-1/2"

#G 8pcs



Hex Nut  
 $\text{Ø}\frac{5}{16}$ "

#H 1pc

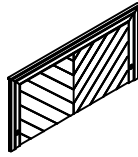




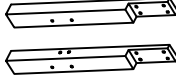

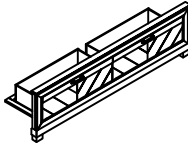
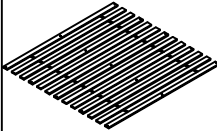
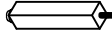
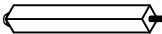

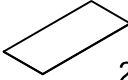
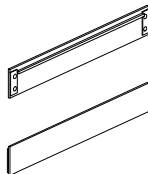
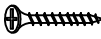






Wrench  
12mm

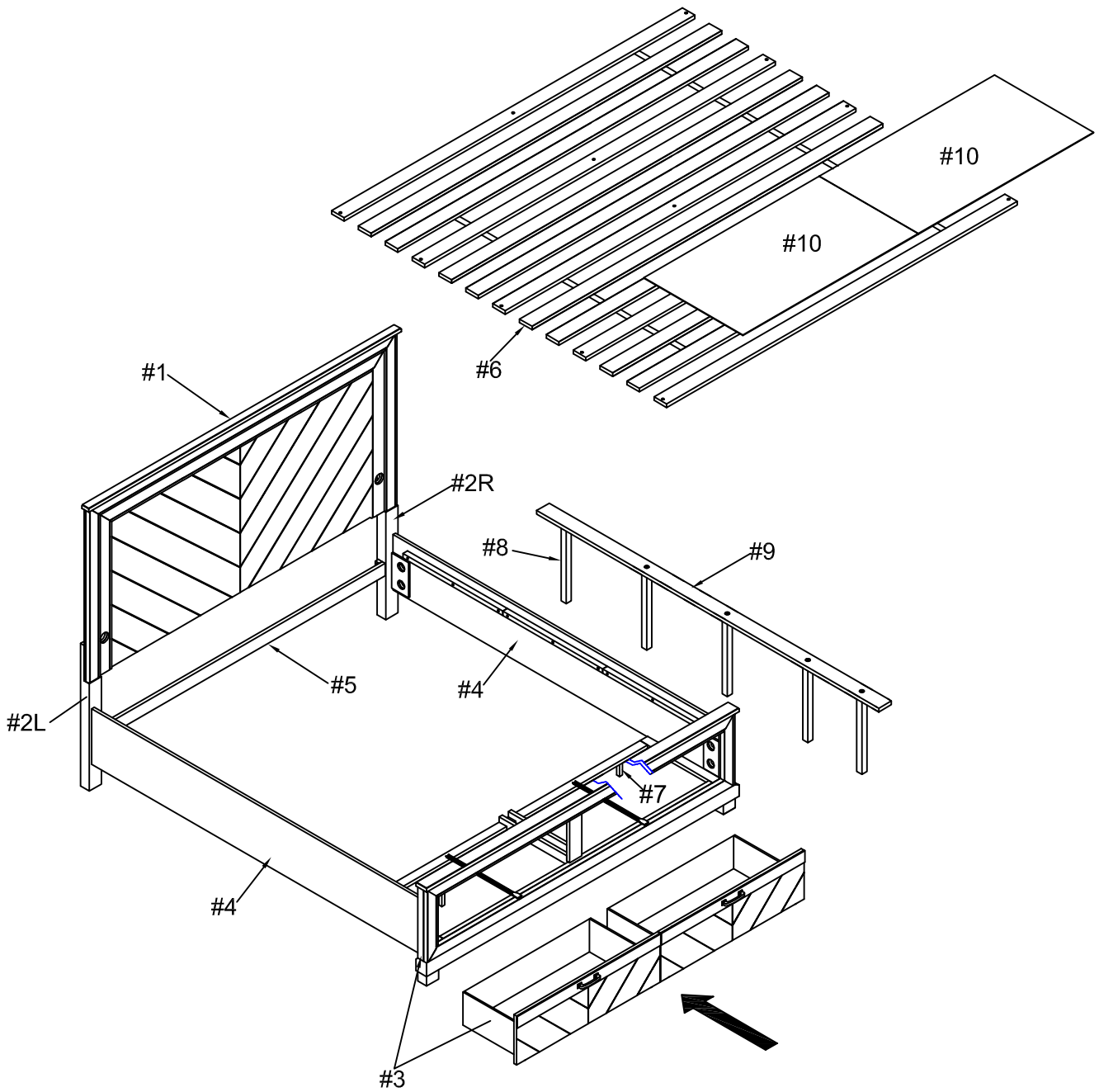
#I 8pcs



## CM7315Q/EK is packed in 3 cases

Carton	Disignation		Part	Hardware
CM7315Q/EK -HB	Headboard Panel	#1		 #A 12pcs  #B 12pcs  #C 12pcs  #D 1pc
	HB Leg (L&R)	#2		
	HB Support	#5		
CM7315Q/EK -FB	Footboard	#3		
	Bed Slat (13pcs)	#6		
	Support Leg $\varnothing\frac{1}{4}$ " 28 x 28 x 170m	#7	 2pcs	
	Support Leg $\varnothing\frac{1}{4}$ " 28 x 28 x 390m	#8	 5pcs	
	Slat Center Support	#9		
	Dusty Panel	#10	 2pcs	
CM7315Q/EK -R	Side Rail	#4		 #E 15pcs  #F 8pcs  #G 8pcs  #H 1pc  #I 8pcs

# Exploded View



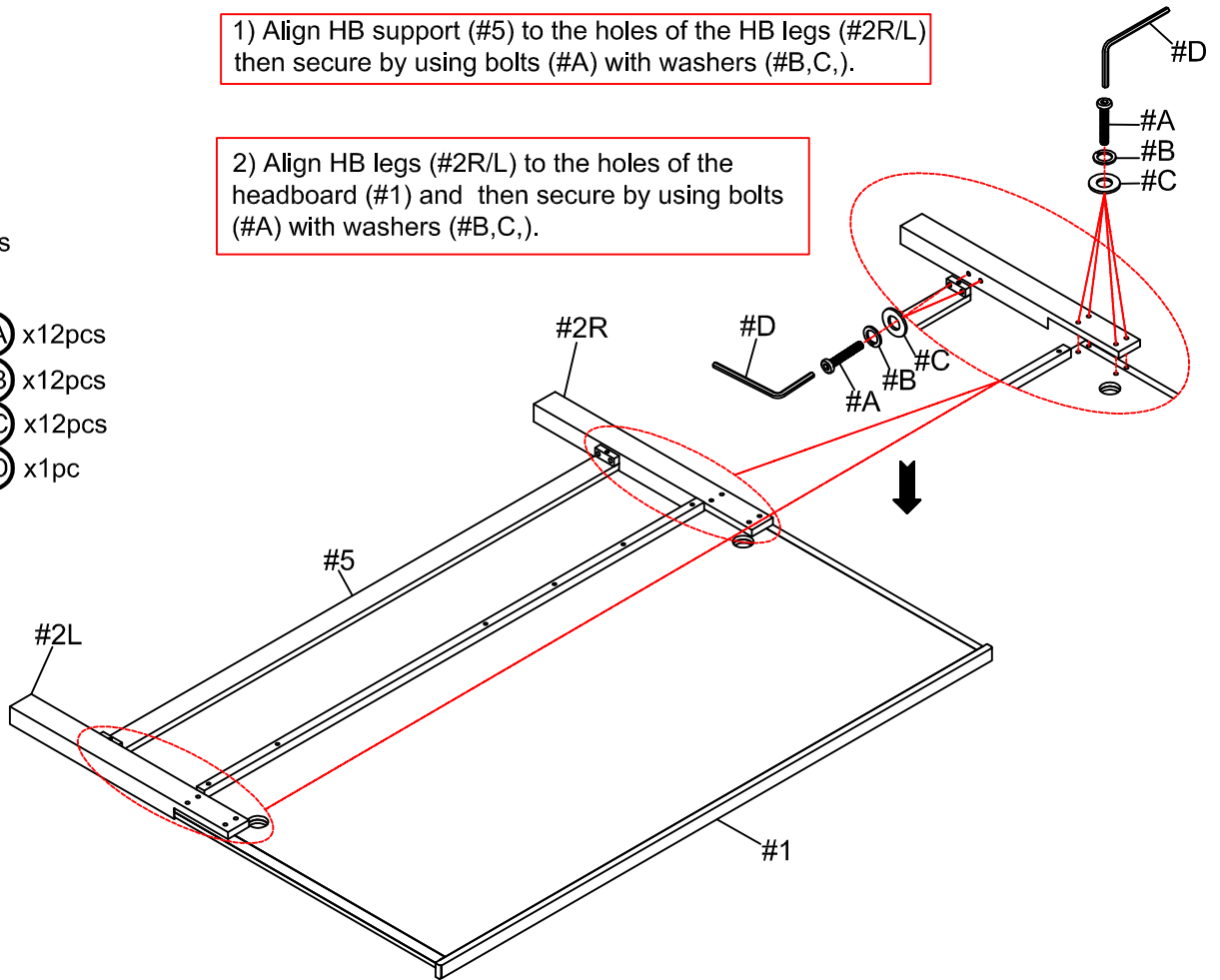
# ASSEMBLY INSTRUCTIONS

## 1

- Part #1 x1pc
- Part #2 x2pcs
- Part #5 x1pc
- Hardware #A x12pcs
- Hardware #B x12pcs
- Hardware #C x12pcs
- Hardware #D x1pc

1) Align HB support (#5) to the holes of the HB legs (#2R/L) then secure by using bolts (#A) with washers (#B,C,).

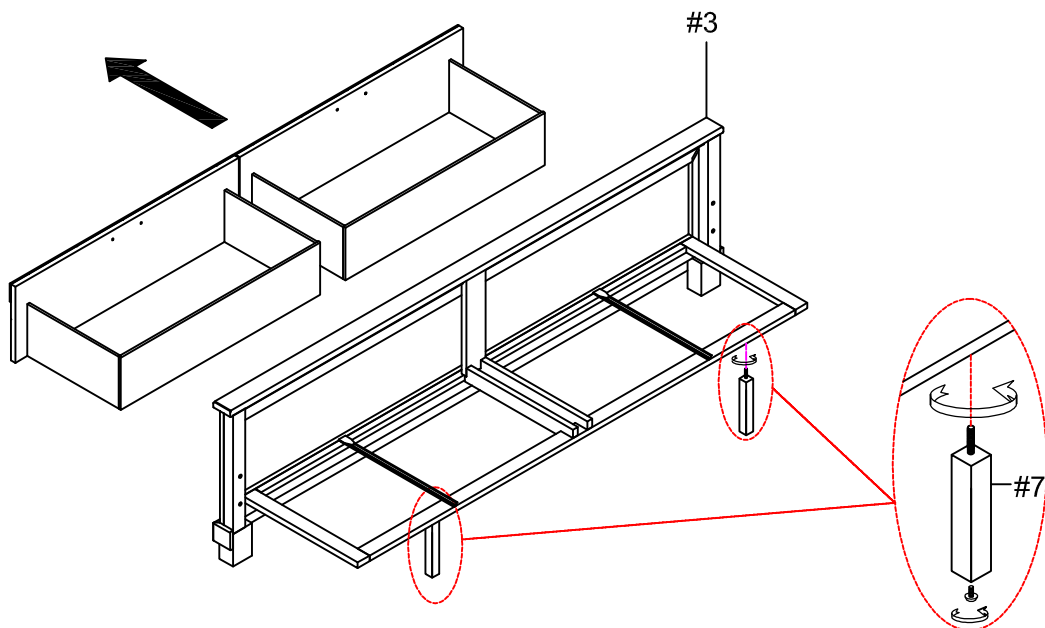
2) Align HB legs (#2R/L) to the holes of the headboard (#1) and then secure by using bolts (#A) with washers (#B,C,).



## 2

- Part #7 x 2pcs

Use a small amount of force to pull the drawer out from the footboard (#3)



Attach support legs (#7) to the holes of the footboard (#3). Adjust leveler on the support legs (#7) according to ground level.



# ASSEMBLY INSTRUCTIONS

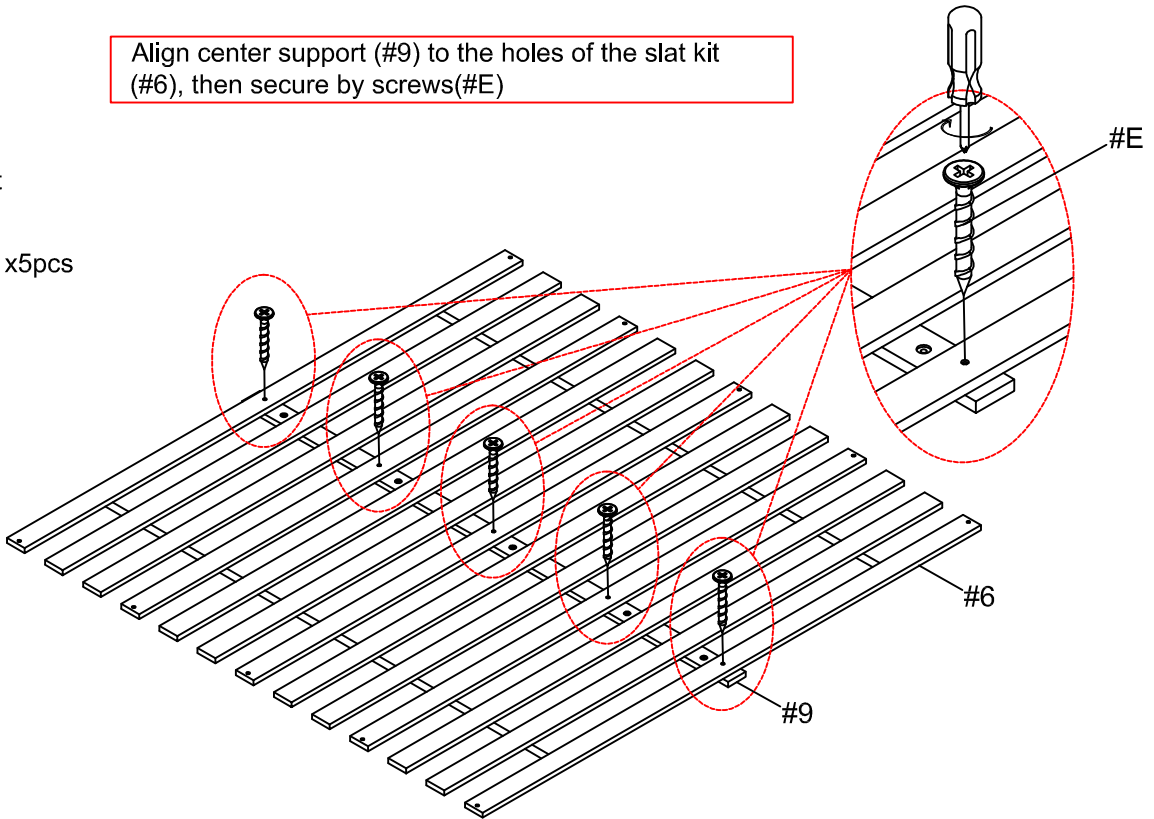
## 3

Part #6 x1Set

Part #9 x1pc

Hardware #E x5pcs

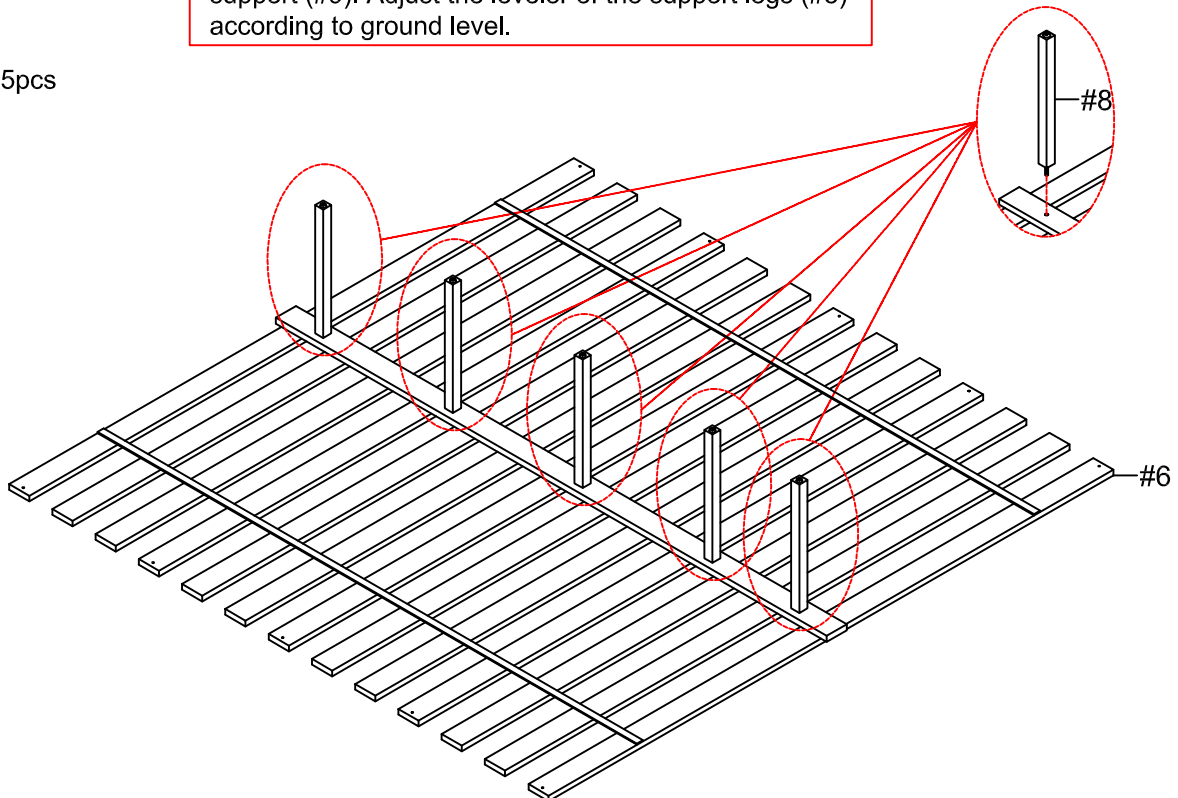
Align center support (#9) to the holes of the slat kit (#6), then secure by screws(#E)



## 4

Part #8 x5pcs

Attach slat support leg (#8) to the holes of the slat center support (#9). Adjust the leveler of the support legs (#8) according to ground level.

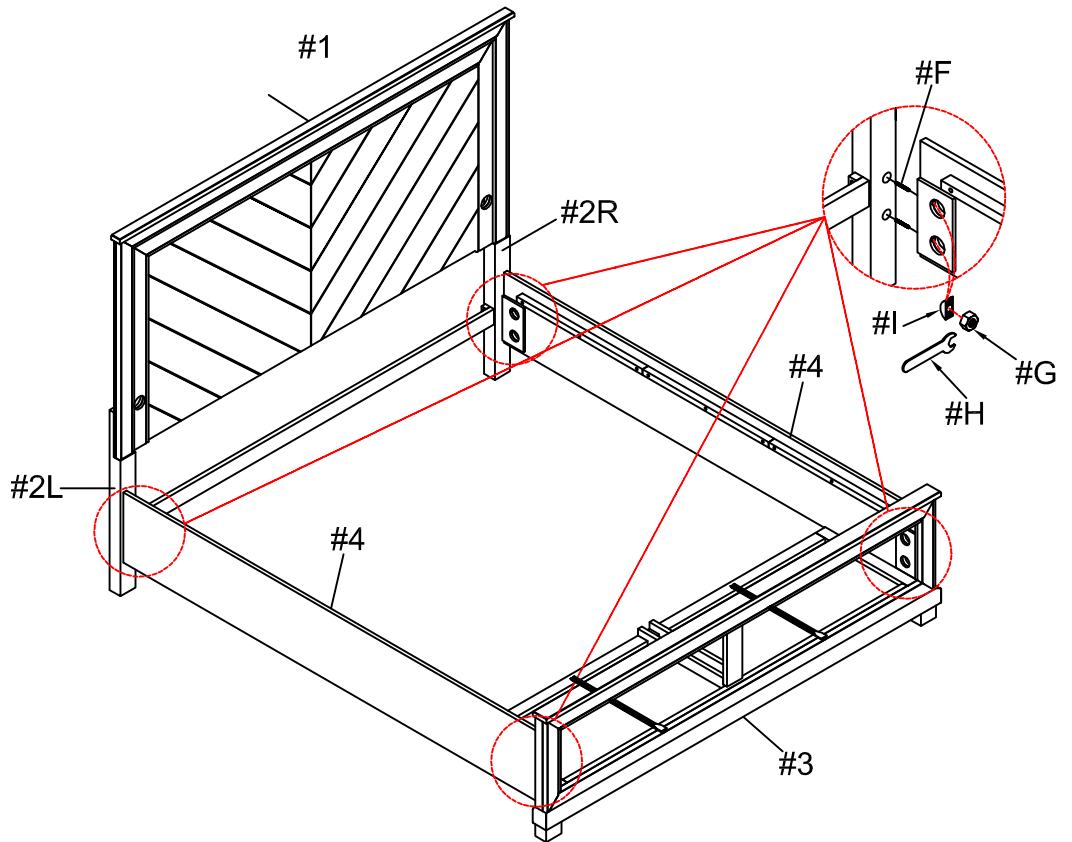


# ASSEMBLY INSTRUCTIONS

Attach threaded studs (#F) to the holes of the headboard legs (#2R/L) and footboard (#3), then align side rails (#4) to the threaded studs (#F) of the headboard legs (#2R/L) and footboard (#3). Secure by using washers (#I) and hex nuts (#G).

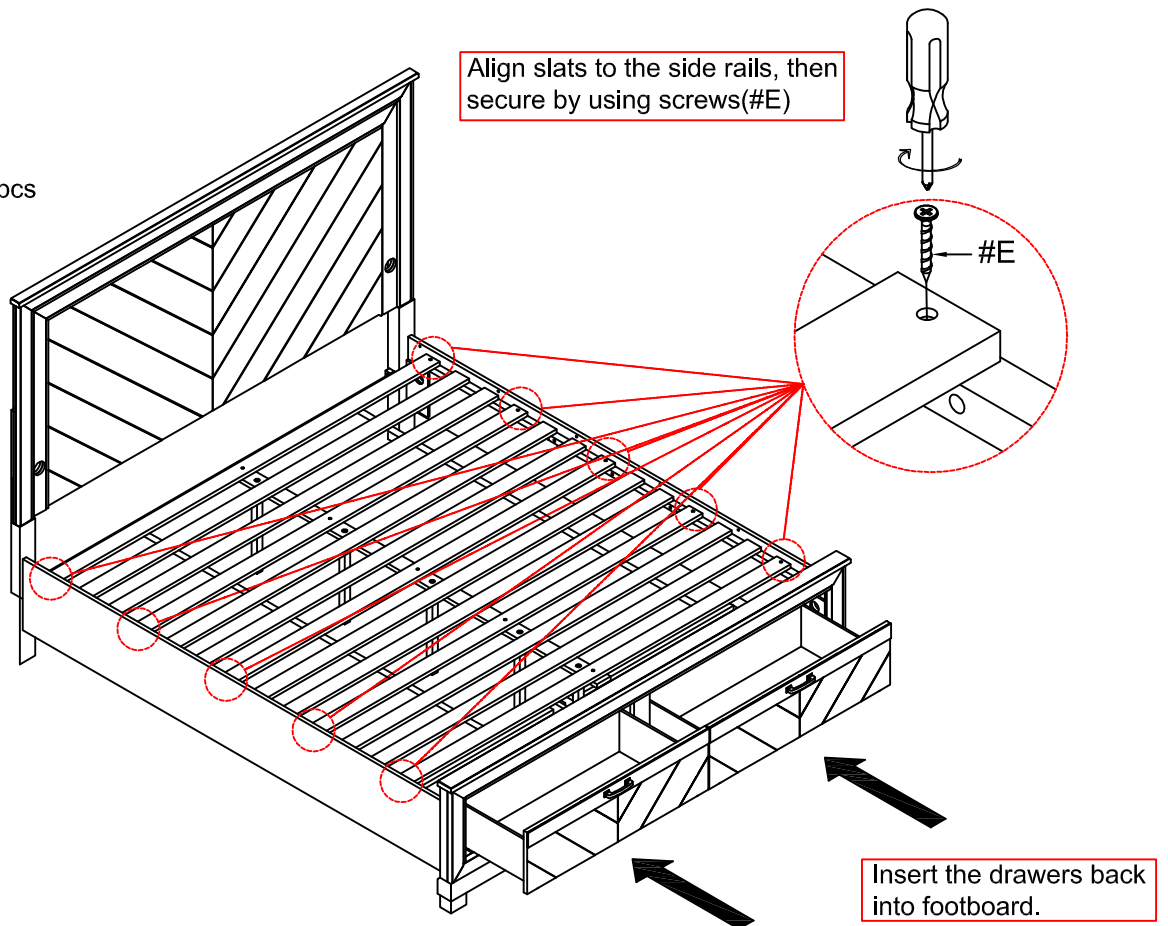
## 5

- Part (#4) x2pcs
- Hardware (#F) x8pcs
- Hardware (#G) x8pcs
- Hardware (#H) x1pc
- Hardware (#I) x8pcs



## 6

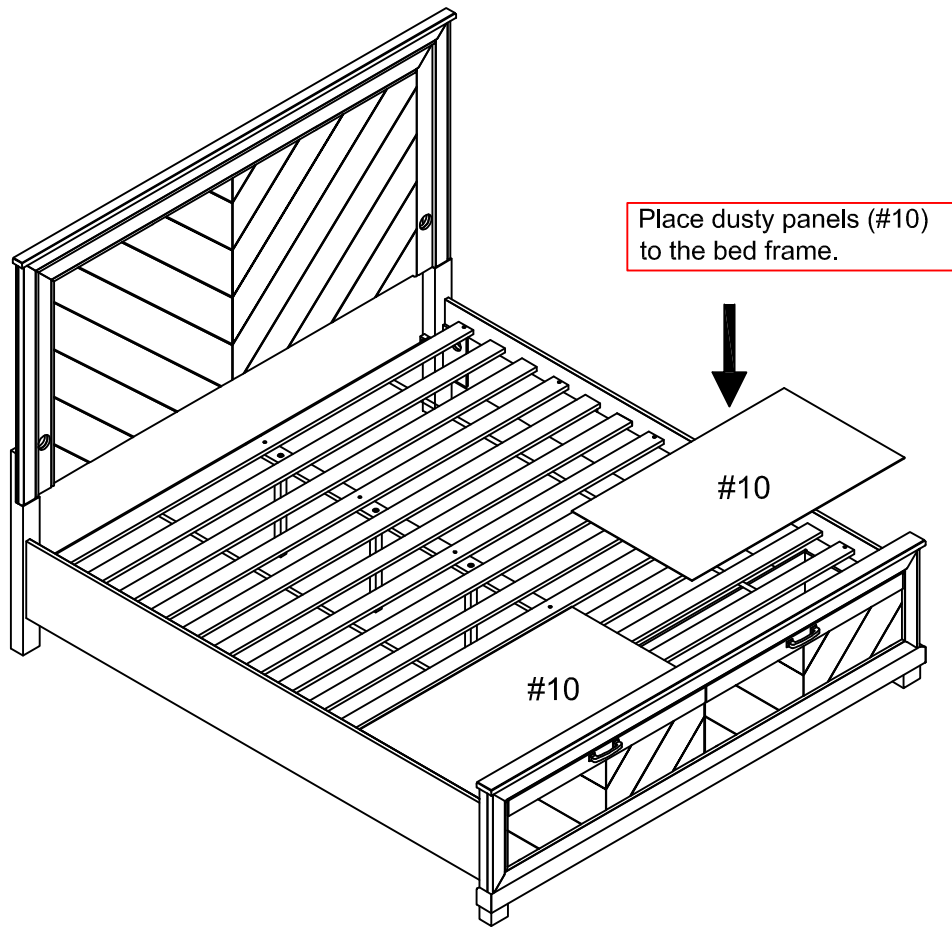
- Hardware (#E) x10pcs



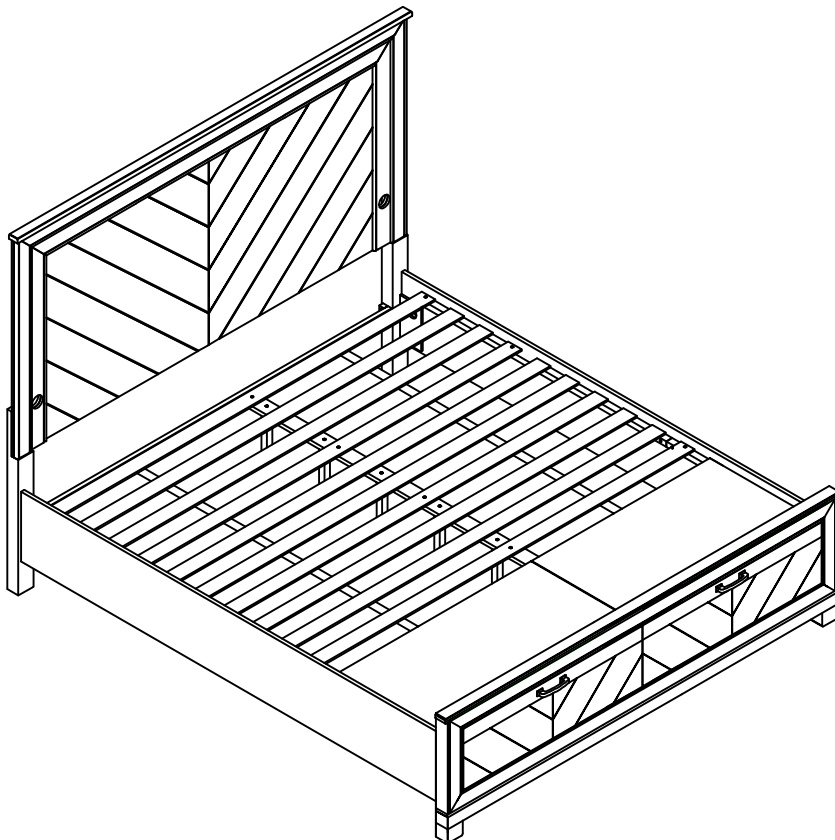
# ASSEMBLY INSTRUCTIONS

7

Part #10 x2pcs



8



## ASSEMBLY COMPLETED



Please ensure the furniture rests on an even and flat surface. If the product wobbles or feels loose, double-check all bolts and/or screws are properly tightened and secured.



### Keep this handy!

Please retain this instruction manual and any order-related information for future reference.



### Lift, don't drag!

To avoid damage to product please always LIFT the product when transporting or adjusting the placement.