



Furniture of America®

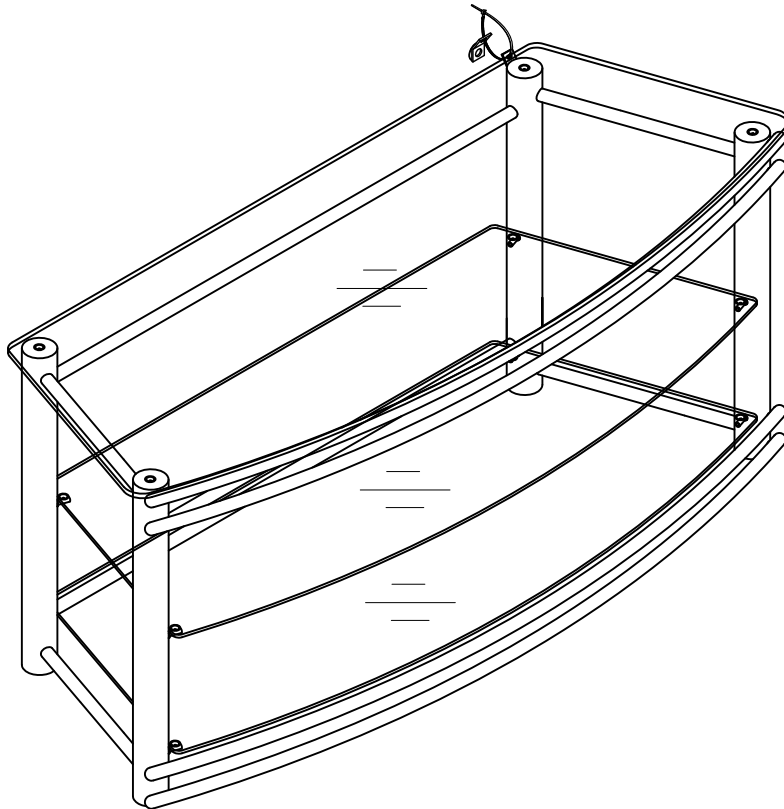
ASSEMBLY INSTRUCTIONS

MODEL #

CM5510-TV

Questions?

GIVE US A CALL: 1-888-980-5122
MON – FRI 8:30AM – 5:30PM (PT)



TOOLS REQUIRED



Allen Wrench
(Included)

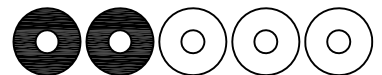


Phillips
Screwdriver
(Not Included)



2 - People
Recommended

ASSEMBLY RATING



EASY —————> DIFFICULT

The Assembly Rating is a 5-point system showing the level of effort needed to assemble a specific product.




FOA Intro

Thank you for your purchase!


We hope you enjoy this new addition to your home for many years to come.

Our commitment to providing quality products does not simply end when you purchase our product. We fully stand behind our products from start to finish. Our customer service department is available Monday – Friday 8:30 AM – 5:30 PM Pacific Time and can help with assembly questions as well as, if necessary, replacing damaged or missing parts. To help expedite our service, please have these assembly instructions readily available, along with your order receipt.


 **Consumer Hotline**
Toll-Free 1-888-980-5122

 **WEBSITE**
www.foagroup.com

    foagroup

 **Monday to Friday**
8:30AM- 5:30PM (PT)

 **E-MAIL**
cs.ec@foagroup.com

 FurnitureOfAmerica

CHECK BEFORE STARTING

Are you missing anything?
Double-check all parts, hardware and accessories listed are all accounted for.

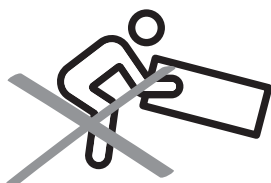
Should we send any replacements?
Are there any irregularities or flaws in the parts? We can send replacements!

Check out our Quick Tips!
We recommend reviewing the pre-assembly handouts. Even experts need a refresher now and then!

Prep Time!
Please review the assembly instructions and all diagrams prior to assembling.

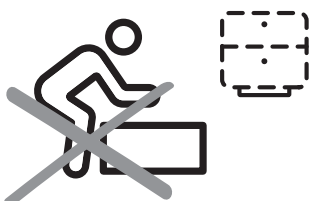
PRE ASSEMBLY INTRODUCTION

We understand building ready-to-assemble furniture can be a challenging experience for some. To help avoid confusion, we have provided some helpful tips that may speed up the process.



Teamwork

ALWAYS have at least two people to help with transporting and assembling the product to avoid potential injury and/or damage.



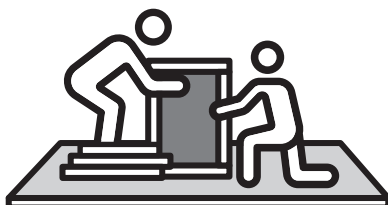
Suitable Location

Assembling near the area of the intended location is highly recommended.



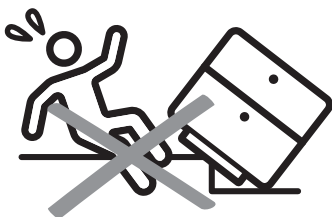
Sufficient Space

Make sure you have enough space to move around during the assembly.



Avoid Scratches

Use cardboard, blankets or a carpeted area while assembling furniture to prevent to prevent scratches and damages.



Flat Surface

Make sure the furniture rests on a flat and level surface with each leg evenly touching the floor.

ASSEMBLY AND CARE ADVICE



FAILURE TO FOLLOW THE GUIDELINES BELOW MAY RESULT IN INJURY AND/OR PROPERTY DAMAGE.



Position each part correctly and insert screws or bolts into their respective holes.



Turn clockwise to tighten and only tighten when step is completed or when instructed to do so.



Use the appropriate hand tools or power tools for assembly. Select steps, such as tightening screws and/or bolts, may require hand tools to avoid causing damage during assembly.



Save the instructions and store any supplied tools for later maintenance.



After two weeks, check and tighten any loose hardware and repeat again every six months thereafter.

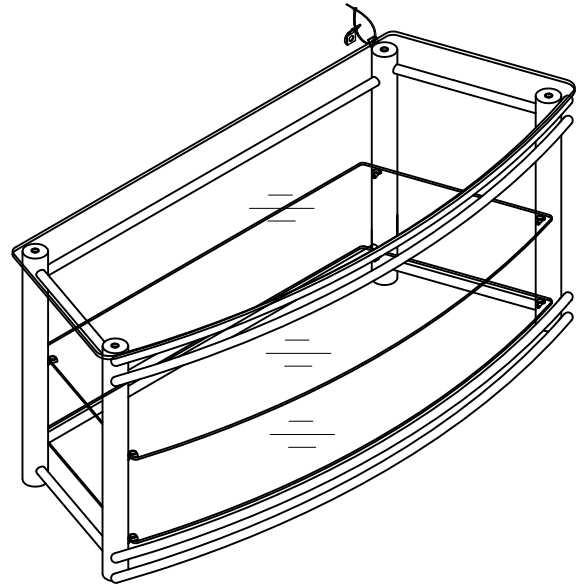
IT IS THE USER'S RESPONSIBILITY TO MAINTAIN THE FURNITURE. THE HARDWARE MAY LOOSEN OVER TIME AND MAY CAUSE THE FURNITURE TO BE WOBBLY AND UNABLE TO SUPPORT ITS INTENDED WEIGHT CAPACITY. THIS MAY LEAD TO COLLAPSE AND MAY CAUSE SERIOUS INJURY.

TV STAND

CM5510-TV

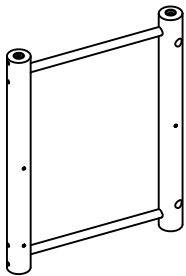


- Please keep instructions for future reference.
- Check the quantity and irregularity of parts and hardware before you start.



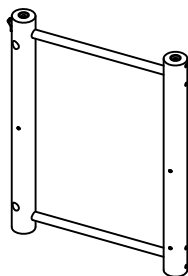
PARTS

#1 1pc



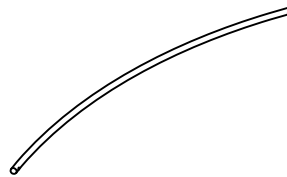
Left Panel

#2 1pc



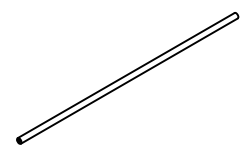
Right Panel

#3 4pcs



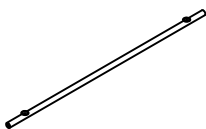
Front Cross Bar

#4 1pc



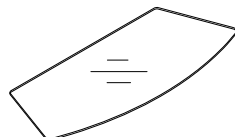
Back upper Cross Bar

#5 1pc



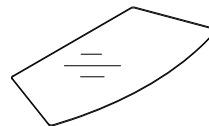
Back upper Cross Bar

#6 1pc



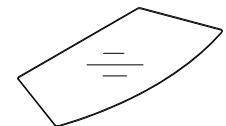
Top Glass

#7 1pc



Middle Glass

#8 1pc



Bottom Glass

HARDWARE

#A 8pcs



Bolt $\phi 1/4$ "x2-1/2"

#B 4pcs



Bolt $\phi 1/4$ "x7/8"

#C 6pcs



Mandrel screw
1/4"x1-3/16"

#D 6pcs



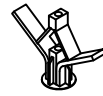
Suction cup

#E 1pc



Bracket

#F 1pc



Anchors

#G 1pc



Restraint strap
(280mm)

#H 1pc



Screw
(M4x37mm - White)

#I 1pc



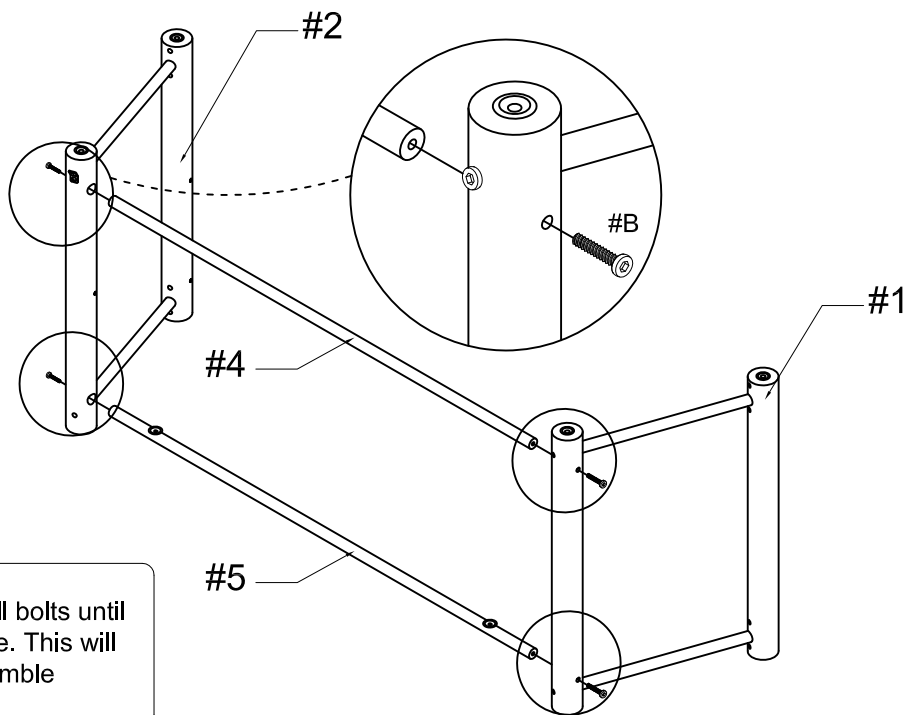
Allen key
(4x22x60mm - Black)

ASSEMBLY INSTRUCTIONS

1

- Part #1 x1pc
- Part #2 x1pc
- Part #4 x1pc
- Part #5 x1pc
- Hardware #B x4pcs
- Hardware #I x1pc

Align the back cross bars (#4,5) to side panels (#1,2), then secure by using bolts (#B).

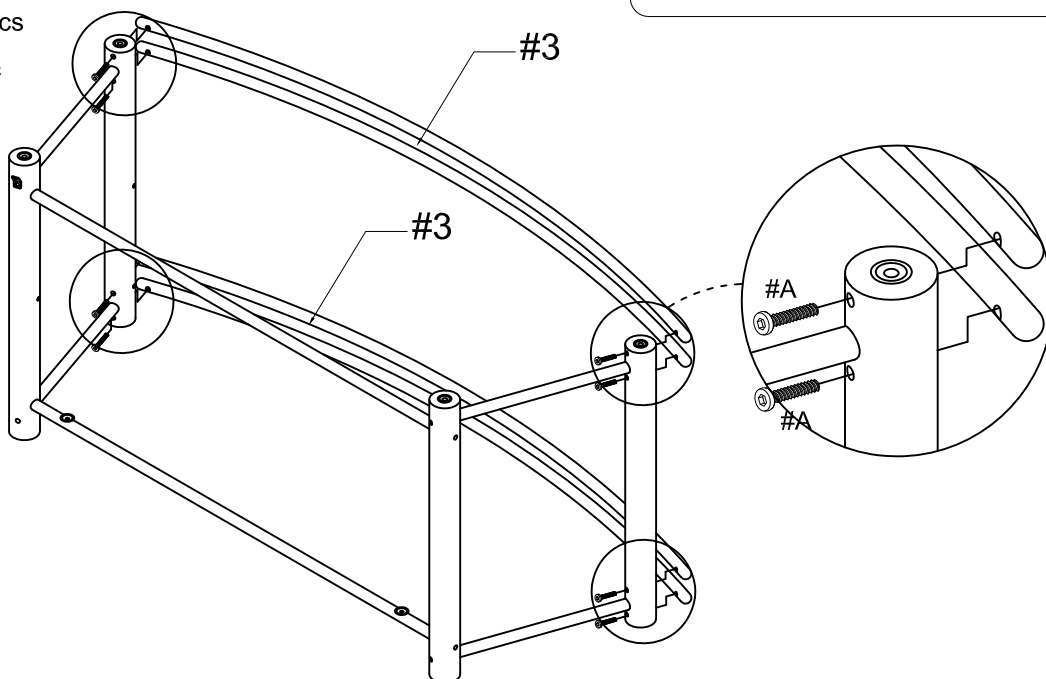


Note:
Do not fully tighten all bolts until assembly is complete. This will help all parts to assemble properly.

2

- Part #3 x4pcs
- Hardware #A x8pcs
- Hardware #I x1pc

Align the front rails (#3) to side panels (#1,2), then secure by using bolts (#A).



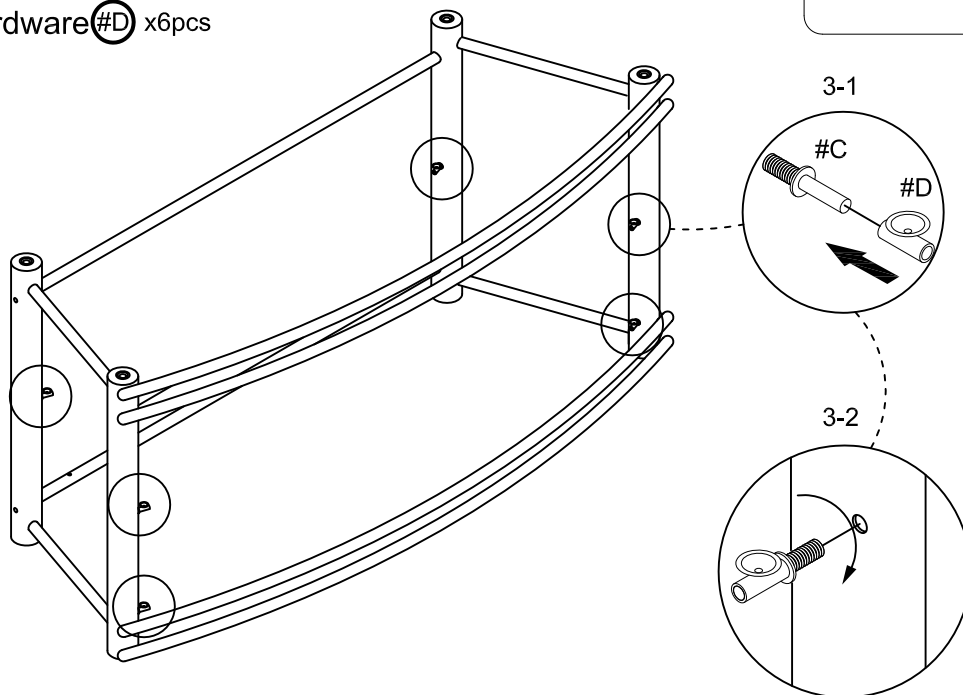
ASSEMBLY INSTRUCTIONS

3

Hardware #C x6pcs

Hardware #D x6pcs

Align the suction cups (#D) to mandrel screws (#C), then secure into side panels (#1,2).



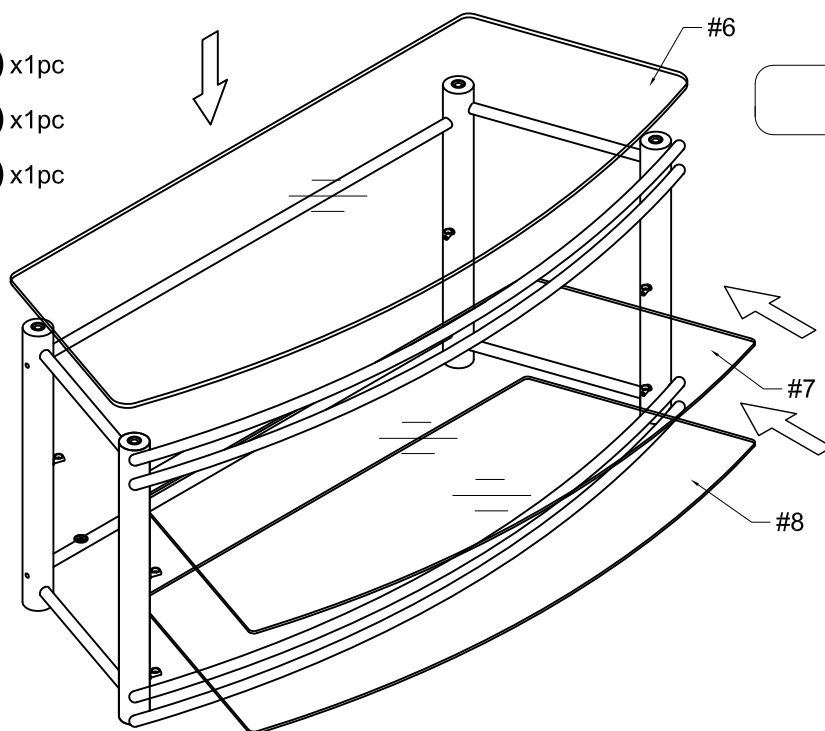
4

Part #6 x1pc

Part #7 x1pc

Part #8 x1pc

Place the glasses (#6,7,8).



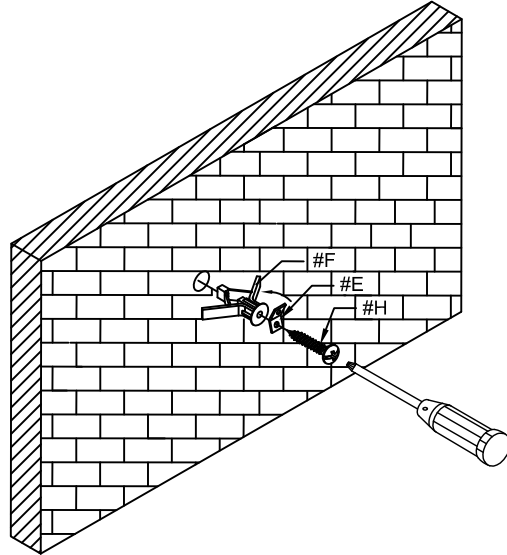
ASSEMBLY INSTRUCTIONS

5

Hardware **#E** x1pc

Hardware **#F** x1pc

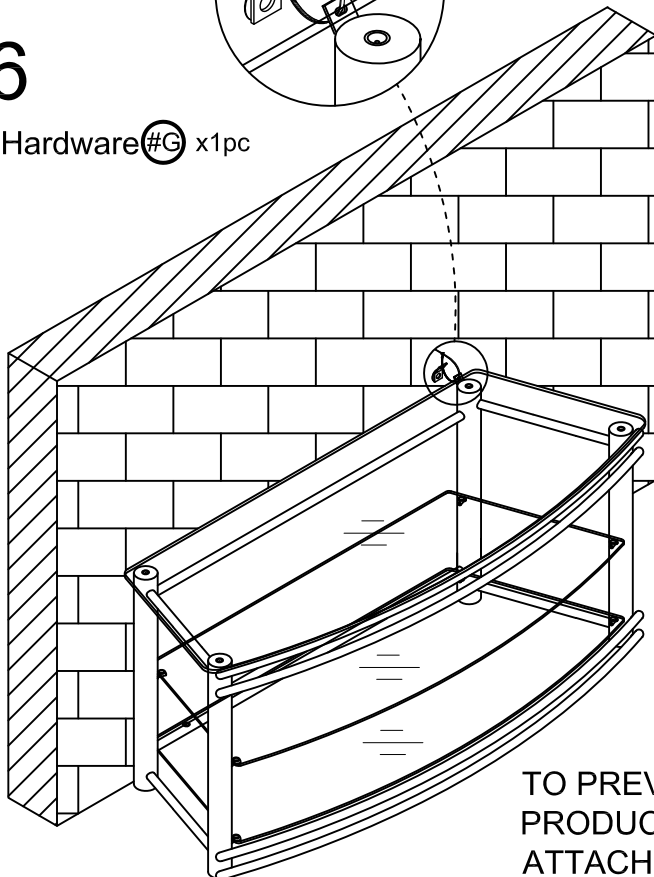
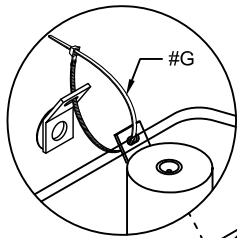
Hardware **#H** x1pc



Locate the anchors (F), bracket (#E) on the wall over a wall stud and 2 inches below the bracket (#E) secured to the back of tv stand. Attach the wall stud using the screw (#H) provided, through the smaller hole.

6

Hardware **#G** x1pc



Place the furniture into position so both brackets (#E) are vertically in line. Lace the end of the restraint strap (#G) through the larger hole in each bracket (#E). Bring both ends together and slide the flat end through the locking end and draw it through until all slack is removed. Confirm that the strap is securely laced and locked.

ASSEMBLY COMPLETED



Please ensure the furniture rests on an even and flat surface. If the product wobbles or feels loose, double-check all bolts and/or screws are properly tightened and secured.



Keep this handy!

Please retain this instruction manual and any order-related information for future reference.



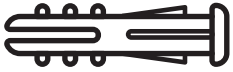
Lift, don't drag!

To avoid damage to product please always LIFT the product when transporting or adjusting the placement.

TO PREVENT TIP OVER
PRODUCT MUST BE
ATTACHED TO WALL

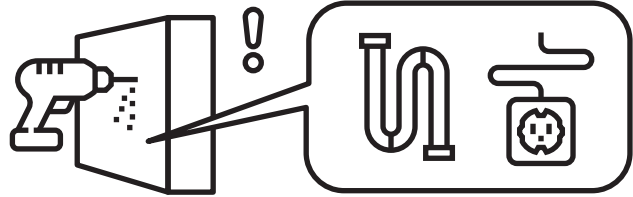
ASSEMBLY INSTRUCTIONS

Wall Mounting and Fixing



EXPANSION WALL ANCHOR

Our provided expansion wall anchors are only suitable for masonry walls, such as drywall, plaster or concrete, and are best for holding lightweight items or for anti-tip prevention. If you are unsure of the correct wall anchor to use with the product, please request professional guidance. Liability for product damage or failure due to using the incorrect anchors will fall on the installer.

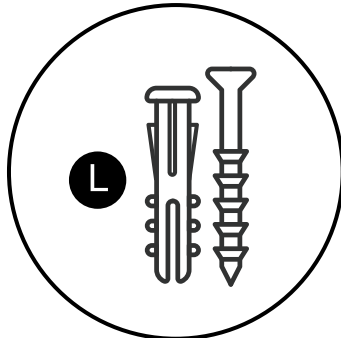


CHECK BEFORE PROCEEDING

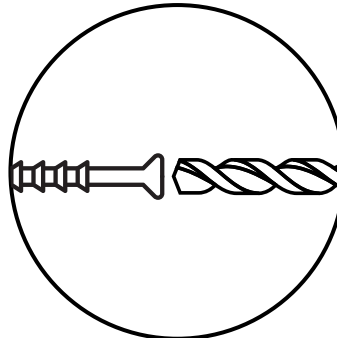
Prior to drilling or hammering, please check for wires or pipes. We recommend using a stud finder to locate a stud, which will offer more appropriate resistance and hold more weight.

QUICK TIPS

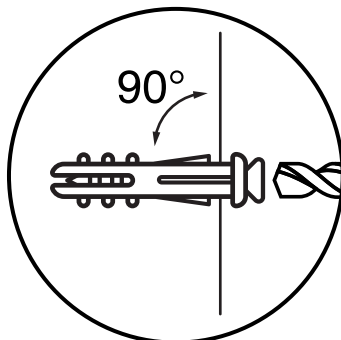
1. If unsure of the proper size, always choose a larger screw and wall anchor.



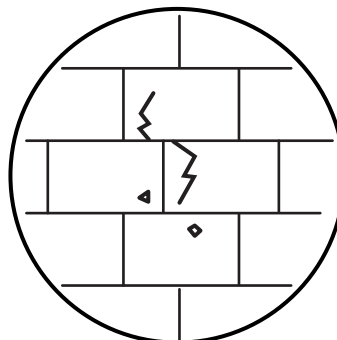
2. Match the drill bit to the wall anchor and hole size.



3. Only drill horizontally. Do not force the drill or enlarge the hole for the wall anchor.



4. Take extra care when drilling into high walls or ceramic tiles. Wall anchors should be a tight fit for the hole. Never use wall anchors in ceilings.



MAINTENANCE



We recommend a yearly check to see if the wall anchor or screw has loosened. If so, please remove the existing wall anchor and screw, and use a new anchor.