



**Furniture of America**<sup>®</sup>

E-Commerce by Enitial Lab

# ASSEMBLY INSTRUCTIONS

MODEL #

**CM4241E**

Questions?

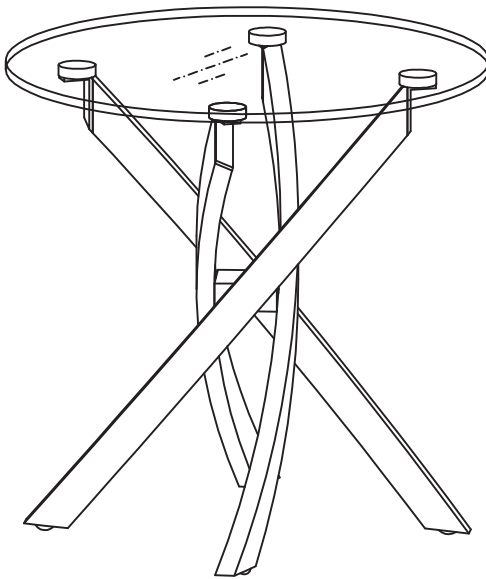
GIVE US CALL: 1-888-980-5122  
MON-FRI 8:30AM - 5:30PM (PST)

## TOOLS REQUIRED



Allen Wrench

(Included)



2 - Persons  
Recommended

## ASSEMBLY RATING



EASY —————> DIFFICULT

The Assembly Rating is a 5-point system showing the level of effort needed to assemble a specific product.



FOA Intro

Thank you for your purchase!


We hope you enjoy this new addition to your home for many years to come.

Our commitment to providing quality products does not simply end when you purchase our product. We fully stand behind our products from start to finish. Our customer service department is available Monday – Friday 8:30 AM – 5:30 PM Pacific and can help with assembly questions as well as, if necessary, replacing damaged or missing parts. To help expedite our service, please have these assembly instructions readily available, along with your order receipt.

 **Consumer Hotline**  
Toll-Free 1-888-980-5122

 **WEBSITE**  
[www.foagroup.com](http://www.foagroup.com)

    foagroup

 **Monday to Friday**  
8:30AM- 5:30PM (PST)

 **E-MAIL**  
[cs.ec@foagroup.com](mailto:cs.ec@foagroup.com)

 FurnitureOfAmerica

---

## CHECK BEFORE STARTING

**Are you missing anything?**

Double-check all parts, hardware and accessories listed on Page 6 are accounted for.

**Should we send any replacements?**

Are there any irregularities or flaws in the parts? We can send replacements!

**Check out our Quick Tips!**

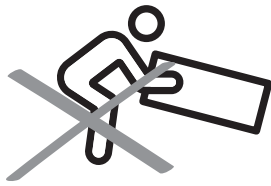
We recommend reviewing the pre-assembly handouts. Even experts need a refresher now and then!

**Prep Time!**

Please review the assembly instructions and all diagrams prior to assembling. Arrange parts as recommended on Page 7 and group identical hardware together to make assembling easier.

# PRE ASSEMBLY INTRODUCTION

We understand building ready-to-assemble furniture can be a challenging experience for some. To help avoid confusion, we have provided some helpful tips that may speed up the process.



## Teamwork

ALWAYS have at least two people to help with transporting and assembling the product to avoid potential injury and/or damage.



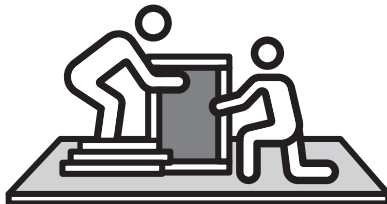
## Suitable Location

Assembling near the area of the intended location is highly recommended.



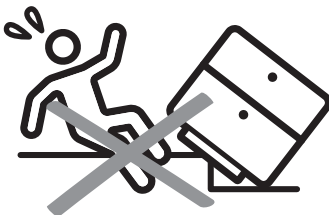
## Sufficient Space

Make sure you have enough space to move around during the assembly.



## Avoid Scratches

Use cardboard, blankets or a carpeted area while assembling furniture to prevent scratches.



## Flat Surface

Make sure the furniture rests on a flat and level surface with each leg evenly touching the floor.

# ASSEMBLY AND CARE ADVICE



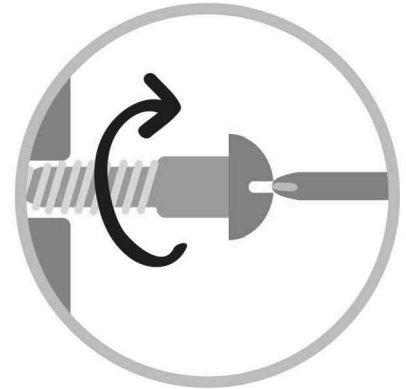
**FAILURE TO FOLLOW THE GUIDELINES BELOW MAY RESULT IN INJURY AND/OR PROPERTY DAMAGE.**



Position each part correctly and insert screws or bolts into their respective holes.



Use the appropriate hand tools or power tools for assembly. Select steps, such as tightening screws and/or bolts, may require hand tools to avoid causing damage during assembly.



Turn clockwise to tighten and only tighten when step is completed or when instructed to do so.



Save the instructions and store any supplied tools for later maintenance.

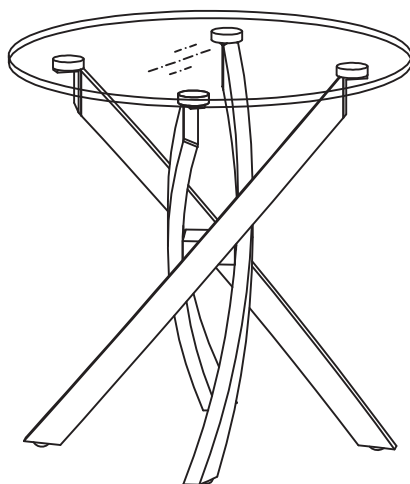
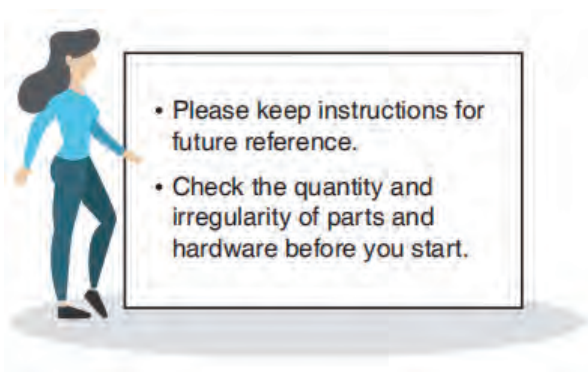


After two weeks, check and tighten any loose hardware and repeat again every six months thereafter.

**IT IS THE USER'S RESPONSIBILITY TO MAINTAIN THE FURNITURE. THE HARDWARE MAY LOOSEN OVER TIME AND MAY CAUSE THE FURNITURE TO BE WOBBLY AND UNABLE TO SUPPORT ITS INTENDED WEIGHT CAPACITY. THIS MAY LEAD TO COLLAPSE AND MAY CAUSE SERIOUS INJURY.**

# END TABLE

CM4241E



## PARTS

#1 4pcs



Leg

#2 1pc



Box

#3 1pc



Glass Top

## HARDWARE

#A 4pcs



Bolt 1/4"x1"

#B 4pcs



Flat Washer

#C 4pcs



Lock Washer

#D 4pcs



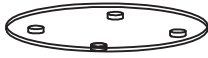







Bolt 1/4"x1/2"

#E 1pc



Allen Wrench M4

# CM4241E Points 2 cartons

Carton	Designation	Part	Hardware
CM424 E -1	Glass Top		
CM4241E -2	Leg		<div style="display: flex; flex-direction: column; gap: 10px;"> <div data-bbox="1150 786 1469 842"> <span>#A</span>  4pcs                 </div> <div data-bbox="1150 887 1469 943"> <span>#B</span>  4pcs                 </div> <div data-bbox="1150 987 1469 1043"> <span>#C</span>  4pcs                 </div> <div data-bbox="1150 1088 1469 1144"> <span>#D</span>  4pcs                 </div> <div data-bbox="1150 1189 1469 1245"> <span>#E</span>  1pc                 </div> </div>
	Box		

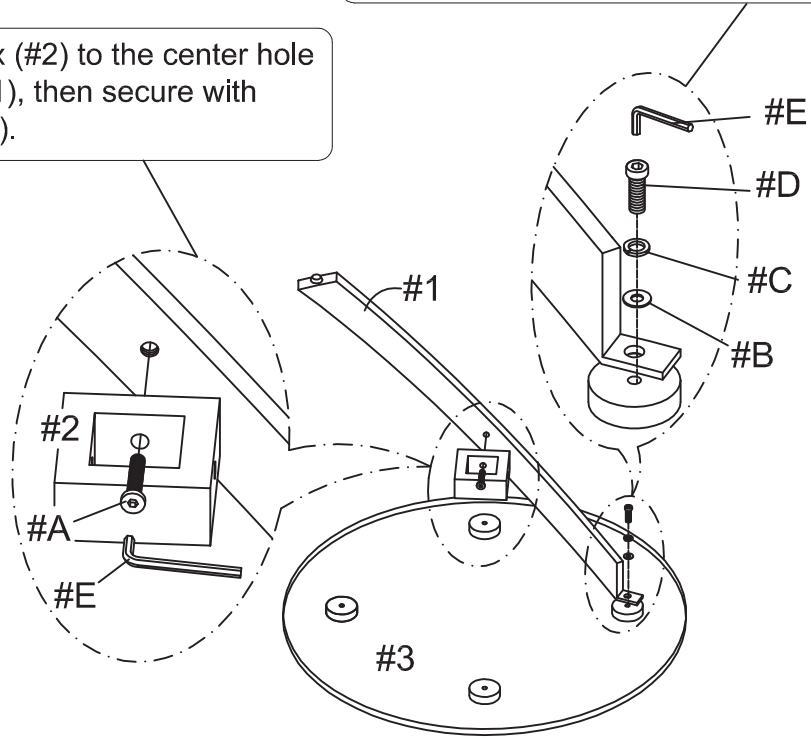
# ASSEMBLY INSTRUCTIONS

## 1

- Part #1 x1pc
- Part #2 x1pc
- Part #3 x1pc
- Hardware #A x1pc
- Hardware #B x1pc
- Hardware #C x1pc
- Hardware #D x1pc

Align box (#2) to the center hole of leg (#1), then secure with bolts (#A).

Align leg (#1) to the holes of the glass top (#3), then secure with bolts (#D) that contains a lock washer (#C) and flat washer (#B).

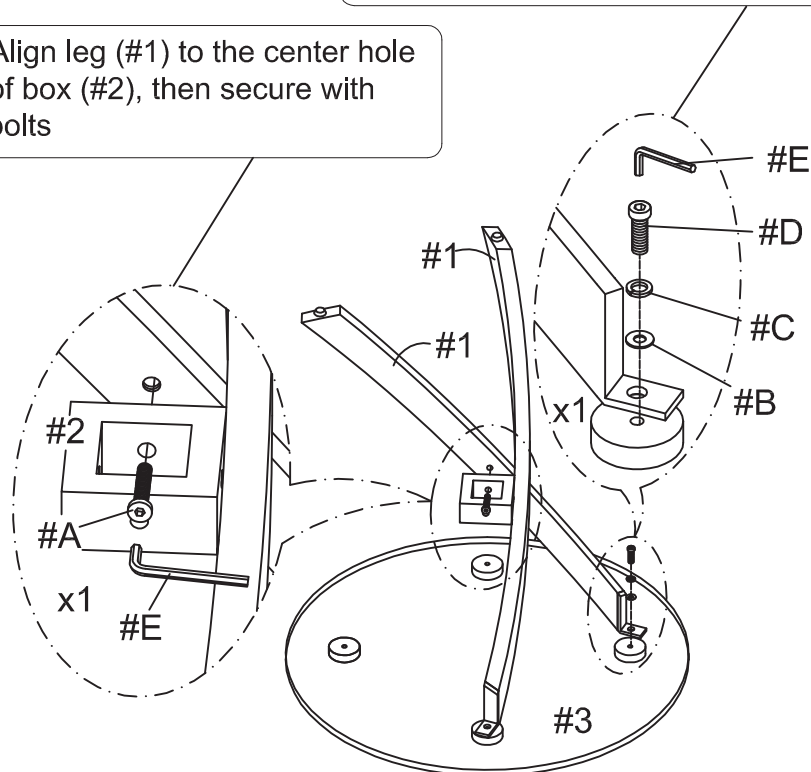


## 2

- Part #1 x1pc
- Hardware #A x1pc
- Hardware #B x1pc
- Hardware #C x1pc
- Hardware #D x1pc

Align leg (#1) to the center hole of box (#2), then secure with bolts

Align leg (#1) to the holes of the glass top (#3), then secure with bolts (#D) that contains a lock washer (#C) and flat washer (#B).



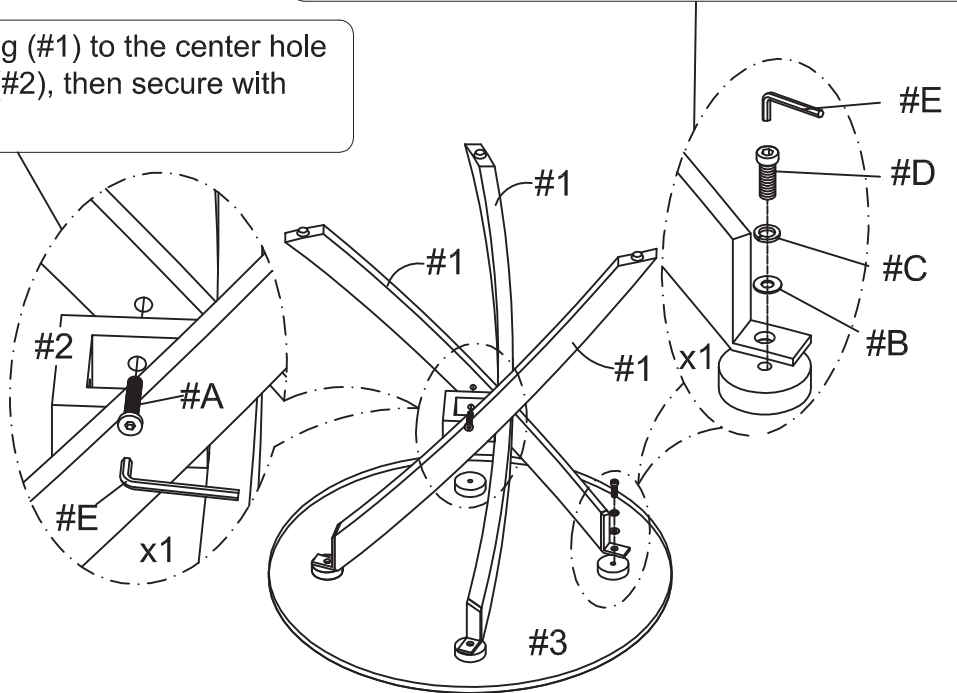
# ASSEMBLY INSTRUCTIONS

## 3

- Part #1 x1pc
- Hardware #A x1pc
- Hardware #B x1pc
- Hardware #C x1pc
- Hardware #D x1pc

Align leg (#1) to the center hole of box (#2), then secure with bolts

Align leg (#1) to the holes of the glass top (#3), then secure with bolts (#D) that contains a lock washer (#C) and flat washer (#B).

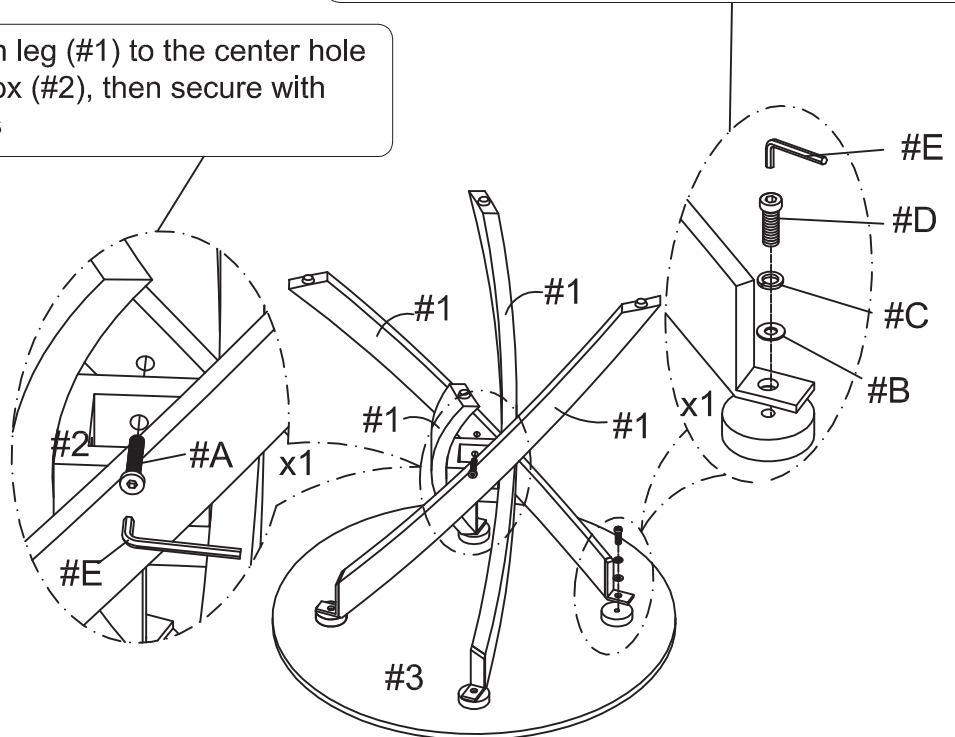


## 4

- Part #1 x1pc
- Hardware #A x1pc
- Hardware #B x1pc
- Hardware #C x1pc
- Hardware #D x1pc

Align leg (#1) to the center hole of box (#2), then secure with bolts

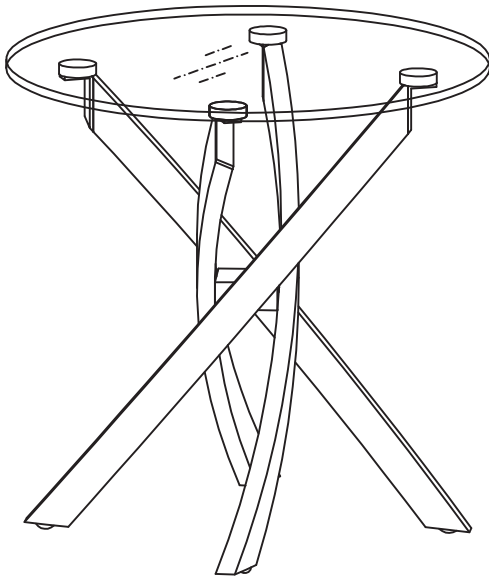
Align leg (#1) to the holes of the glass top (#3), then secure with bolts (#D) that contains a lock washer (#C) and flat washer (#B).





# ASSEMBLY INSTRUCTIONS

5



## ASSEMBLY COMPLETED



Please ensure the furniture rests on an even and flat surface. If the product wobbles or feels loose, double-check all bolts and/or screws are properly tightened and secured.



### Keep this handy!

Please retain this instruction manual and any order-related information for future reference.



### Lift, don't drag!

To avoid damage to product please always LIFT the product when transporting or adjusting the placement.